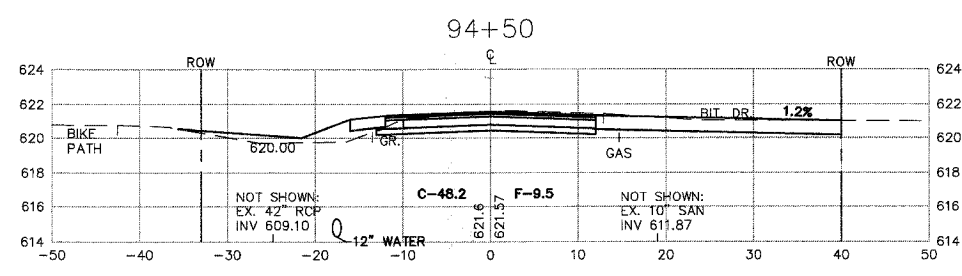
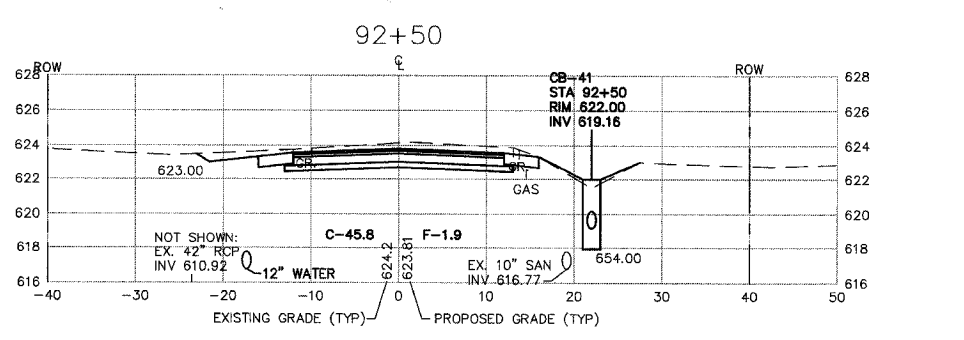
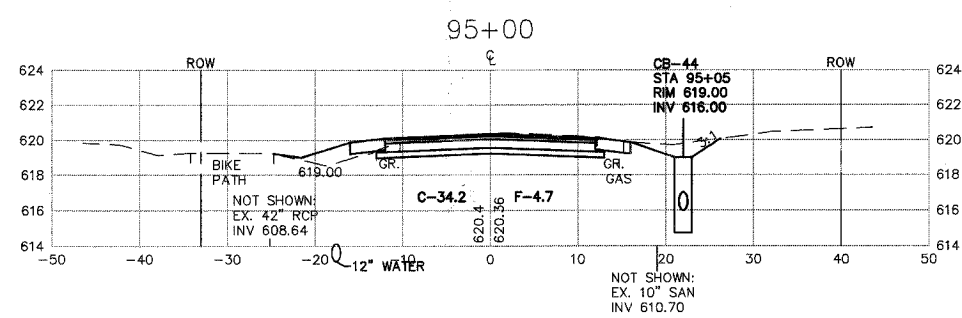
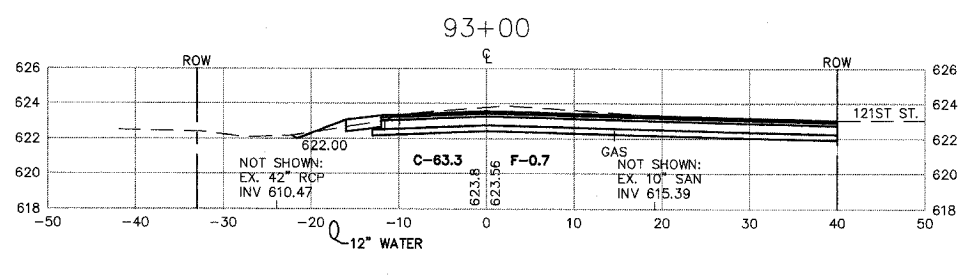
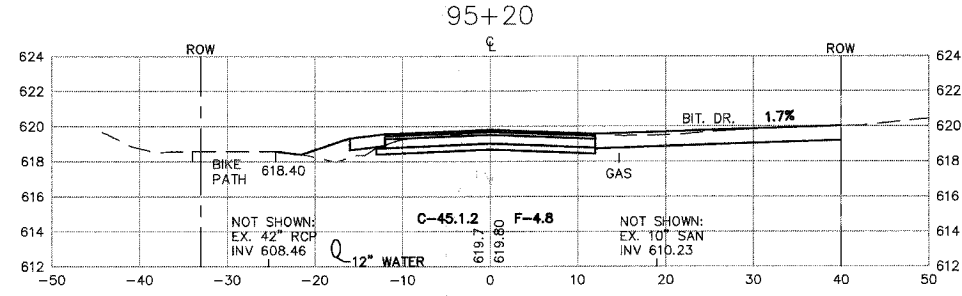
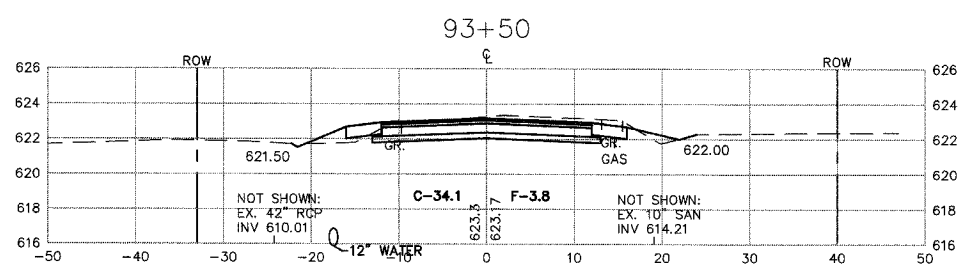
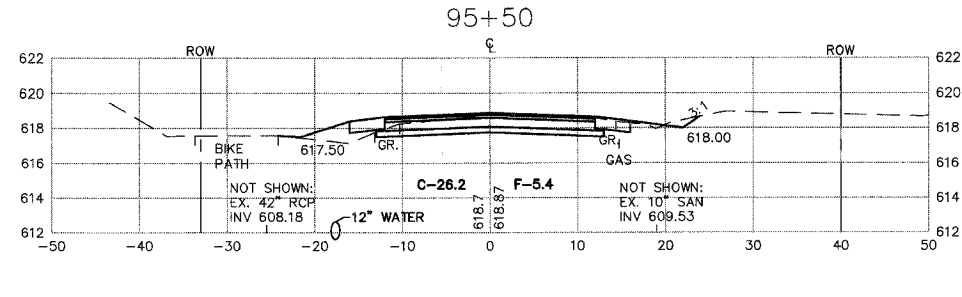
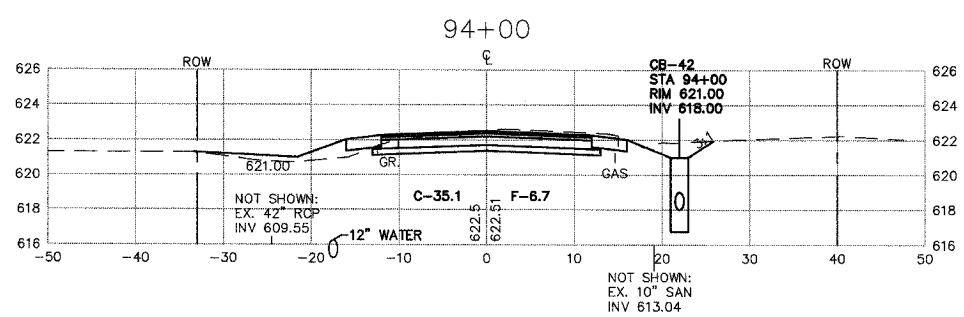
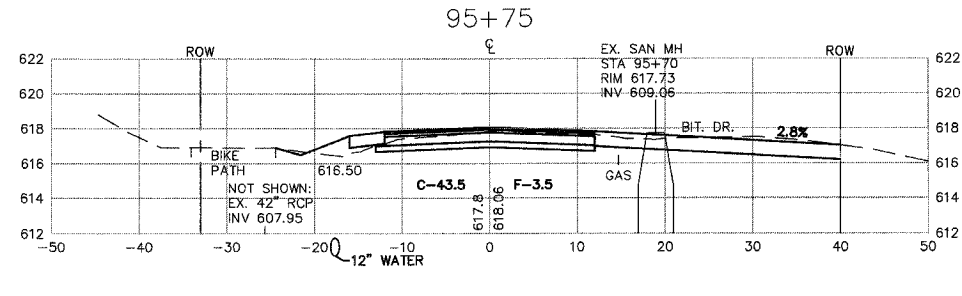
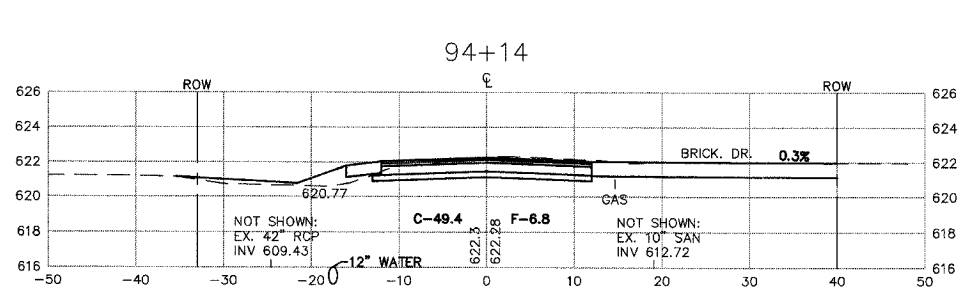


FAU RTE.	SECTION	COUNTY	TOTAL SHEETS	SHEET NO.
3791	02-00037-00-WR	COOK	40	37
F.H.W.A. REG.	ILLINOIS	PROJECT:		
83957				



PLOT DATE: Sep 03, 2007
 FILENAME: H:\04-PH\00037\PLANS-ENG\REV-3\DWG\SHEET-XSECS.dwg

MORRIS ENGINEERING, INC.

5100 LINCOLN AVE LISLE, ILLINOIS 60532
 PHONE: (630)271-0770 • WEBSITE: ECIVIL.COM
 LOCATION: H:\04-PH\00037\PLANS-ENG\REV-3\DWG\SHEET-XSECS.dwg
 DRAWN BY: CJS DESIGN BY: RAC CHECKED BY: JJV
 JOB NO.: 04-PH-3003 SCALE: 1"=10' H 1"=5' V

76TH AVENUE RECONSTRUCTION
127TH STREET TO ILLINOIS ROUTE 83
CROSS SECTIONS
STA. 92+50 TO STA. 95+75

DATE	REVISIONS	BY	SHEET
1 5-09-07	PER IDOT REVIEW	RAC	37 OF 40 SHEETS
2 5-24-07	PER IDOT REVIEW	RAC	
3 9-04-07	PER IDOT REVIEW	RAC	
4			