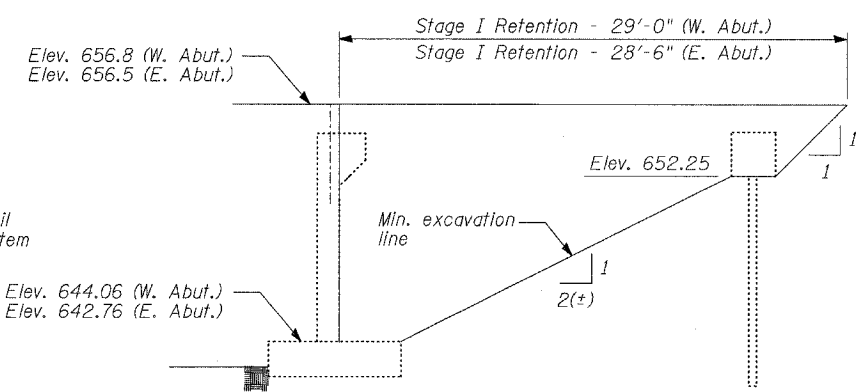
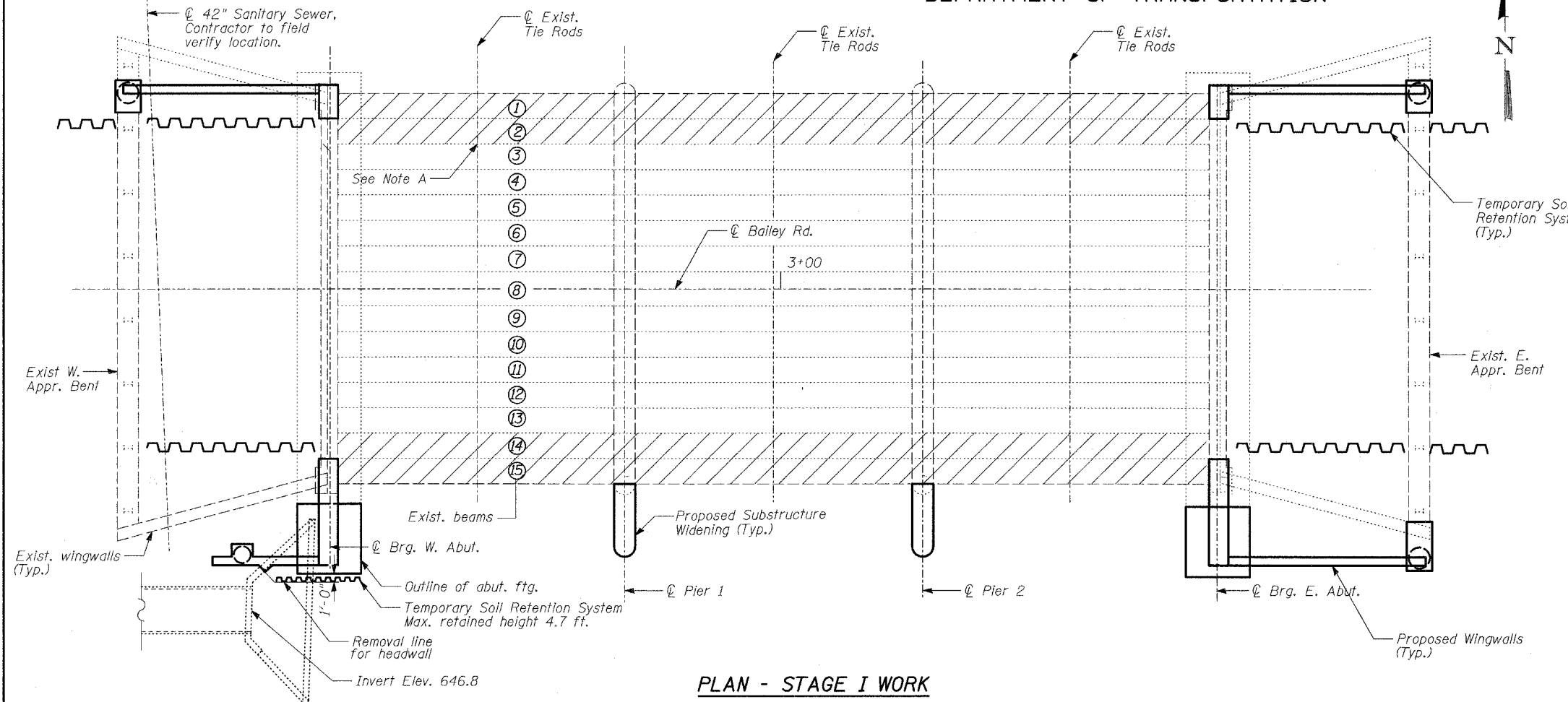


STATE OF ILLINOIS  
DEPARTMENT OF TRANSPORTATION

ROUTE NO.	SECTION	COUNTY	SHEET NO.	SHEET NO. - 4
1545	*	DUPAGE	97	25
FED. ROAD DIST. NO.		ILLINOIS	FED. AID PROJECT	39 - SHEETS
00-00115-00-BR		CONTRACT NO. 83961		



**PLAN - STAGE I WORK**

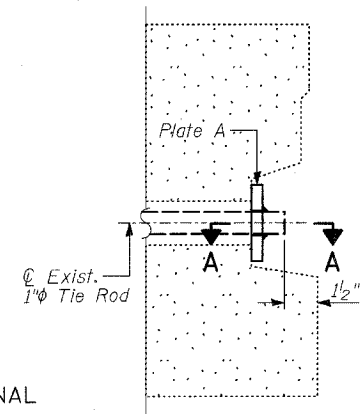
(Concrete Removal of Substructure Not Shown)

**TEMPORARY SOIL RETENTION SYSTEM**

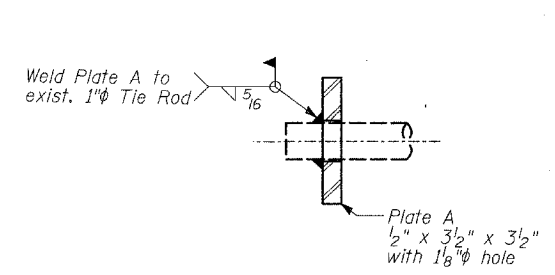
**NOTES**

1. A cantilevered sheet piling system does not appear feasible and additional members or other retention systems may be necessary. The Contractor shall submit a temporary soil retention system design including plan details and calculations for review and acceptance by the Engineer.
2. The Details shown at the Transverse Tie Rod Assemblies including the Concrete Removal at the existing Beams shall be included in the cost of "Removal of Existing Superstructures".

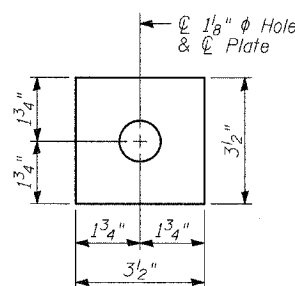
Note A:  
Existing tie rods to be cut, see Detail A this sheet.  
(Typ. at all tie rod locations between beam to be removed and beam to remain, 6 locations)



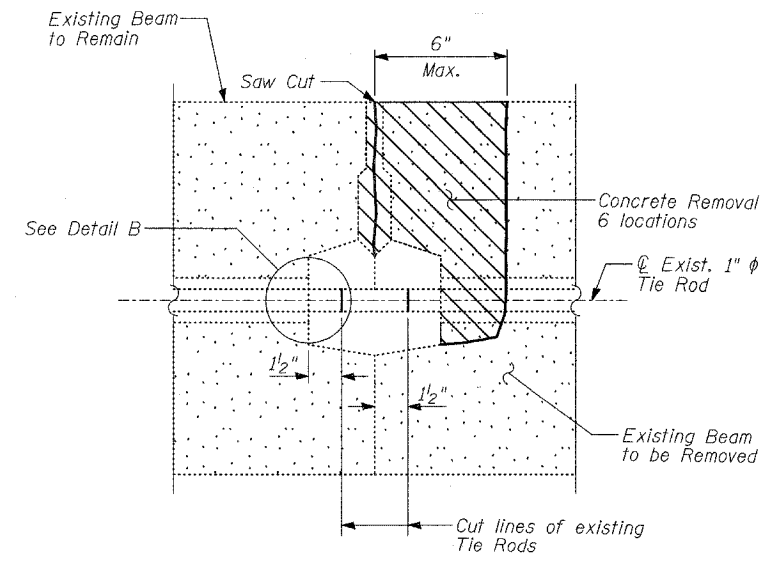
**DETAIL B**



**SECTION A-A**



**PLATE A**



**DETAIL A - BEAM REMOVAL DETAIL AT TRANSVERSE TIES**

**LEGEND**

Denotes Beam Removal

**TYLIN INTERNATIONAL**

DESIGNED	- SP
CHECKED	- PF
DRAWN	- SP, SNB
CHECKED	- PF

**STAGE CONSTRUCTION - I**

BAILEY ROAD OVER THE  
WEST BRANCH OF THE DUPAGE RIVER  
FAU 1545  
SECTION 00-00115-00-BR STA. 2+99.15  
DUPAGE COUNTY  
S.N. 022-3028