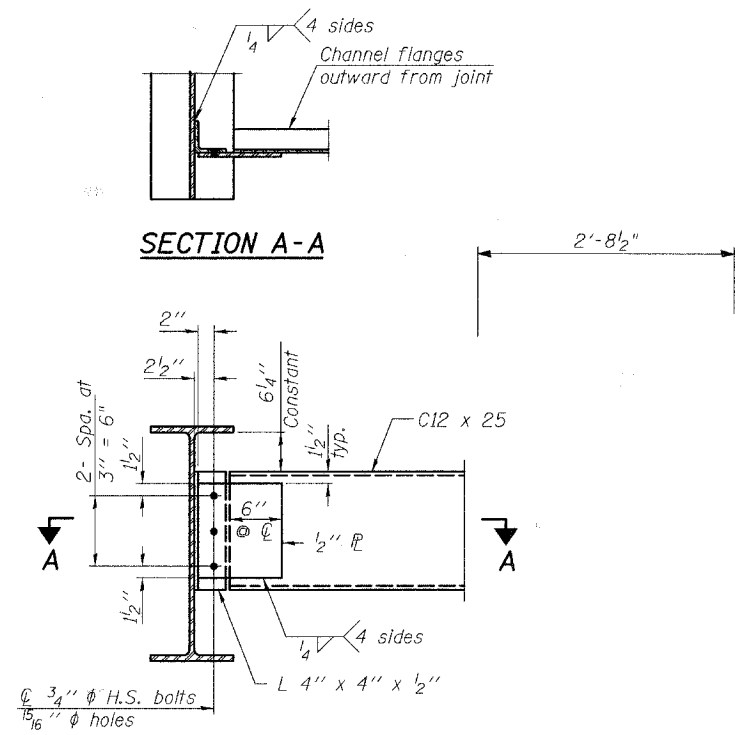


STATE OF ILLINOIS
DEPARTMENT OF TRANSPORTATION

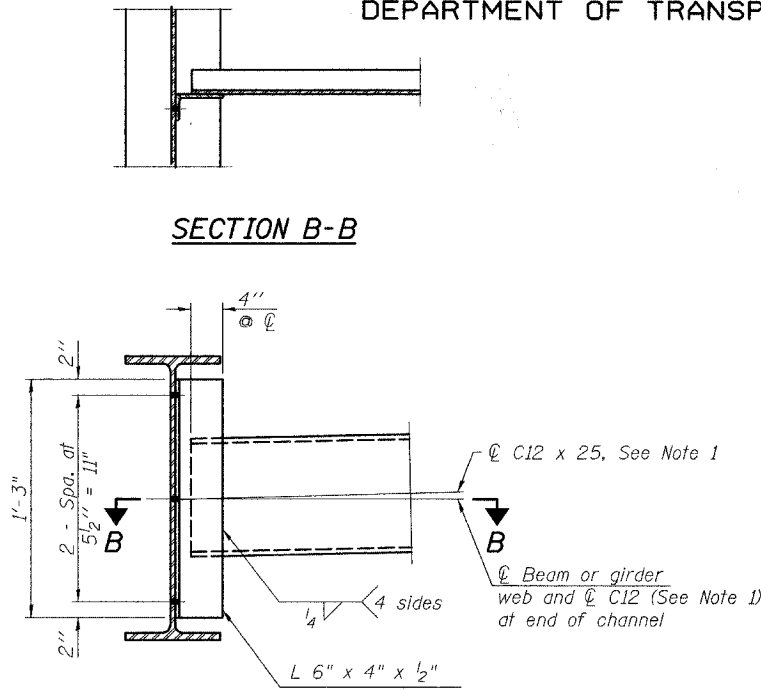
ROUTE NO.	SECTION	COUNTY	TOTAL SHEETS	SHEET NO.	SHEET NO. - 20 39 - SHEETS
1545	*	DUPAGE	97	41	
FED. ROAD DIST. NO.		ILLINOIS	FED. AID PROJECT		CONTRACT NO. 83961
			00-00115-00-BR		



END DIAPHRAGM - D2
(10 - D2 Required)

Notes:

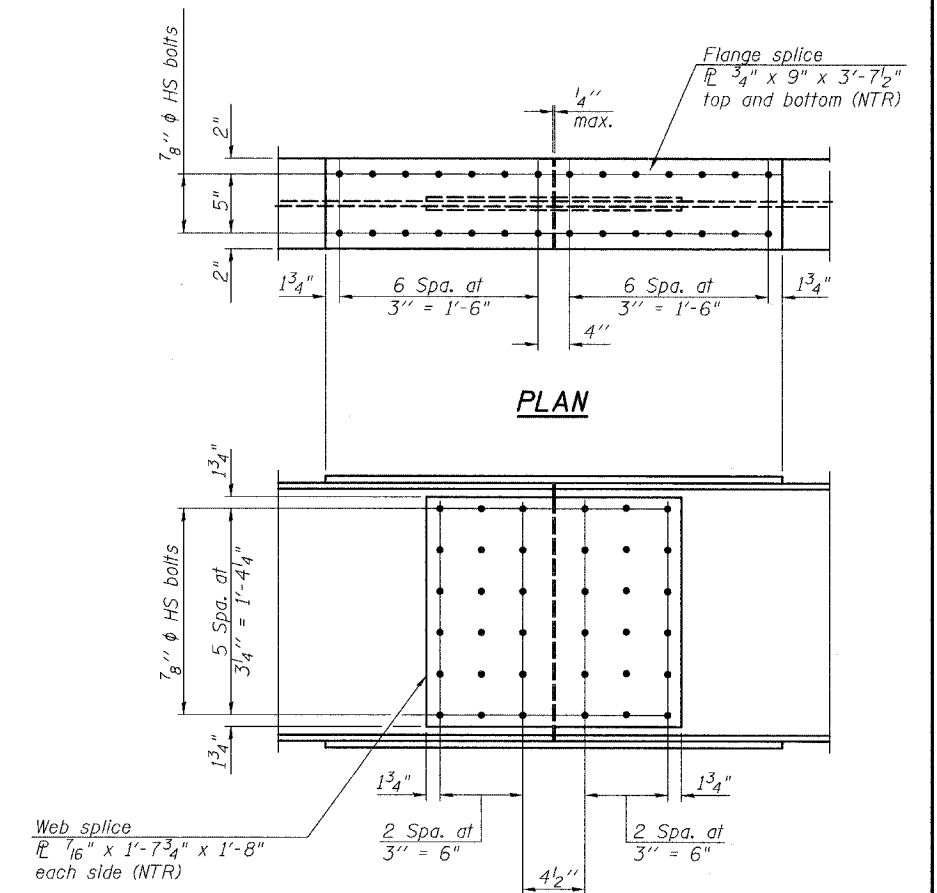
- 3/4" HS bolts, 15/16" holes
- Two hardened washers required for each set of oversized holes.



INTERIOR DIAPHRAGM - D1
(25 - D1 Required)

Notes:

- Alternate channels are permitted to facilitate material acquisition. Calculated weight of structural steel is based on the lighter section.
- 3/4" HS bolts, 15/16" holes
- Two hardened washers required for each set of oversized holes.



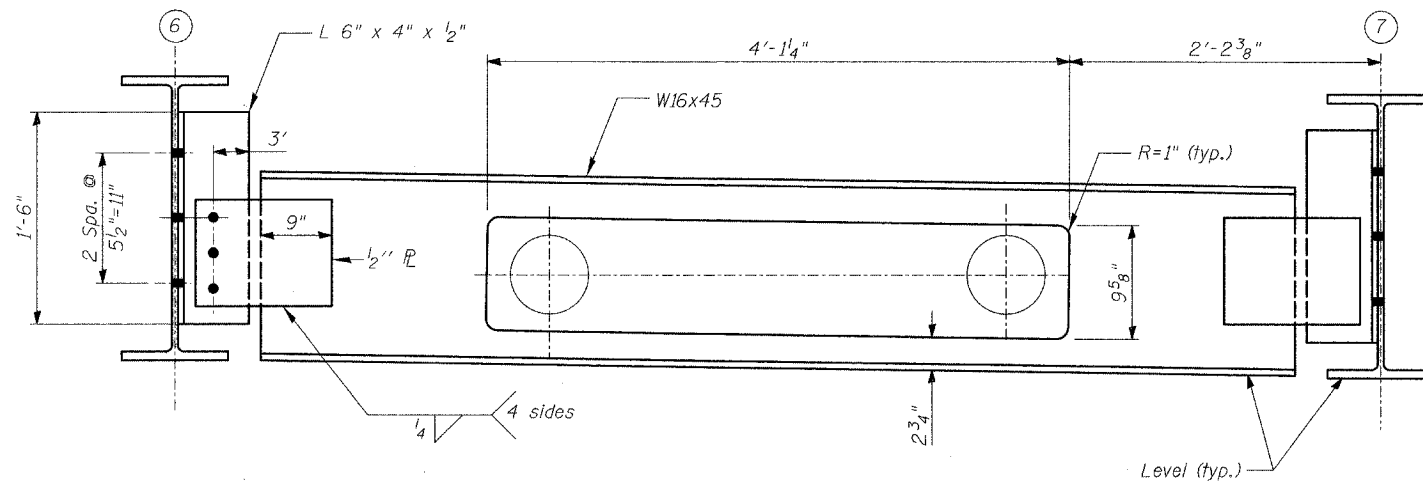
ELEVATION

SPLICE DETAIL
(7 - Required)

TOP OF BEAM ELEVATIONS

For Fabrication Only.

Beam	℄ Brg. W. Abut.	℄ Brg. Pier 1	℄ Brg. Pier 2	F.S.	℄ Brg. E. Abut.
Beam 1	657.00	657.01	657.03	657.03	657.01
Beam 2	657.13	657.15	657.16	657.16	657.14
Beam 3	657.27	657.28	657.29	657.29	657.27
Beam 4	657.27	657.28	657.29	657.29	657.27
Beam 5	657.13	657.15	657.16	657.16	657.14
Beam 6	657.00	657.01	657.02	657.03	657.00
Beam 7	656.87	656.88	656.89	656.89	656.87



DIAPHRAGM - D3
(7 - D3 Required)

Notes:

- 3/4" HS bolts, 15/16" holes
- Two hardened washers required for each set of oversized holes.

TYLIN INTERNATIONAL

DESIGNED	- PL
CHECKED	- SP
DRAWN	- PL
CHECKED	- SP

FRAMING DETAILS

BAILEY ROAD OVER THE
WEST BRANCH OF THE DUPAGE RIVER
FAU 1545
SECTION 00-00115-00-BR STA. 2+99.15
DUPAGE COUNTY
S.N. 022-3028