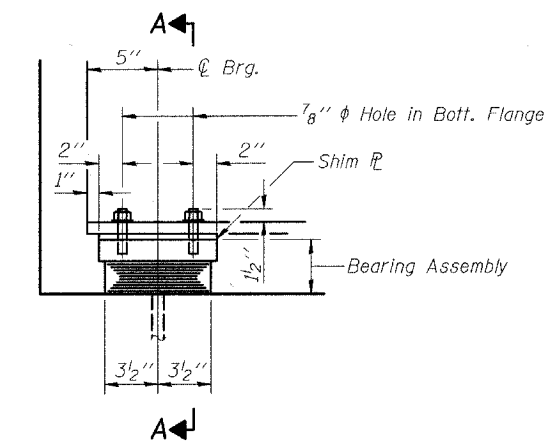
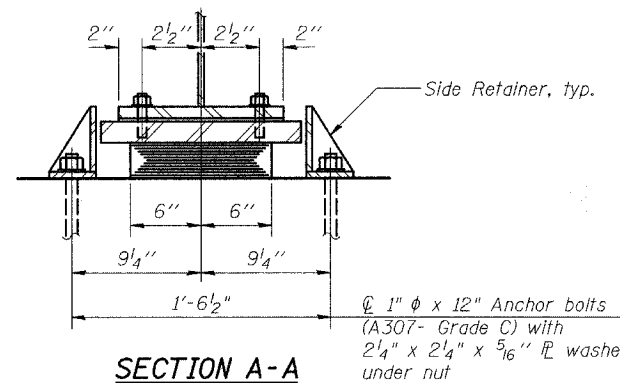


STATE OF ILLINOIS  
DEPARTMENT OF TRANSPORTATION

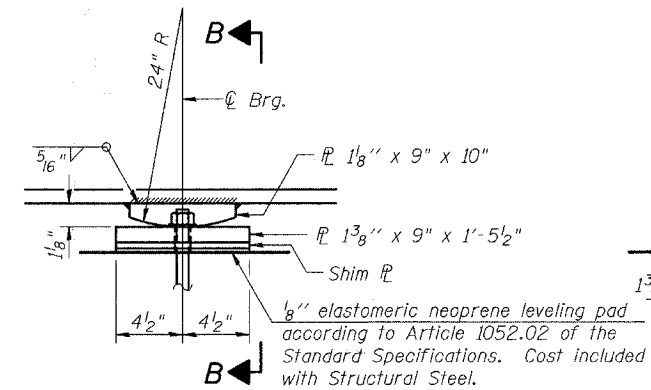
ROUTE NO.	SECTION	COUNTY	TOTAL SHEETS	SHEET NO.	SHEET NO. - 21
1545	*	DUPAGE	97	42	39 - SHEETS
FED. ROAD DIST. NO.	ILLINOIS	FED. AID PROJECT-	CONTRACT NO. 83961		
• 00-00115-00-BR					



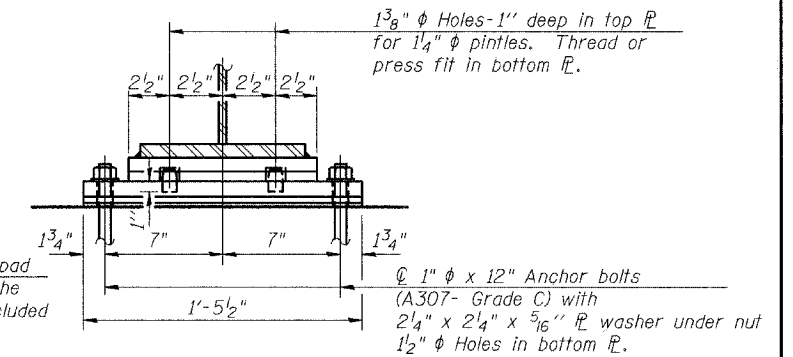
ELEVATION AT ABUT.



SECTION A-A



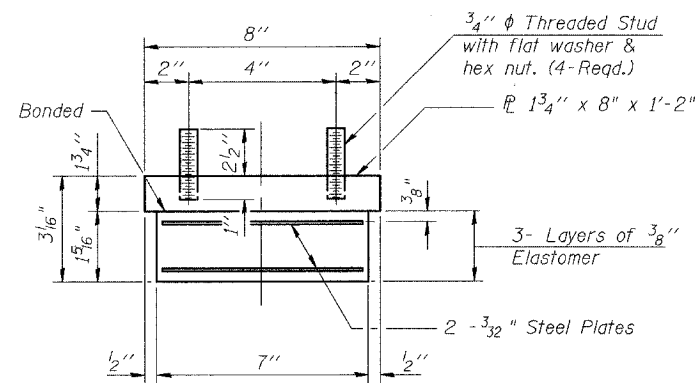
ELEVATION AT PIER



SECTION B-B

TYPE I ELASTOMERIC EXP. BRG.

FIXED BEARING



BEARING ASSEMBLY

Notes:

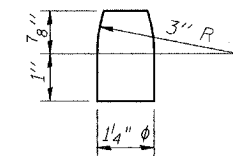
Anchor bolts shall be ASTM F1554 all-thread (or an Engineer-approved alternate material) of the grade(s) and diameter(s) specified. ASTM A307 Grade C anchor bolts may be used in lieu of ASTM F1554 Grade 36 (Fy=36ksi). The corresponding specified grade of AASHTO M314 anchor bolts may be used in lieu of ASTM F1554.

Anchor bolts at fixed bearings may be either cast in place or installed in holes drilled after the supported member is in place.

Anchor bolts for side retainers may be cast in place or installed in holes drilled before or after members are in place.

Drilled and set anchor bolts shall be installed according to Article 521.06 of the Standard Specifications.

Side retainers and other steel members required for the bearing assembly shall be included in the cost of Elastomeric Bearing Assembly, Type I.



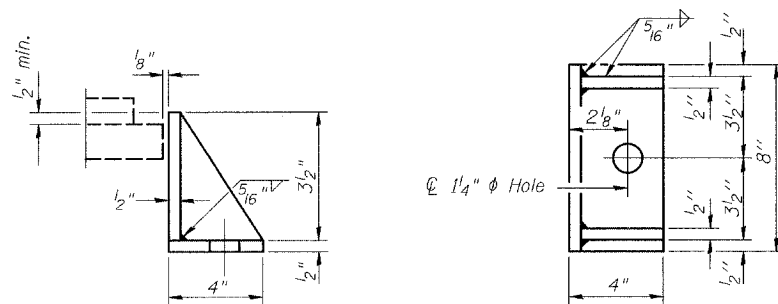
PINTLE

NOTES:

- The structural steel plates of the bearing assembly shall conform to the requirements of AASHTO M270 Grade 50W.
- Two 1/8 inch adjusting shims shall be provided for each bearing in addition to all other plates or shims and placed as shown on bearing details.
- Bearing plates, side retainers, anchor bolts, nuts, washers, and pintles shall be galvanized according to AASHTO M111 or M232.

Note:

Shim plates shall not be placed under Bearing Assembly.



SIDE RETAINER

Equivalent rolled angle with stiffeners will be allowed in lieu of welded plates.

TYLIN INTERNATIONAL

DESIGNED	- PL
CHECKED	SP
DRAWN	- PL
CHECKED	- SP

BILL OF MATERIAL

Item	Unit	Total
Elastomeric Bearing Assembly Type I	Each	14
Anchor Bolts, 1" $\phi$	Each	56

BEARINGS

BAILEY ROAD OVER THE  
WEST BRANCH OF THE DUPAGE RIVER  
FAU 1545  
SECTION 00-00115-00-BR STA. 2+99.15  
DUPAGE COUNTY  
S.N. 022-3028