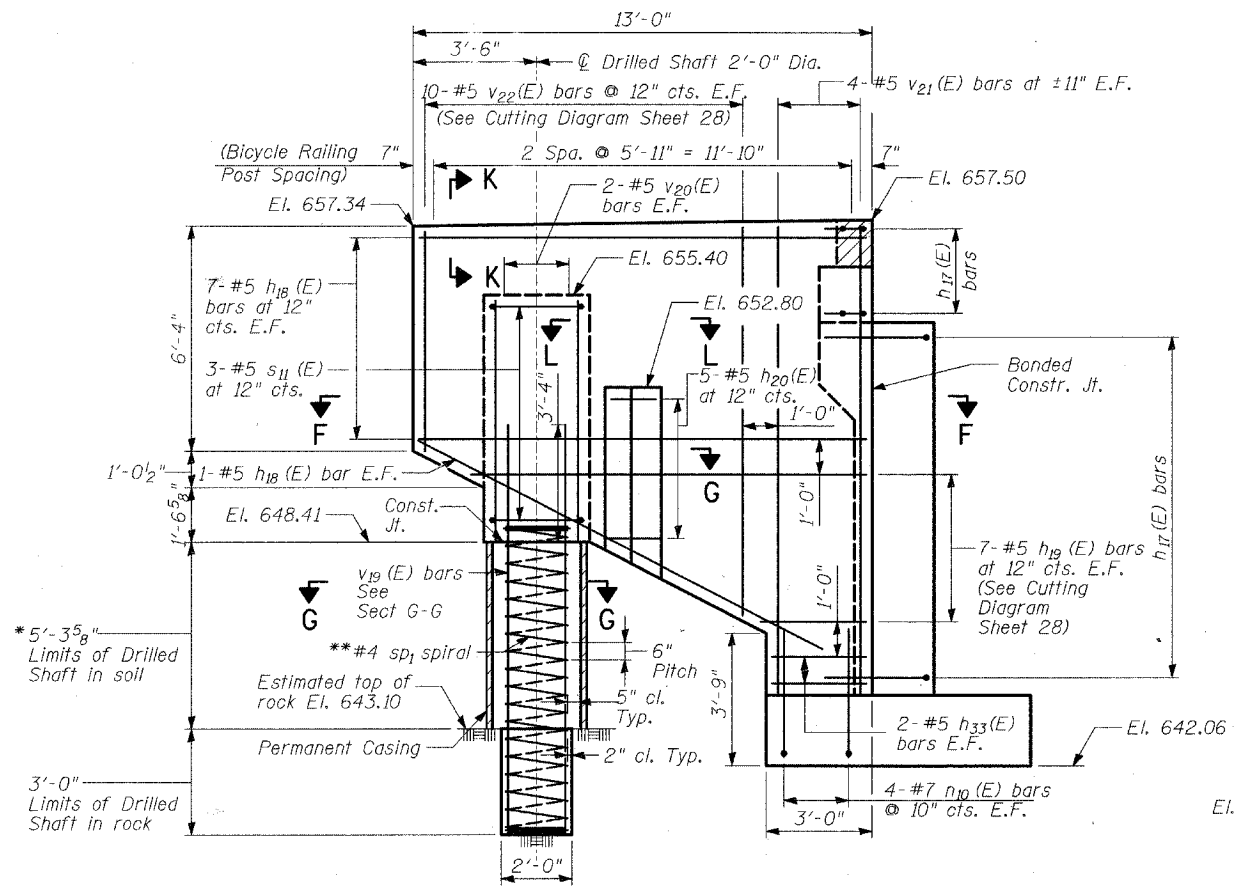
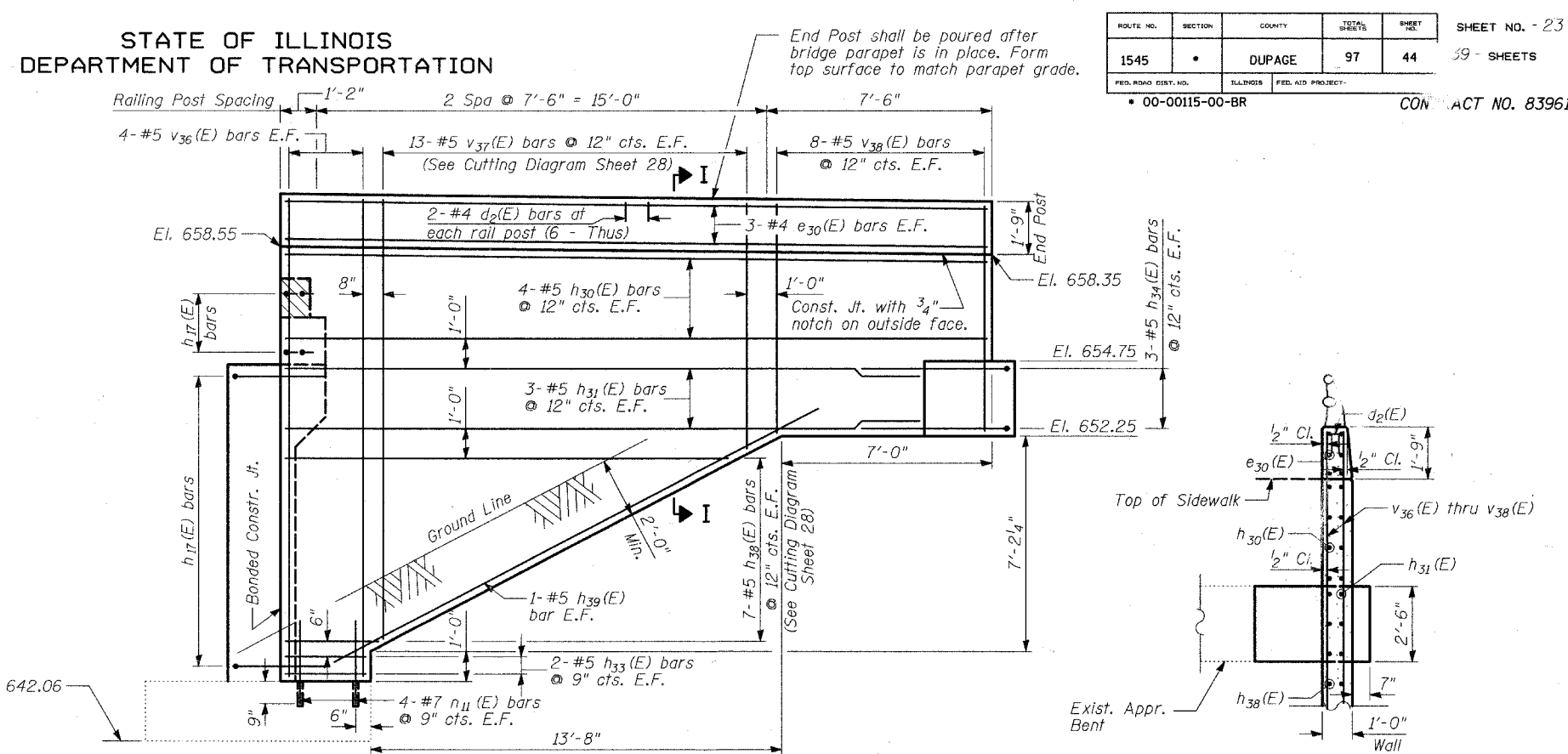


STATE OF ILLINOIS
DEPARTMENT OF TRANSPORTATION

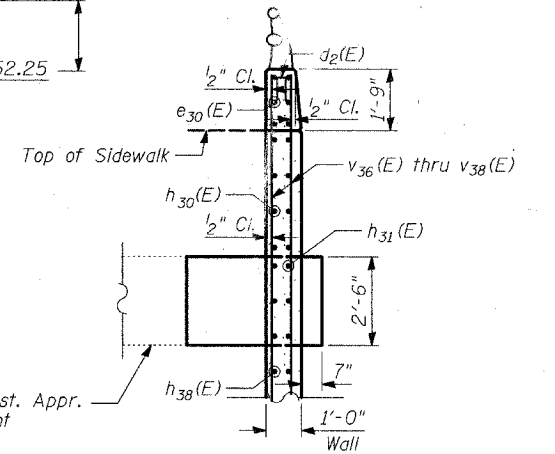
ROUTE NO.	SECTION	COUNTY	SHEETS	SHEET NO.	SHEET NO. - 23
1545	*	DUPAGE	97	44	39 - SHEETS
FED. ROAD DIST. NO.	ILLINOIS	FED. AID PROJECT	CONTRACT NO. 83961		
00-00115-00-BR					



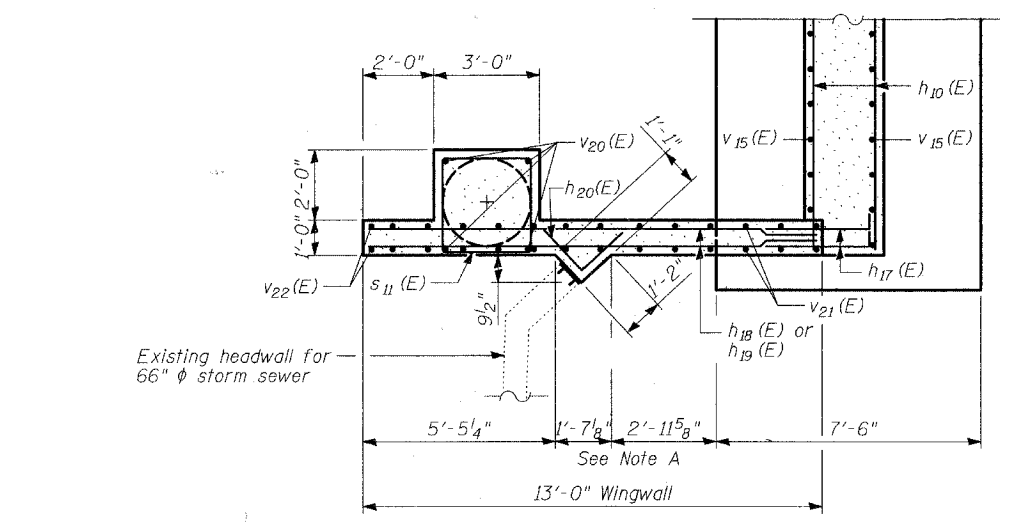
SOUTH CURTAIN WALL SIDE ELEVATION



NORTH CURTAIN WALL SIDE ELEVATION



SECTION I-I

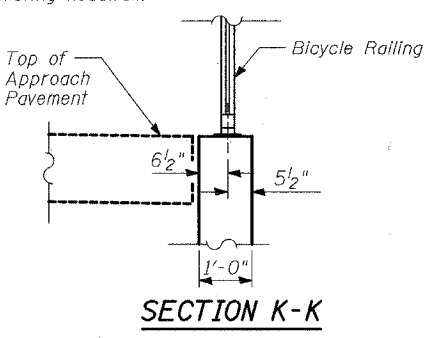


SECTION F-F

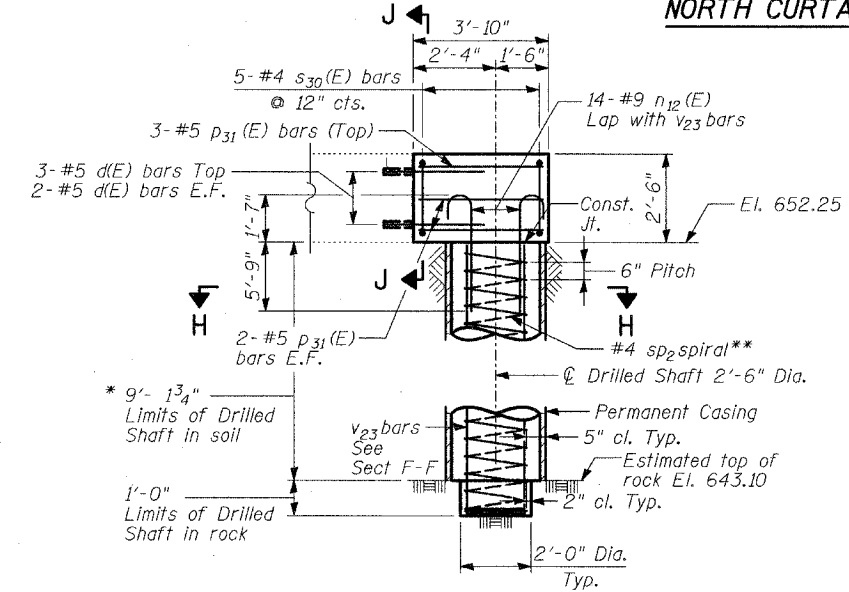
Note A:
Contractor to field verify location of existing headwall.
Adjust dimension in field if necessary.

TYLIN INTERNATIONAL

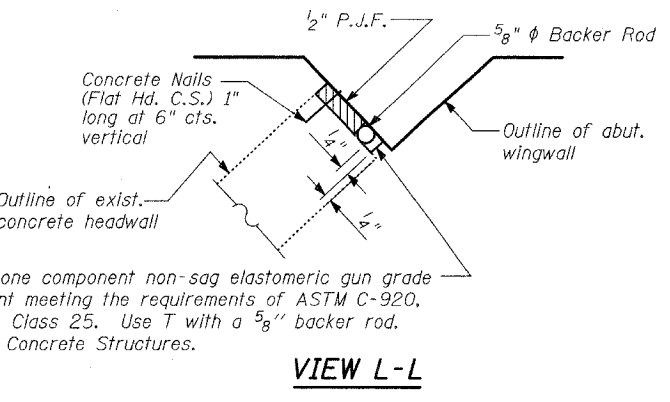
DESIGNED	PL, SNB
CHECKED	SP
DRAWN	PL, SNB
CHECKED	SP



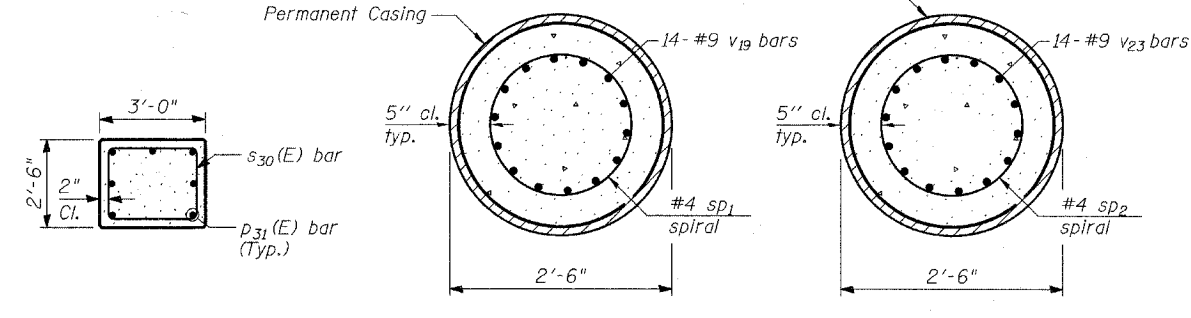
SECTION K-K



NORTH APPROACH BENT MODIFICATION



VIEW L-L



SECTION J-J

SECTION G-G

SECTION H-H

* The quantities and detailing are based on the estimated elevations shown on the plans. The actual elevations may differ at each shaft and corresponding adjustments shall be made to the drilled shaft and reinforcement quantities and payment limits.

** Provide 1 1/2 extra turns top and bottom of each drilled shaft. Extend spiral 2'' into abutment footing. Provide min. 4-#4 spacers or equivalent.

Notes:
Quantity of concrete in end post is included with concrete superstructure on Sheet 14.

WEST ABUTMENT CURTAIN WALLS

BAILEY ROAD OVER THE
WEST BRANCH OF THE DUPAGE RIVER
FAU 1545
SECTION 00-00115-00-BR STA. 2+99.15
DUPAGE COUNTY
S.N. 022-3028