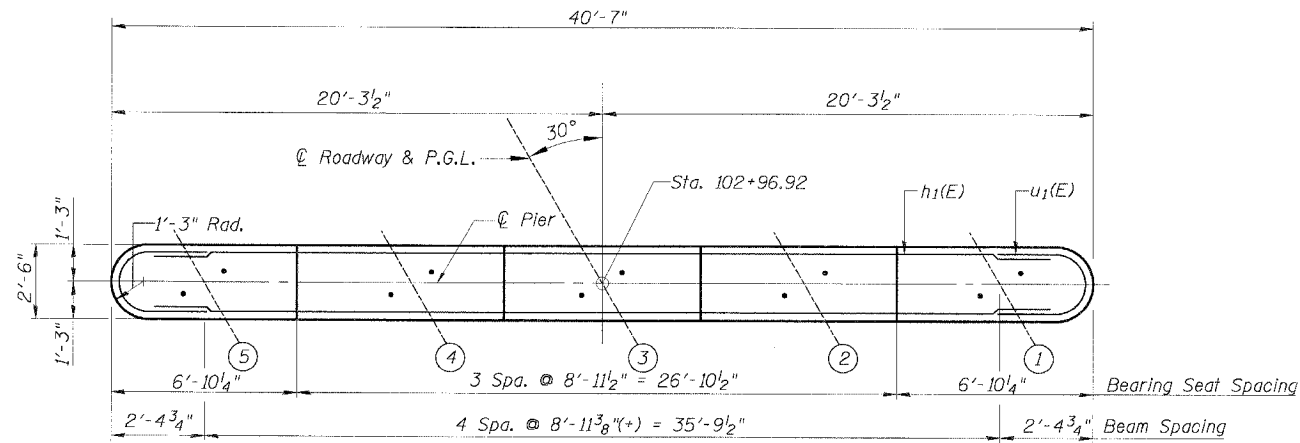
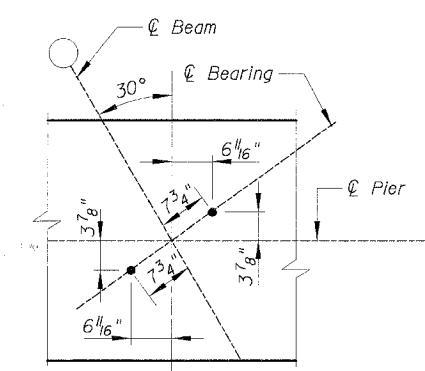


Notes: Space reinforcement in cap to miss anchor bolts.
Pour steps monolithically with cap.



TOP PLAN

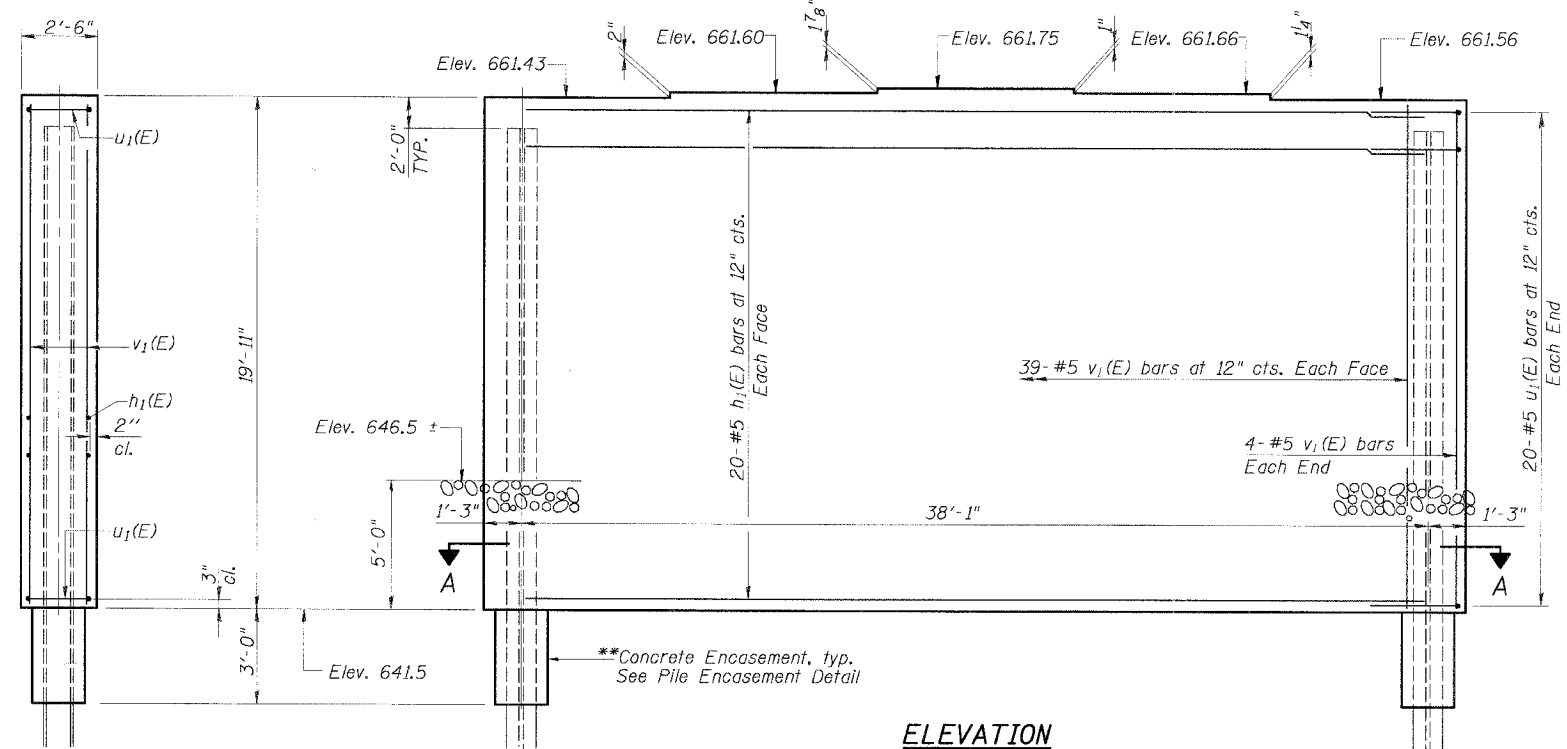


ANCHOR BOLT LAYOUT

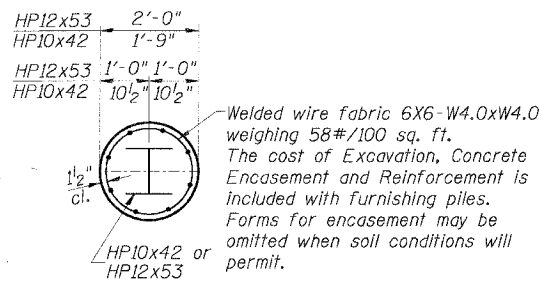
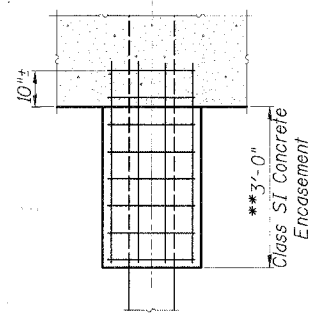
BILL OF MATERIAL

Bar	No.	Size	Length	Shape
h ₁ (E)	40	#5	38'-0"	—
u ₁ (E)	40	#5	9'-5"	⊂
v ₁ (E)	86	#5	19'-7"	—
Concrete Structures		Cu. Yd.	74.5	
Reinforcement Bars, Epoxy Coated		Pound	3,730	
Structure Excavation		Cu. Yd.	70	
Furnishing Steel		Foot	270	
Piles HP12x53		Foot	270	
Driving Piles		Foot	270	
Test Pile Steel HP12x53		Each	1	
Underwater Structure Excavation Protection Location 1		Each	1	
Pile Shoes		Each	5	

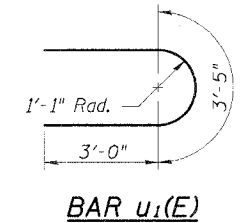
Reinforcement Bars designated (E) shall be epoxy coated.



ELEVATION
(Looking West)



PILE ENCASEMENT DETAIL

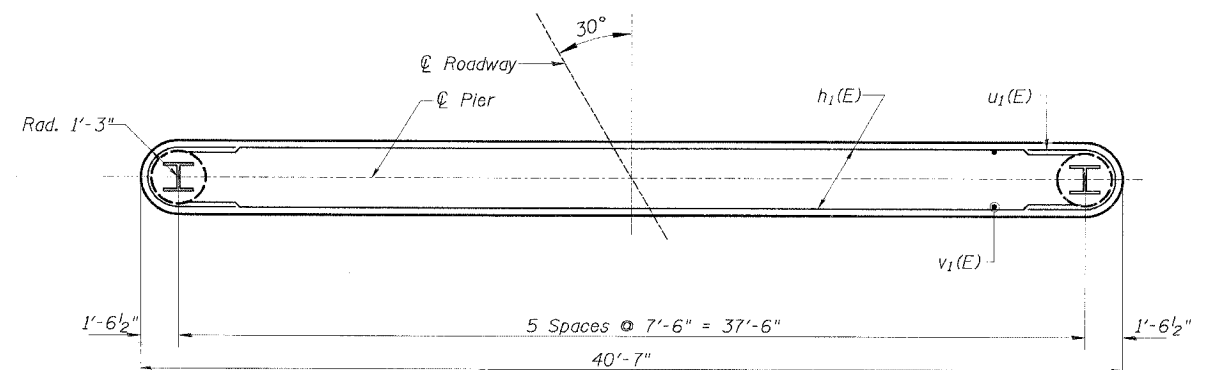


BAR u₁(E)

END VIEW

PILE DATA

Type: Steel HP12x53 with Pile Shoes
Nominal Required Brg.: 419 k
Factored Resistance Available: 209 k
Est. Length: 54'
No. of Production Piles: 5
No. of Test Piles: 1



SECTION A-A

**Forms shall be placed below Elevation 641.50 after excavation for Pier walls. Reinforcement and Concrete Encasement shall be poured underwater into forms. The cost of Concrete Encasement, Reinforcement, form excavation, and furnishing and placing forms is included with furnishing piles. If a portion of the pier wall is under water, concrete shall be trimmed under water into forms according to Article 503.08 of the Standard Specifications. Concrete shall be trimmed to an Elevation 1'-0" above the water level at the time of Construction.

PIER 1 - DETAIL
TIMBER EDGE DRIVE OVER SALT CREEK
DuPAGE COUNTY
F.A. ROUTE 7, SEC. 03-00019-00-BR
STATION 103+31.33
STRUCTURE NO. 022-6000

CHRISTOPHER B. BURKE ENGINEERING LTD.
9575 West Higgins Road, Suite 600
Rosemont, Illinois 60018

REVISIONS	NAME	DATE	DRAWING NUMBER
			S-13