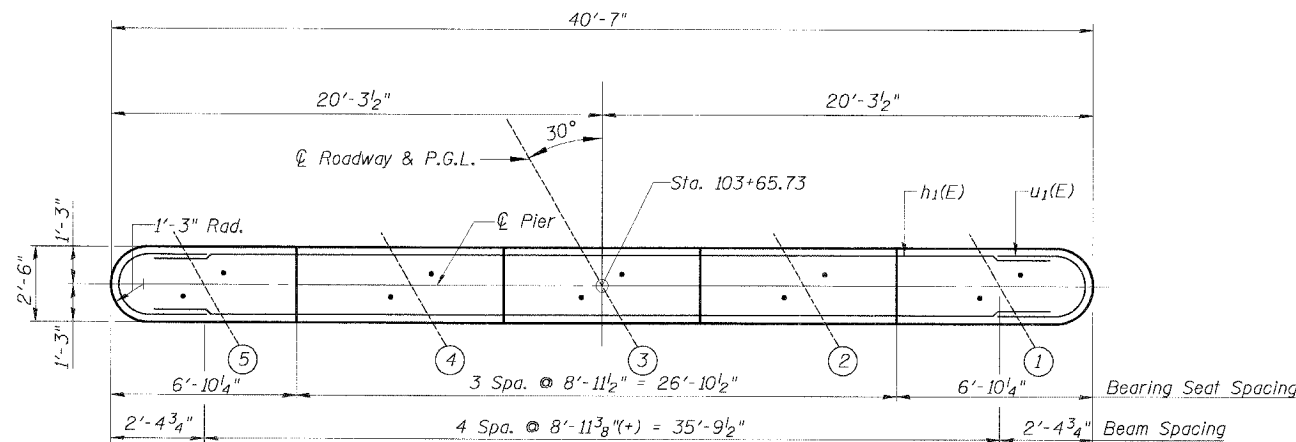
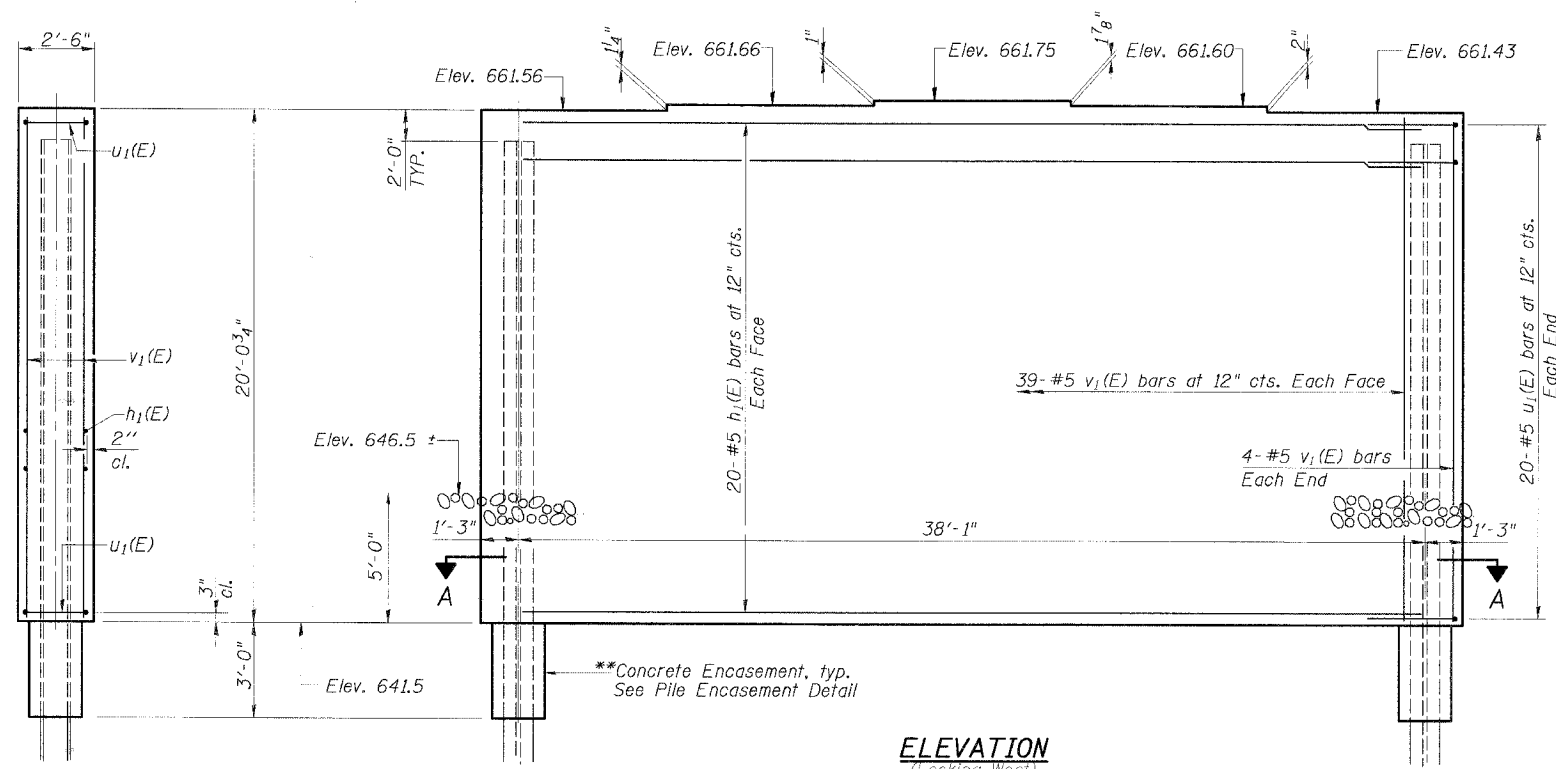


Notes: Space reinforcement in cap to miss anchor bolts.  
Four steps monolithically with cap.



TOP PLAN

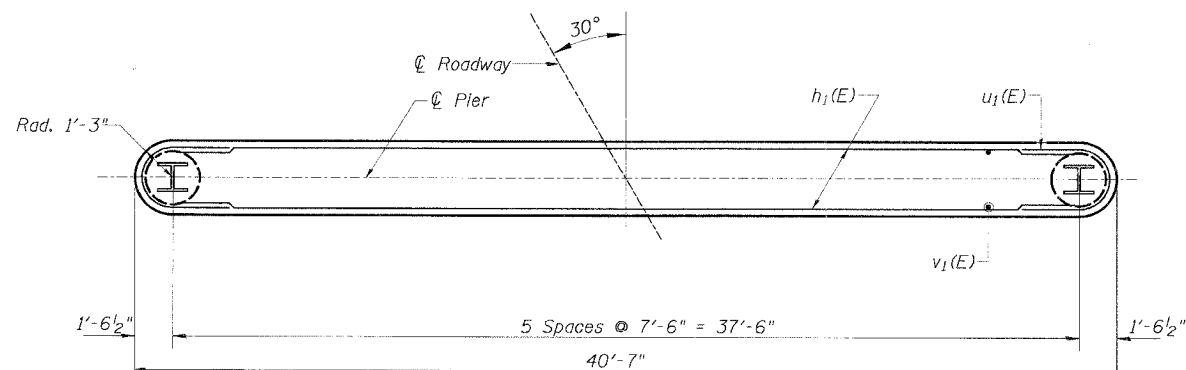


ELEVATION  
(Looking West)

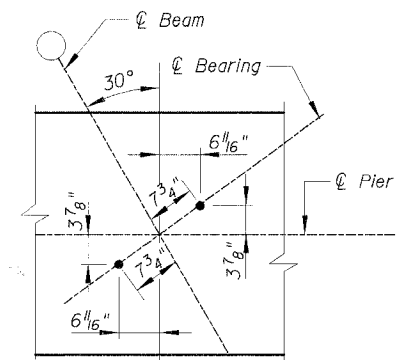
END VIEW

PILE DATA

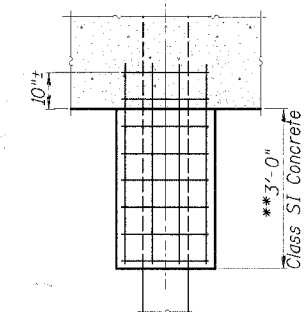
Type: Steel HP12x53 with Pile Shoes  
Nominal Required Brg.: 419 k  
Factored Resistance Available: 209 k  
Est. Length: 53'  
No. of Production Piles: 5  
No. of Test Piles: 1



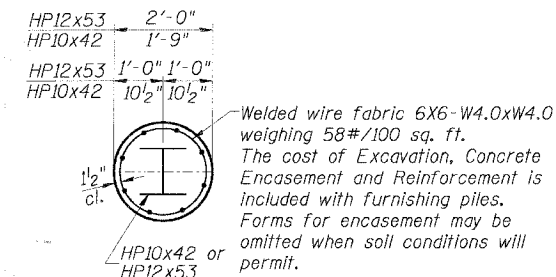
SECTION A-A



ANCHOR BOLT LAYOUT



PILE ENCASEMENT  
DETAIL

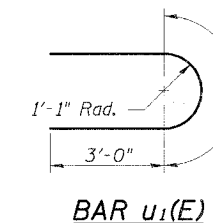


Welded wire fabric 6X6-W4.0xW4.0 weighing 58#/100 sq. ft.  
The cost of Excavation, Concrete Encasement and Reinforcement is included with furnishing piles.  
Forms for encasement may be omitted when soil conditions will permit.

BILL OF MATERIAL

Bar	No.	Size	Length	Shape
h <sub>1</sub> (E)	40	#5	38'-0"	—
u <sub>1</sub> (E)	40	#5	9'-5"	—
v <sub>1</sub> (E)	86	#5	19'-7"	—
Concrete Structures			Cu. Yd.	74.5
Reinforcement Bars, Epoxy Coated			Pound	3,730
Structure Excavation			Cu. Yd.	70
Furnishing Steel			Foot	265
Piles HP12x53			Foot	265
Driving Piles			Foot	265
Test Pile Steel HP12x53				1
Underwater Structure Excavation Protection Location 2			Each	1
Pile Shoes			Each	5

Reinforcement Bars designated (E) shall be epoxy coated.



BAR u<sub>1</sub>(E)

\*\*Forms shall be placed below Elevation 641.50 after excavation for Pier walls. Reinforcement and Concrete Encasement shall be poured underwater into forms. The cost of Concrete Encasement, Reinforcement, form excavation, and furnishing and placing forms is included with furnishing piles. If a portion of the pier wall is under water, concrete shall be trimmed under water into forms according to Article 503.08 of the Standard Specifications. Concrete shall be trimmed to an Elevation 1'-0" above the water level at the time of Construction.

PIER 2 - DETAIL

TIMBER EDGE DRIVE OVER SALT CREEK  
DuPAGE COUNTY  
F.A. ROUTE 7, SEC. 03-00019-00-BR  
STATION 103+31.33  
STRUCTURE NO. 022-6000

CHRISTOPHER B. BURKE  
ENGINEERING LTD.  
9575 West Higgins Road, Suite 600  
Rosemont, Illinois 60018

REVISIONS	DATE	DESCRIPTION

DRAWING NUMBER: S-14