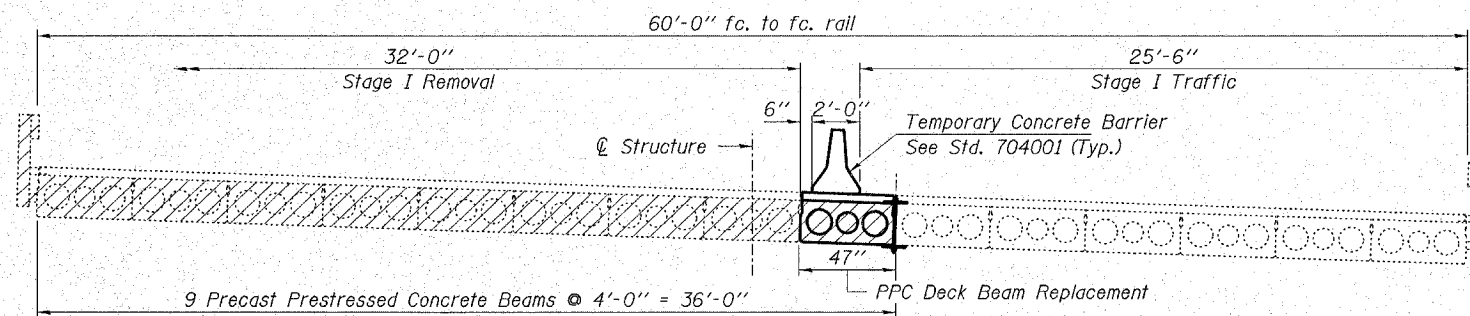
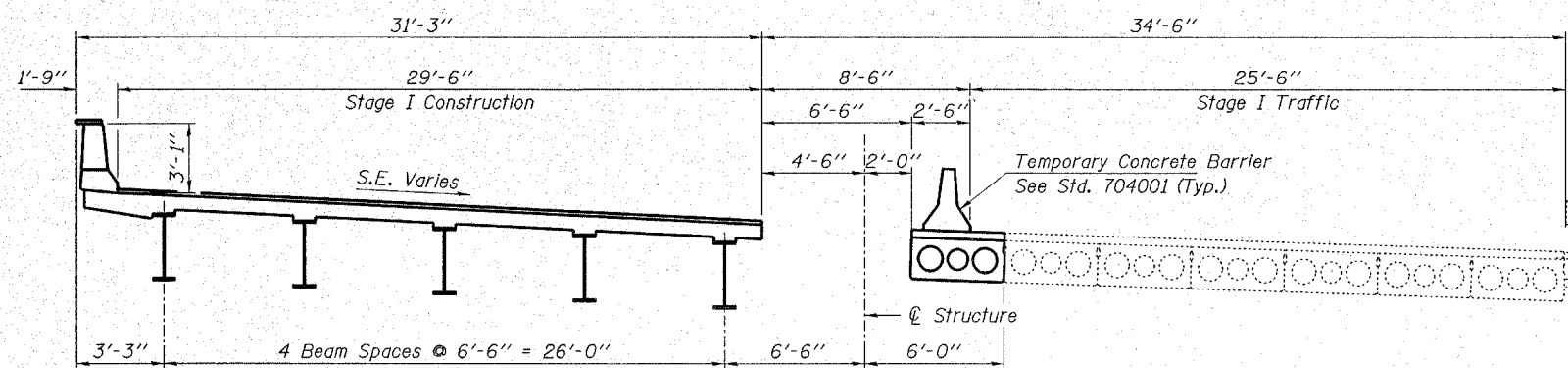


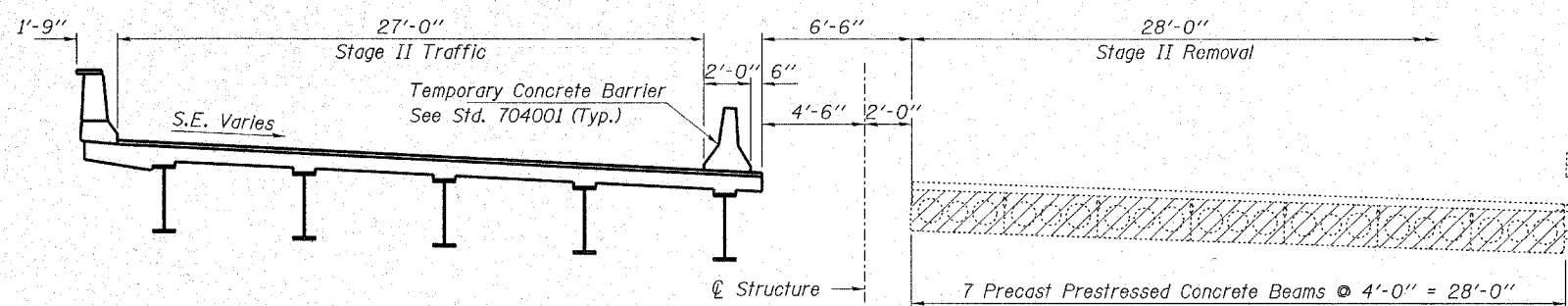
ROUTE NO.	SECTION	COUNTY	TOTAL SHEETS	SHEET NO.
F.A.S. 2111	01-00268-00-BR	KANE	70	2
FED. ROAD DIST. NO.		ILLINOIS	CONTRACT NO. 8397	



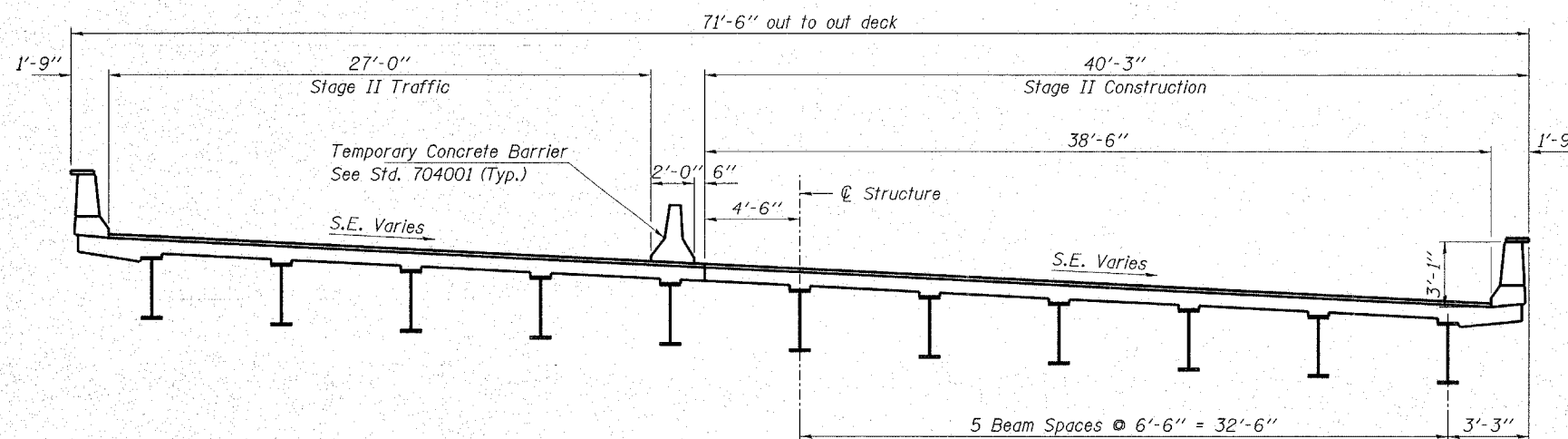
STAGE I REMOVAL



STAGE I CONSTRUCTION



STAGE II REMOVAL



STAGE II CONSTRUCTION

SUGGESTED CONSTRUCTION STAGING

1. Remove existing PPC Deck Beam at Stage Construction Line.
2. Erect temporary replacement PPC Deck Beam.
3. Place Concrete Barrier Wall for Stage I Traffic. Remove remainder of Stage I Removal.
4. Build Stage I Construction.
5. Relocate Temporary Concrete Barrier to Stage II Traffic.
6. Remove remaining PPC Deck Beams and existing structure.
7. Build Stage II Construction.

Notes: All sections are looking East.
Hatched areas indicate removal.

HAMPTON, LENZINI & RENWICK, INC.
CIVIL & STRUCTURAL ENGINEERS
LAND SURVEYORS

3085 STEVENSON DRIVE, SUITE 201
SPRINGFIELD, ILLINOIS 62703
(217) 546-3400

ELGIN • SPRINGFIELD

PROJECT NUMBER: 12-05-0050-1 DATE: 08/29/07
DESIGNED: R.J.P. CHECKED: S.W.M. DRAWN: D.A.B.

STAGE CONSTRUCTION DETAILS

SECTION 01-00268-00-BR

F.A.S. 2111 / FABYAN PARKWAY

KANE COUNTY

STATION 18+97 / STRUCTURE NO. 045-3019