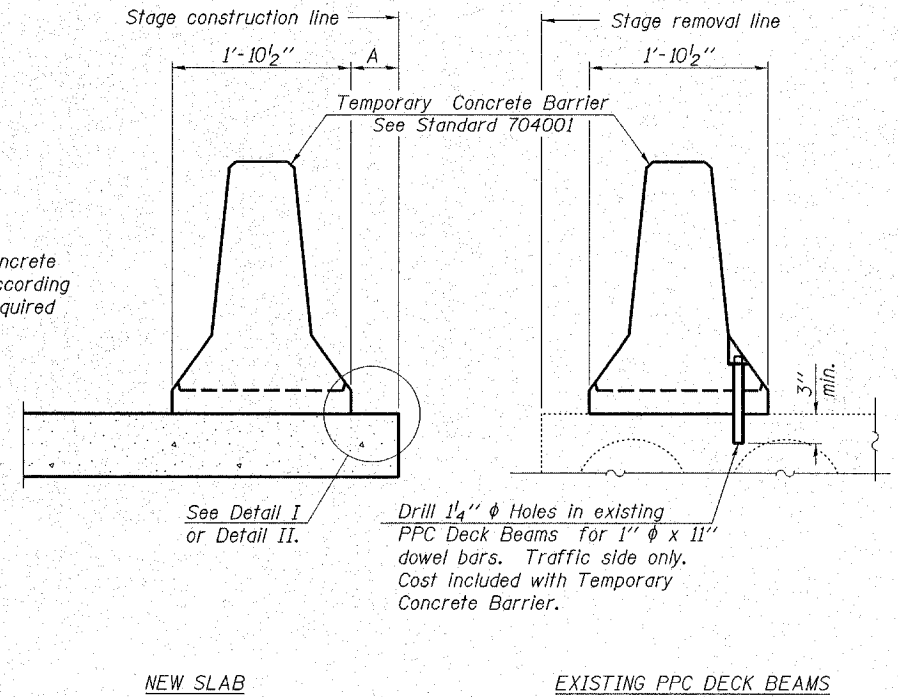


ROUTE NO.	SECTION	COUNTY	TOTAL SHEETS	SHEET NO.
F.A.S. 2111	01-00268-00-BR	KANE	70	2
FED. ROAD DIST. NO.		ILLINOIS	CONTRACT NO. 8397	

When "A" is 3'-6" or less, the temporary concrete barrier shall be anchored to the new slab according to Detail I or Detail II. No anchorage is required when "A" is greater than 3'-6".



See Detail I or Detail II.
 Drill 1/4" ϕ Holes in existing PPC Deck Beams for 1" ϕ x 11" dowel bars. Traffic side only. Cost included with Temporary Concrete Barrier.

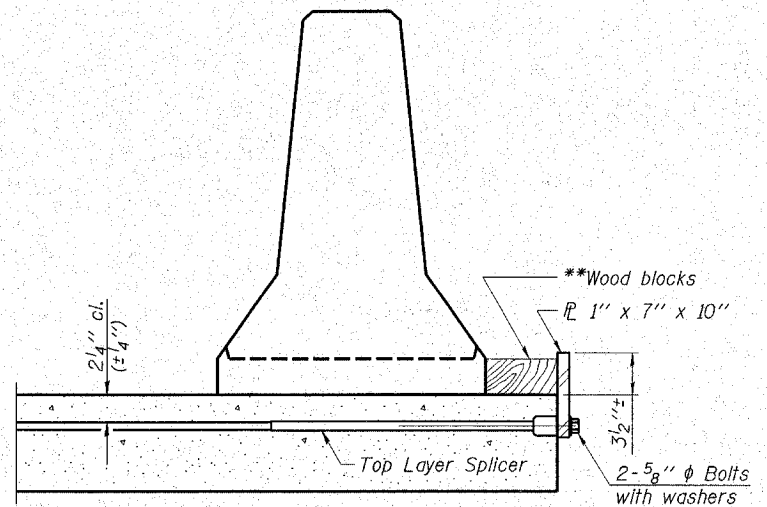
NOTES

Detail I - With Bar Splicer or Couplers:
 Connect one (1) 1"x7"x10" steel \bar{L} to the top layer of couplers with 2-5/8" ϕ bolts screwed to coupler at approximate \bar{C} of each barrier panel.

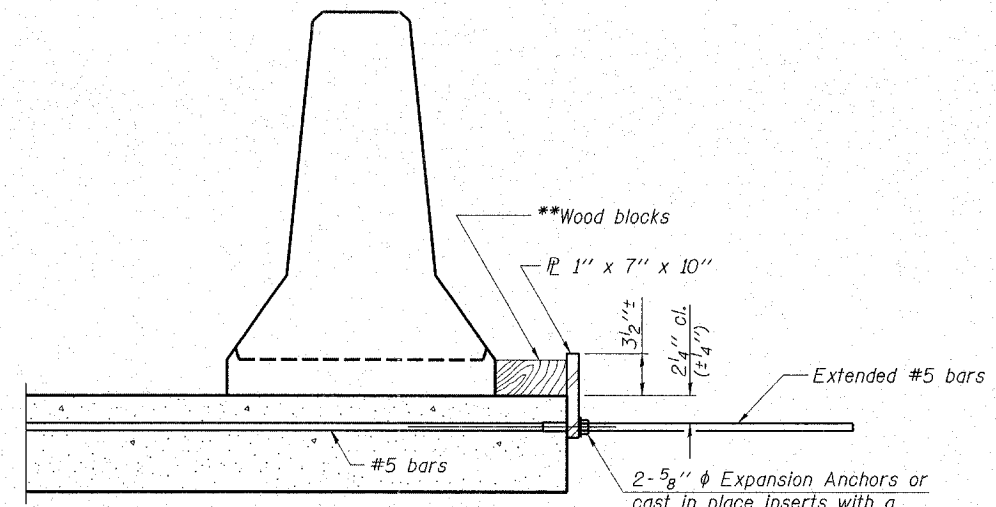
Detail II - With Extended Reinforcement Bars:
 Connect one (1) 1"x7"x10" steel \bar{L} to the concrete slab with 2-5/8" ϕ Expansion Anchors or cast in place inserts spaced between the top layer of reinforcement at approximate \bar{C} of each barrier panel.

Cost of anchorage is included with Temporary Concrete Barrier. The 1" x 7" x 10" plate shall not be removed until stage II construction forms and all reinforcement bars are in place and the concrete is ready to be placed.

SECTIONS THRU SLAB

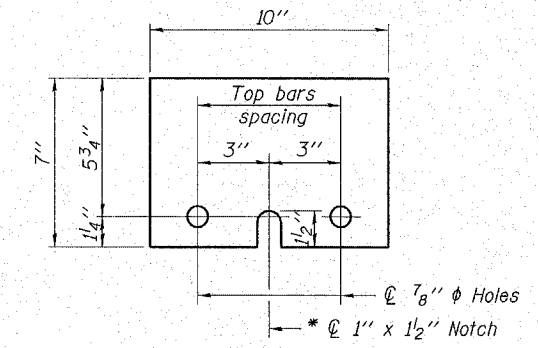


DETAIL I



DETAIL II

** Wood blocks may be omitted when required to provide minimum stage traffic lane width. When the wood blocks are omitted, the concrete barrier shall be in direct contact with the steel retainer plate.



STEEL RETAINER \bar{L} 1" x 7" x 10"

* Required only with Detail II

HAMPTON, LENZINI & RENWICK, INC.
 CIVIL & STRUCTURAL ENGINEERS
 LAND SURVEYORS

3085 STEVENSON DRIVE, SUITE 201
 SPRINGFIELD, ILLINOIS 62703
 (217) 546-3400

ELGIN • SPRINGFIELD

PROJECT NUMBER: 12-05-0050-1 DATE: 08/29/07
 DESIGNED: R.J.P. CHECKED: S.W.M. DRAWN: D.A.B.

**TEMPORARY CONCRETE BARRIER
 FOR STAGE CONSTRUCTION**

SECTION 01-00268-00-BR

F.A.S. 2111 / FABYAN PARKWAY

KANE COUNTY

STATION 18+97 / STRUCTURE NO. 045-3019