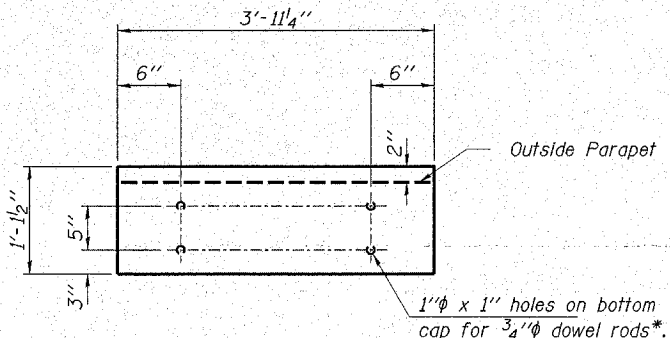


**INSIDE ELEVATION OF PARAPET**

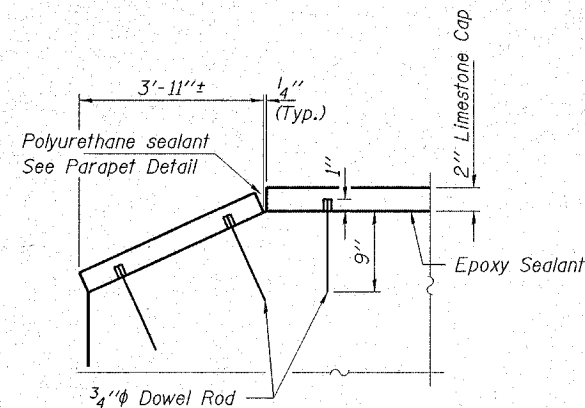
**MIN. BAR LAPS**

#4 bars = 1'-8"  
 #8 bars = 4'-6"



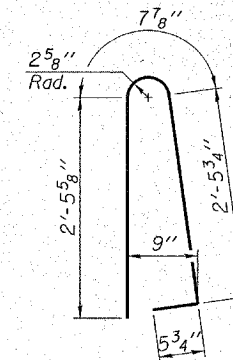
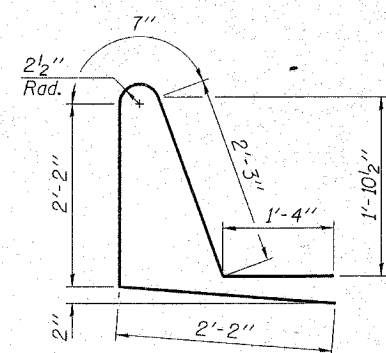
**PLAN**

\* Dowel Rods shall be drilled and epoxy grouted in place. Cost is included in the price of Limestone Cap.



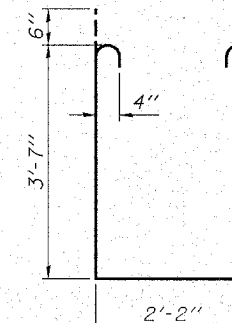
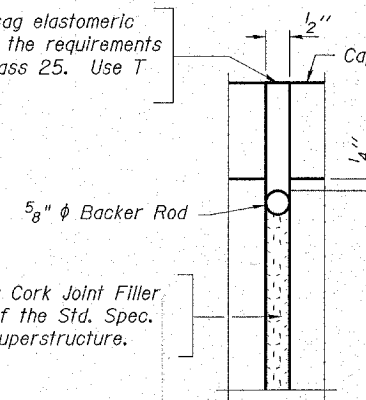
**LIMESTONE CAP ELEVATION**

Non-staining gray one component non-sag elastomeric gun grade polyurethane sealant meeting the requirements of ASTM C-920, Type S, Grade NS, Class 25. Use T with a 5/8" backer rod.

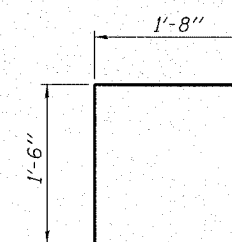


**BAR d(E)**

**BAR d1(E)**



**BAR s1(E)**

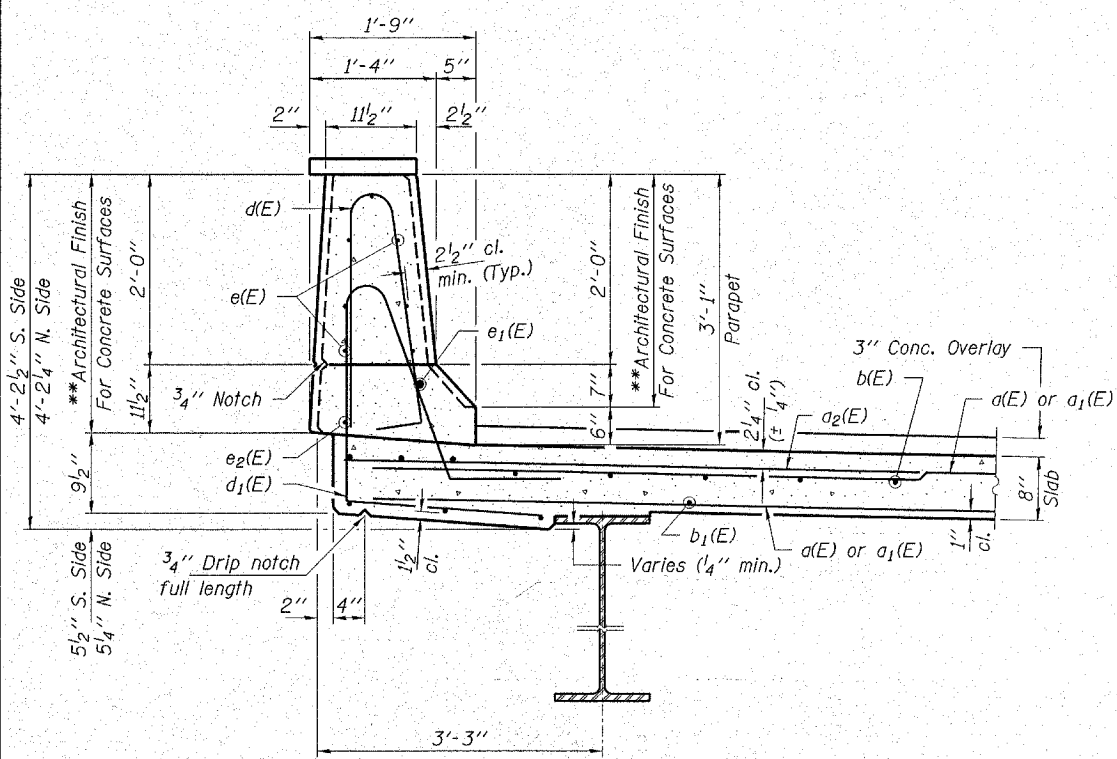


**BAR v(E)**

**BILL OF MATERIAL**

BAR	NO.	SIZE	LENGTH	SHAPE
a(E)	254	#5	31'-0"	—
a <sub>1</sub> (E)	258	#5	40'-0"	—
a <sub>2</sub> (E)	142	#6	6'-0"	—
a <sub>3</sub> (E)	4	#5	35'-10"	—
a <sub>4</sub> (E)	4	#5	46'-2"	—
b(E)	222	#5	33'-0"	—
b <sub>1</sub> (E)	224	#5	25'-3"	—
d(E)	208	#5	6'-1"	└
d <sub>1</sub> (E)	208	#5	8'-6"	└
e(E)	42	#4	31'-3"	—
e <sub>1</sub> (E)	6	#8	34'-8"	—
e <sub>2</sub> (E)	6	#4	32'-9"	—
s(E)	150	#5	6'-6"	└
s <sub>1</sub> (E)	130	#4	10'-4"	└
m(E)	4	#6	34'-7"	—
m <sub>1</sub> (E)	6	#6	35'-7"	—
m <sub>2</sub> (E)	12	#6	17'-0"	—
m <sub>3</sub> (E)	18	#6	7'-2"	—
m <sub>4</sub> (E)	4	#6	3'-3"	—
m <sub>5</sub> (E)	8	#6	24'-0"	—
m <sub>6</sub> (E)	12	#6	24'-5"	—
m <sub>7</sub> (E)	12	#6	13'-9"	—
m <sub>8</sub> (E)	2	#6	4'-8"	—
m <sub>9</sub> (E)	2	#6	2'-0"	—
v(E)	138	#5	3'-2"	└
Reinforcement Bars, Epoxy Coated		Pound	40,910	
Concrete Superstructures		Cu. Yd.	267.9	
Bar Splicers		Each	304	
Clear Protective Coat for Conc.		Sq. Ft.	1,078	
Architectural Finish for Conc. Surf.		Sq. Ft.	1,078	
Limestone Cap		Each	190	

Reinforcement bars designated (E) shall be epoxy coated.



**SECTION THRU PARAPET**

\*\*See Special Provisions

**PARAPET JOINT DETAILS**

1/2" Preformed Self-Expanding Cork Joint Filler according to Article 1051.07 of the Std. Spec. Cost included with Concrete Superstructure.

**HAMPTON, LENZINI & RENWICK, INC.**  
 CIVIL & STRUCTURAL ENGINEERS  
 LAND SURVEYORS

3085 STEVENSON DRIVE, SUITE 201  
 SPRINGFIELD, ILLINOIS 62703  
 (217) 546-3400

ELGIN • SPRINGFIELD

PROJECT NUMBER: 12-06-0050-1 DATE: 08/29/07  
 DESIGNED: R.J.P. CHECKED: S.W.M. DRAWN: D.A.B.

**SUPERSTRUCTURE DETAILS**

SECTION 01-00268-00-BR

F.A.S. 2111 / FABYAN PARKWAY

KANE COUNTY

STATION 18+97 / STRUCTURE NO. 045-3019