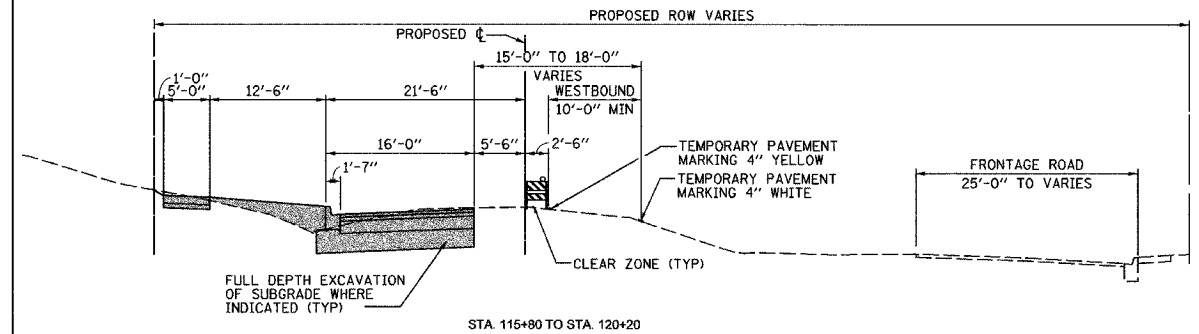
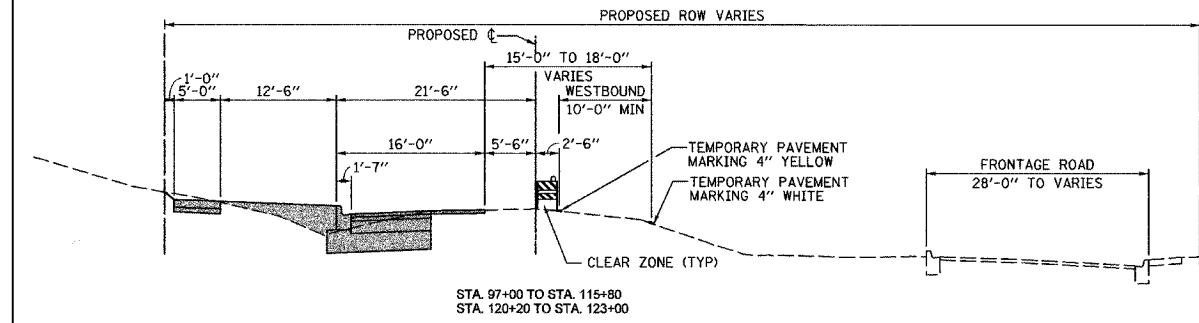
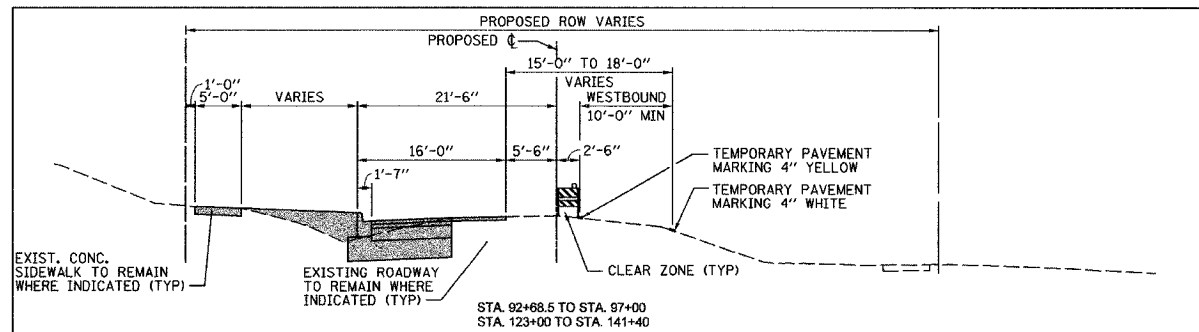
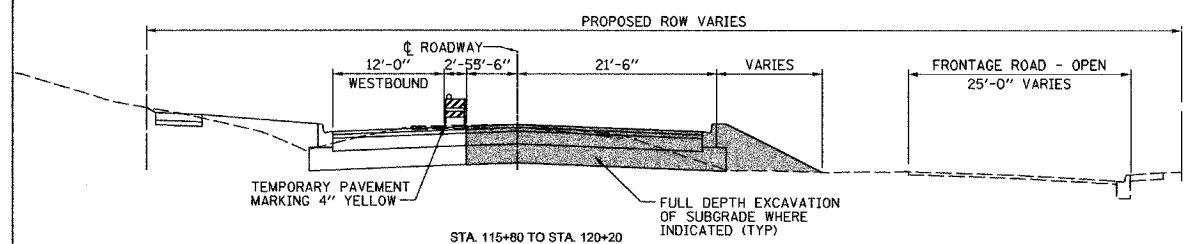
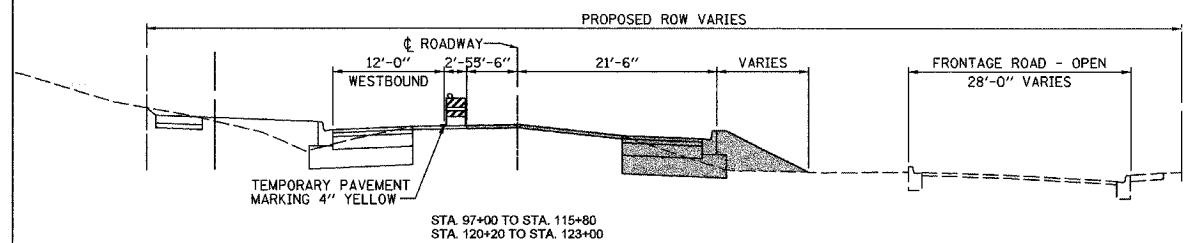
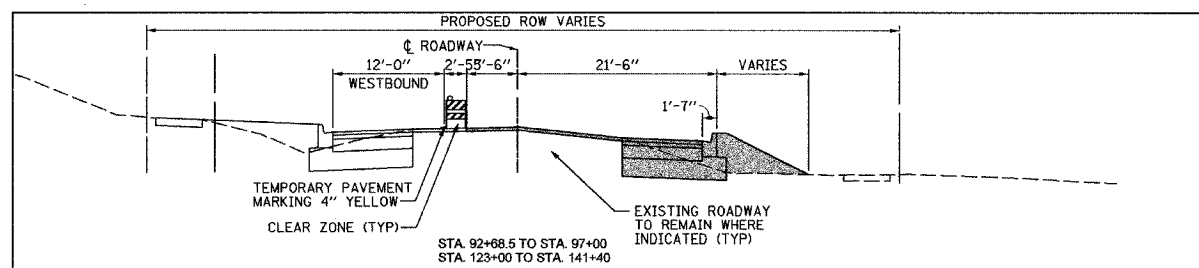


F.A. RTE.	SECTION	COUNTY	TOTAL SHEETS	SHEET NO.
D4-00046-00-WR		KANE	60	17
STA.		TO STA.		
FED. ROAD DIST. NO. 1		ILLINOIS		FED. AID PROJECT



STAGE 1 WESTBOUND LANE CONSTRUCTION SECTIONS (FACING EAST)



STAGE 2 EASTBOUND LANE AND CENTER LANE CONSTRUCTION SECTIONS (FACING EAST)

STAGE 1 - WESTBOUND LANE CONSTRUCTION (FACING EAST)

1. DETOUR EXISTING EASTBOUND TRAFFIC AS SHOWN IN THE DETOUR PLAN. INCLUDES ADVANCE NOTICE WITH CHANGEABLE MESSAGE SIGNS.
 2. MAINTAIN WESTBOUND TRAFFIC ON THE EASTBOUND (SOUTH) LANE. INCLUDES TEMPORARY PAVEMENT MARKING AND BARRICADE INSTALLATION AND MAINTENANCE.
 3. INSTALL TEMPORARY EROSION CONTROL MEASURES AND MAINTAIN.
 4. CONSTRUCT PROPOSED WESTBOUND OAK STREET IMPROVEMENTS, NORTH R.O.W., INCLUDING STORM SEWER, INTERSECTIONS, CURB AND GUTTER, ROADWAY, SIDEWALKS, DRIVEWAYS, AND PARKWAY RESTORATION WITH EROSION CONTROL MEASURES.
- CONSTRUCTION SHALL INCLUDE THE STORM SEWER CROSSING TO THE SOUTH R.O.W. AT SYCAMORE LANE WHILE WESTBOUND EXISTING PAVEMENT IS STILL IN PLACE, AS NEEDED, TO FLAG TRAFFIC DURING THIS SEWER INSTALLATION.
- CONSTRUCTION SHALL EXCLUDE ROADWAY SURFACE AND IMPROVEMENTS IN THE CENTERLINE STAGE 1 CLEAR ZONE.
- TRAFFIC CONTROL DEVICES FOR ALL STAGES SHALL INCLUDE STANDARDS 702001 AND 704001.

STAGE 2 - EASTBOUND LANE AND CENTER LANE CONSTRUCTION (FACING EAST)

1. MAINTAIN STAGE 1 DETOUR OF EASTBOUND TRAFFIC AS SHOWN IN THE DETOUR PLAN.
 2. ROUTE EASTBOUND TRAFFIC ONTO WESTBOUND (NORTH) LANE. INCLUDES TEMPORARY PAVEMENT MARKING AND BARRICADE INSTALLATION AND MAINTENANCE.
 3. INSTALL TEMPORARY EROSION CONTROL MEASURES AND MAINTAIN.
 4. CONSTRUCT PROPOSED EASTBOUND OAK STREET IMPROVEMENTS, SOUTH R.O.W., INCLUDING STORM SEWER, INTERSECTIONS, CURB AND GUTTER, ROADWAY, SIDEWALKS, DRIVEWAYS, AND PARKWAY RESTORATION WITH EROSION CONTROL MEASURES.
- CONSTRUCTION SHALL INCLUDE THE ROADWAY IMPROVEMENTS IN THE STAGE 1 CLEAR ZONE.
- CONSTRUCTION SHALL EXCLUDE ROADWAY SURFACE.

STAGE 3 - SURFACE COURSE CONSTRUCTION

1. MAINTAIN WESTBOUND TRAFFIC ON WESTBOUND (NORTH) LANE. ROUTE EASTBOUND DETOURED TRAFFIC ONTO EASTBOUND (SOUTH) LANE. REMOVE STAGE 1 AND 2 DETOUR. INCLUDES TEMPORARY PAVEMENT MARKING AND MAINTENANCE.
 2. MAINTAIN TEMPORARY EROSION CONTROL MEASURES.
 3. COMPLETE PERMANENT LANDSCAPING.
 4. CONSTRUCT REMAINING LEVEL BINDER.
 5. CONSTRUCT ROADWAY SURFACE COURSE ON OAK STREET AND INTERSECTIONS.
 6. PLACE ALL PERMANENT PAVEMENT MARKERS, STRIPING, AND SIGNING.
- STAGE 3 CONSTRUCTION TRAFFIC MAINTENANCE STANDARDS SHALL INCLUDE STANDARDS 701306 AND 701311.

MAINTENANCE OF TRAFFIC GENERAL NOTES:

1. TRAFFIC CONTROL AND PROTECTION SHALL BE PERFORMED IN ACCORDANCE WITH THE TRAFFIC CONTROL PLAN AND SECTION 701 OF THE STANDARD SPECIFICATIONS AS AMENDED BY THE SPECIAL PROVISION FOR CONSTRUCTION ZONE TRAFFIC CONTROL.
2. THE TYPE III BARRICADES ARE TO BE PLACED IN ACCORDANCE WITH STANDARD 702001 UNLESS AUTHORIZED BY THE ENGINEER TO USE AN ALTERNATE ARRANGEMENT.
3. EXISTING TRAFFIC CONTROL SIGNS AND DEVICES WILL BE REMOVED AFTER THE TRAFFIC CONTROL REQUIREMENTS ARE MET OR AS AUTHORIZED BY THE ENGINEER. ANY SIGNS OR DEVICES LEFT IN PLACE AT THIS TIME ARE TO BE RELOCATED, MAINTAINED AND PROTECTED FROM DAMAGE BY THE CONTRACTOR AND ANY DAMAGED OR LOST SIGNS WILL BE REPLACED BY THE CONTRACTOR.
4. TYPE I OR TYPE II BARRICADES, DRUMS, OR VERTICAL PANELS WITH MONO-DIRECTIONAL STEADY-BURN LIGHTS SHALL BE REQUIRED ALONG TEMPORARY ROADS, DETOURS, AND SIDE STREETS TO DELINEATE THE TRAVELED WAY WITHIN THE CONSTRUCTION ZONE. THE MAXIMUM SPACING FOR THESE DEVICES SHALL BE 50 FEET CENTER TO CENTER.
5. ANY DROP OFF GREATER THAN THREE (3) INCHES BUT LESS THAN SIX (6) INCHES, WITHIN EIGHT (8) FEET OF THE PAVEMENT EDGE, SHALL BE PROTECTED BY TYPE I OR TYPE II BARRICADES, DRUMS, OR VERTICAL PANELS WITH MONO-DIRECTIONAL STEADY-BURN LIGHTS AT 50 FOOT CENTER TO CENTER SPACING. IF THE DROP OFF WITHIN EIGHT (8) FEET OF THE PAVEMENT EDGE EXCEEDS SIX (6) INCHES, THE BARRICADES, DRUMS OR VERTICAL PANELS MENTIONED ABOVE SHALL BE PLACED AT FIFTY (50) FOOT CENTER TO CENTER SPACING. BARRICADES THAT MUST BE PLACED IN EXCAVATED AREAS SHALL HAVE LEG EXTENSIONS INSTALLED SUCH THAT THE TOP OF THE BARRICADE IS IN COMPLIANCE WITH THE HEIGHT REQUIREMENTS OF STANDARD 702001.
6. TYPE I OR TYPE II BARRICADES WITH TWO-WAY FLASHING LIGHTS SHALL BE REQUIRED AT ALL OPEN TRENCHES, EXCAVATIONS, OPEN OR EXPOSED SEWER STRUCTURES, TRANSVERSE PAVEMENT JOINTS, MATERIALS OR EQUIPMENT WITHIN THE RIGHT-OF-WAY (NUMBER AND SPACING DEPENDS ON THE CONDITIONS); AND AT LOCATIONS DESIGNATED BY THE ENGINEER OR LOCAL LAW ENFORCEMENT AGENCIES.
7. TYPE I, II AND / OR III BARRICADES WITH TWO-WAY FLASHING LIGHTS WILL BE REQUIRED TO GUIDE TRAFFIC AWAY FROM PAVEMENT AREAS CLOSED FOR CONSTRUCTION. WHEN THE PROPOSED PROFILE IS 3 FEET HIGHER THAN EXISTING OR 1 FOOT BELOW EXISTING, TEMPORARY CONCRETE BARRIER SHALL BE USED. VERTICAL PANELS WITH STEADY-BURN LIGHTS SHALL BE INSTALLED ON TOP OF THE BARRIER AT 50 FOOT INTERVALS.
8. THE COST OF SUPPLYING, ERECTING, AND MAINTAINING BARRICADES, WARNING LIGHTS, AND SIGN WILL BE INCLUDED IN THE CONTRACT LUMP SUM PRICE FOR TRAFFIC CONTROL AND PROTECTION.
9. WHERE REQUIRED, TRAFFIC SIGNS SHALL BE RELOCATED FOR EACH STAGE OF CONSTRUCTION.
10. CHANGEABLE MESSAGE BOARDS WILL BE REQUIRED WHEN IMPLEMENTING ALL LANE CLOSURES.
11. PRIOR TO THE START OF CONSTRUCTION, REQUIRED TRAFFIC CONTROL DEVICES SHALL BE IN PLACE.
12. THE PURPOSE OF THIS STAGING IS TO MINIMIZE DELAYS TO THE MOTORISTS. THE CONTRACTOR MAY ALTER THE SEQUENCE OF CONSTRUCTION ONLY WITH THE PRIOR APPROVAL OF THE ENGINEER.
13. THE CONTRACTOR SHALL DETOUR TRAFFIC DURING CONSTRUCTION AT INTERSECTIONS. THE CONTRACTOR SHALL SUBMIT A DETOUR PLAN TO THE RESIDENT ENGINEER FOR REVIEW AND APPROVAL. SUCH DETOURS SHALL BE INCLUDED IN THE GENERAL TRAFFIC CONTROL AND IS NOT INCLUDED AS PART OF THE "DETOUR LAYOUT PLAN - OAK STREET" FOR PAYMENT.

MAINTENANCE OF TRAFFIC, STAGING SECTIONS, AND NOTES

SCALE: VERT. NONE HORIZ. NONE DRAWN BY: GR DATE: MAY 2007

DATE	BY	REVISION

DATE	BY	REVISION

PLOT DATE = 8/30/2007
 FILE NAME = m:\dgn\va\197\197sheets\197\197mct\sections.dgn
 PLOT SCALE = 1"=100'
 USER NAME = USER