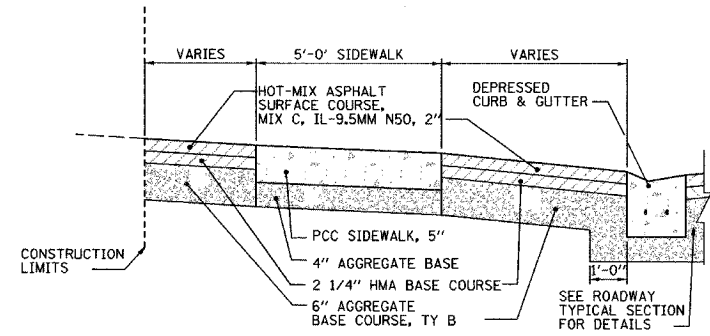
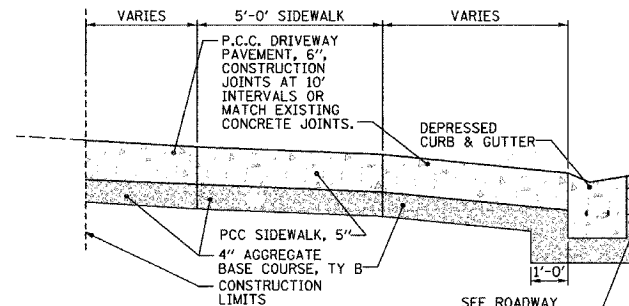


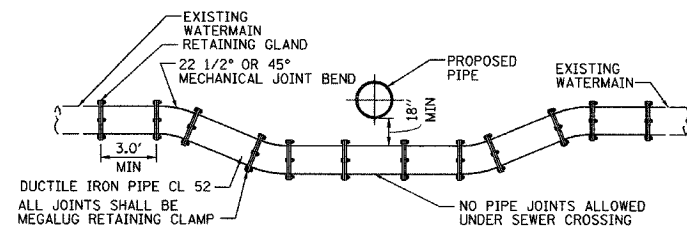
F.A. RTE.	SECTION	COUNTY	TOTAL SHEETS	SHEET NO.
	04-00046-00-WP	KANE	60	53
STA.		TO STA.		
FED. ROAD DIST. NO. 1		ILLINOIS FED. AID PROJECT		



TYPICAL SECTION THRU HOT-MIX ASPHALT DRIVEWAY

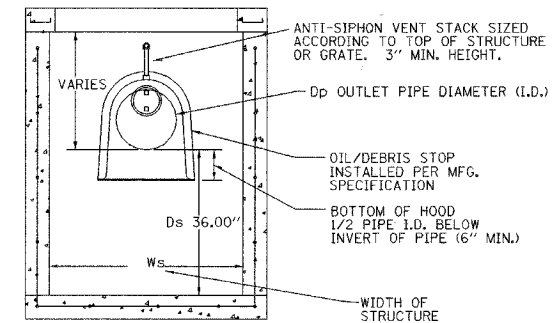


TYPICAL SECTION THRU CONCRETE DRIVEWAY



NOTE:  
THRUST BLOCK IS INCLUDED IF  
REQUIRED BY THE VILLAGE ENGINEER

EXISTING WATERMAIN LOWERING DETAIL



OIL / WATER / DEBRIS SEPARATOR

CONSTRUCTION DETAILS

SCALE: VERT. NONE    DRAWN BY: GR  
 HORIZ. NONE    DATE: MAY 2007

PLAN

DATE	BY

NO. \_\_\_\_\_  
 FILE NAME \_\_\_\_\_  
 SURVEYED \_\_\_\_\_  
 ALIGNED \_\_\_\_\_  
 CHECKED \_\_\_\_\_  
 DATE \_\_\_\_\_

PROFILE

DATE	BY

NO. \_\_\_\_\_  
 FILE NAME \_\_\_\_\_  
 SURVEYED \_\_\_\_\_  
 GRADES CHECKED \_\_\_\_\_  
 DATE \_\_\_\_\_

PLOT DATE = 8/30/2007  
 FILE NAME = n:\dgn\197\sheet\anal97\detail.dgn  
 PLOT SCALE = 1" = 10'-0"  
 USER NAME = USER