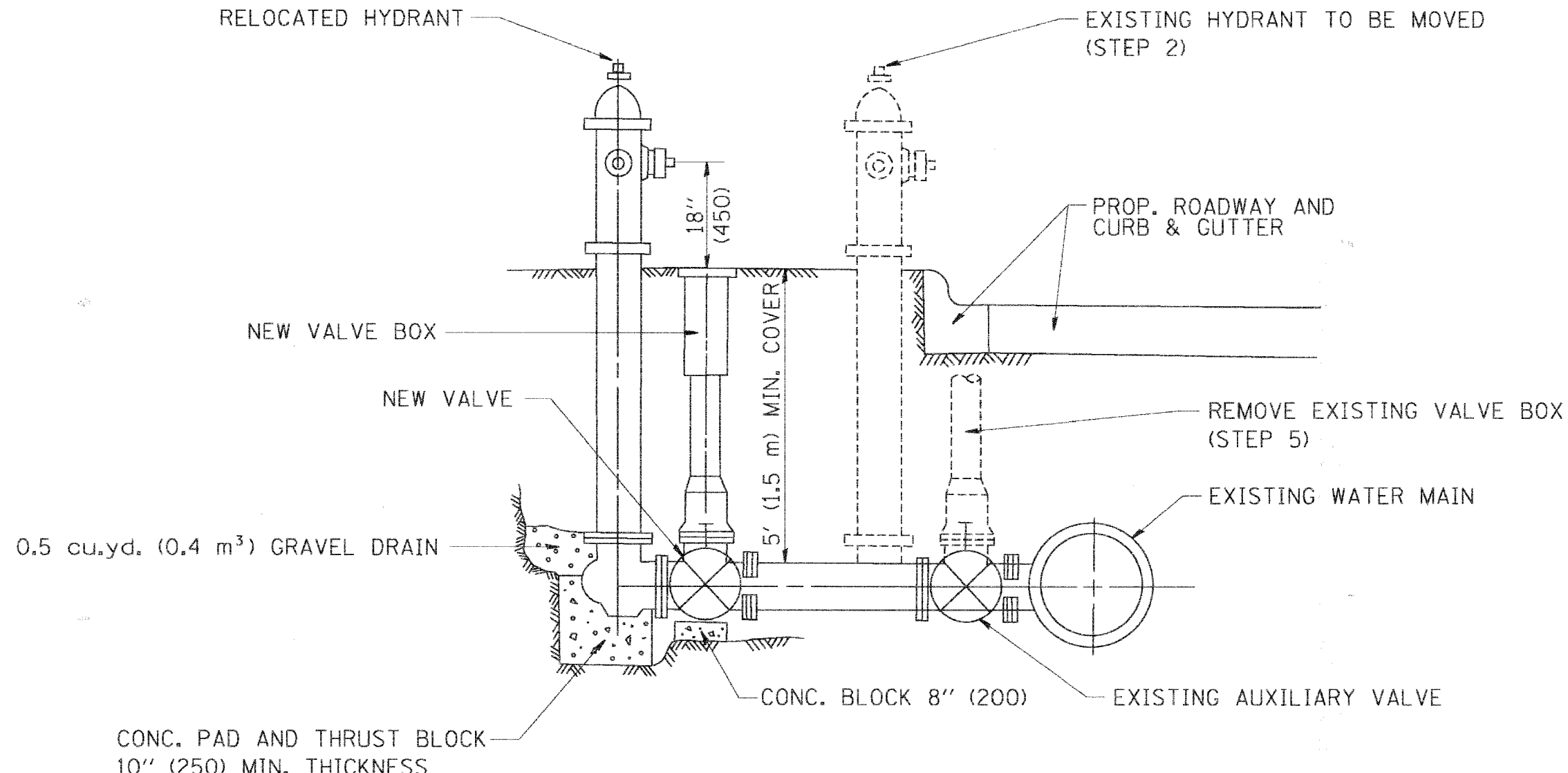


F.A. RTE.	SECTION	COUNTY	TOTAL SHEETS	SHEET NO.
	D4-00046-00-WR	KANE	60	55
STA.		TO STA.		
FED. ROAD DIST. NO.		ILLINOIS FED. AID PROJECT		



SEQUENCE OF CONSTRUCTION:

1. CLOSE EXISTING VALVE.
2. REMOVE EXISTING HYDRANT.
3. INSTALL HYDRANT EXTENSION AND NEW VALVE.
4. RELOCATE EXISTING HYDRANT.
5. OPEN EXISTING VALVE, REMOVE BOX.
6. BACKFILL.
7. FLUSH AND TEST FOR CHLORIDE RESIDUAL AND PROVIDE TEST.

ALL WORK TO BE DONE IN ACCORDANCE WITH ARTICLE 564 OF THE STANDARD SPECIFICATIONS. NEW VALVE AND BOX SHALL BE SAME MAKE AND MODEL AS EXISTING.

FIRE HYDRANT TO BE MOVED

ALL DIMENSIONS ARE IN INCHES (MILLIMETERS) UNLESS OTHERWISE SHOWN.

REVISIONS	
NAME	DATE
R. SHAH	09/09/94
R. SHAH	10/25/94

ILLINOIS DEPARTMENT OF TRANSPORTATION

FIRE HYDRANT TO BE MOVED

SCALE: VERT. NONE
HORIZ.

DRAWN BY
CHECKED BY

PLOT DATE = 3/3/2007
FILE NAME = K:\data\as\bd500-03.dwg
PLOT SCALE = 1/8" = 1'-0"
USER NAME = baward