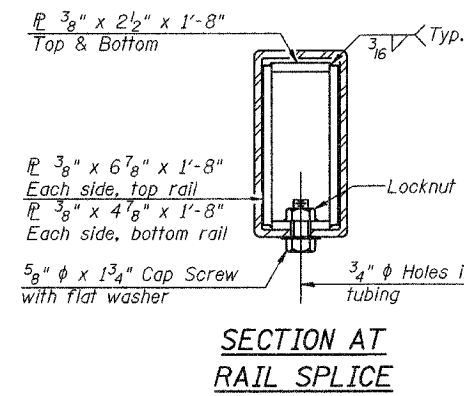
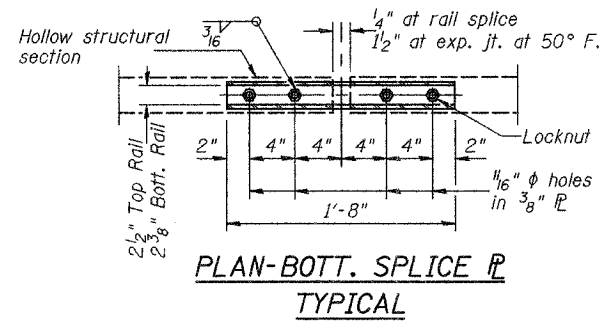
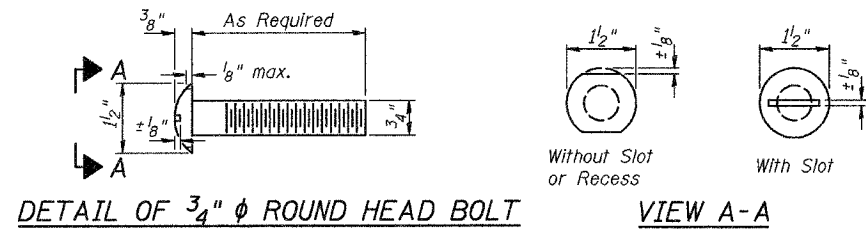


FOR RAIL POST SPACING SEE SH.#4 OF 8



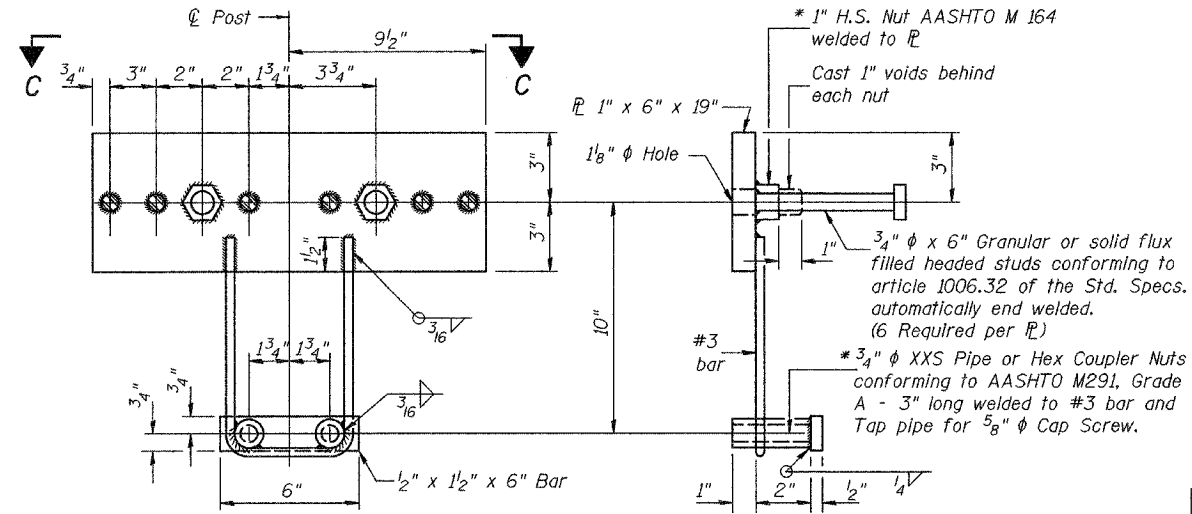
NOTES

All field drilled holes shall be coated with an approved zinc rich paint before erection.

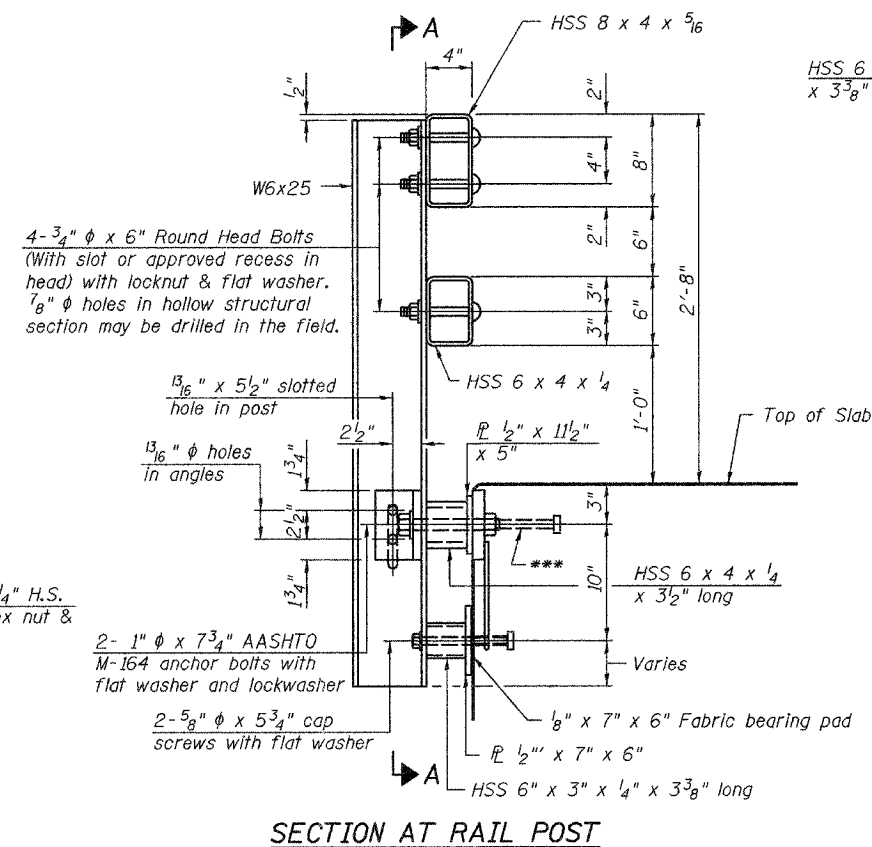
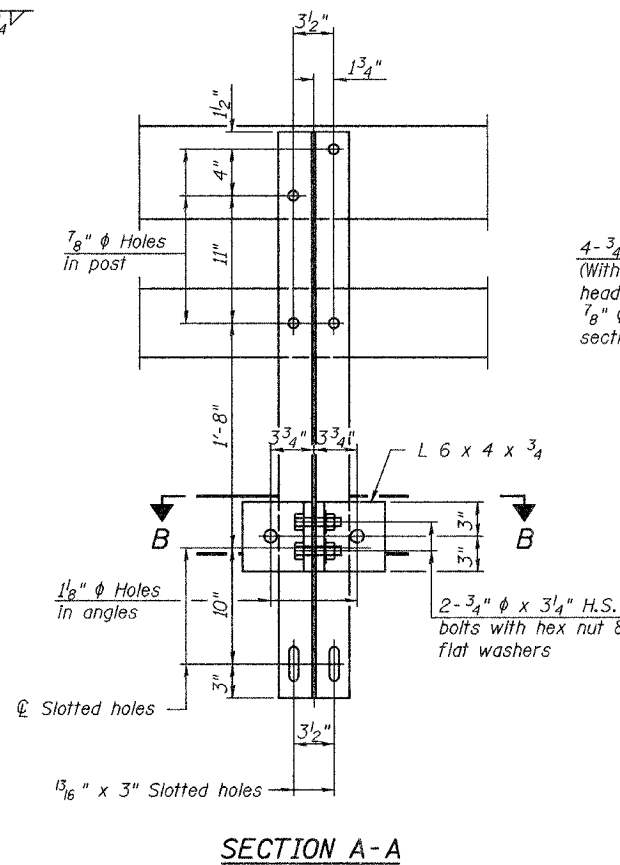
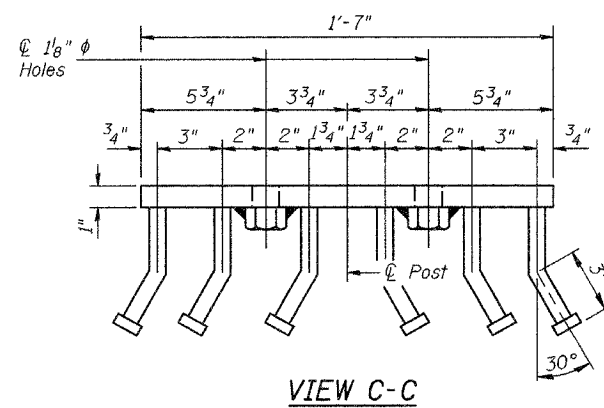
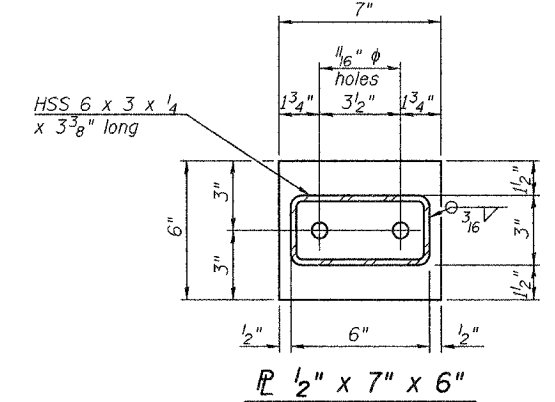
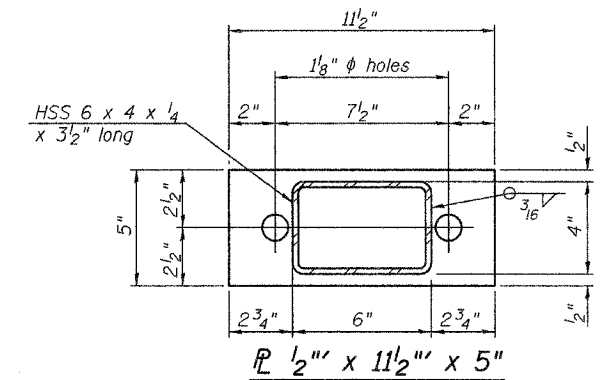
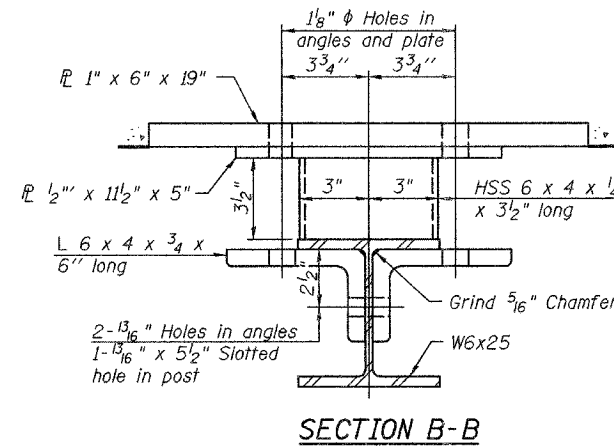
For multi-span bridges, sufficient 1/4" x 6" x 1'-2" galvanized steel shims shall be provided to align rail between adjacent spans. Cost included with Steel Bridge Rail, Type SM (Special).

Steel rail elements shall be galvanized according to Article 509.05 of the Standard Specifications.

*** The studs of the anchor devices shall be placed below the top reinforcement bars and the outermost longitudinal reinforcement bar shall be placed directly above the studs of the rail post anchor device.



* Threaded areas shall be plugged or blocked off during casting of the slab. Galvanized after fabrication.



BILL OF MATERIAL

| Item | Unit | Quantity |
|--------------------------------------|------|----------|
| Steel Bridge Rail, Type SM (Special) | FOOT | 205 |

TYPE SM (SPECIAL) STEEL RAILING
C.H. 9 OVER MUD CREEK
SECTION 04-00052-03-BR
IROQUOIS COUNTY
STATION 39+90.04
(Sheet 1 of 2)