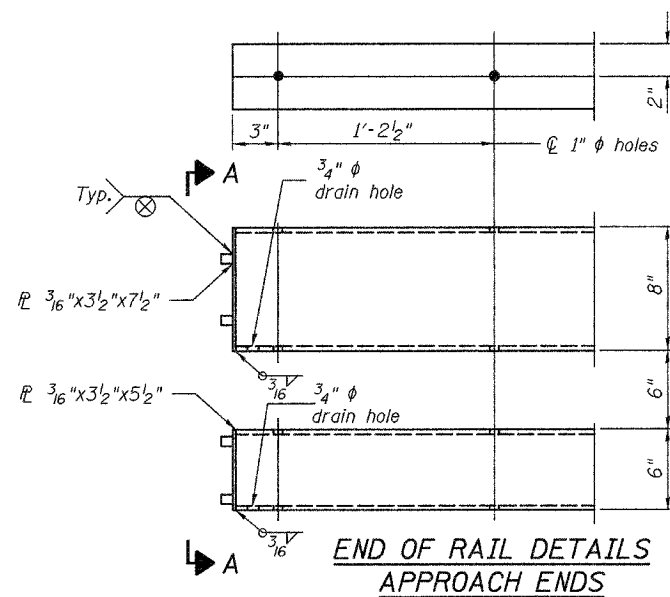
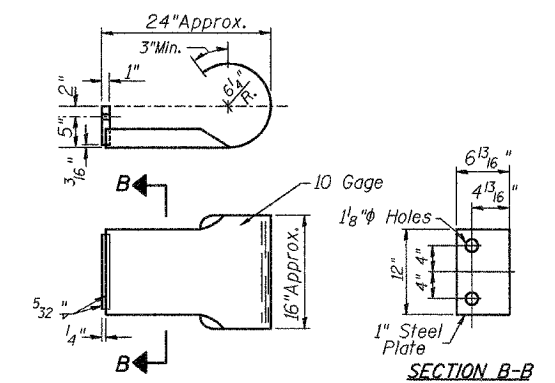
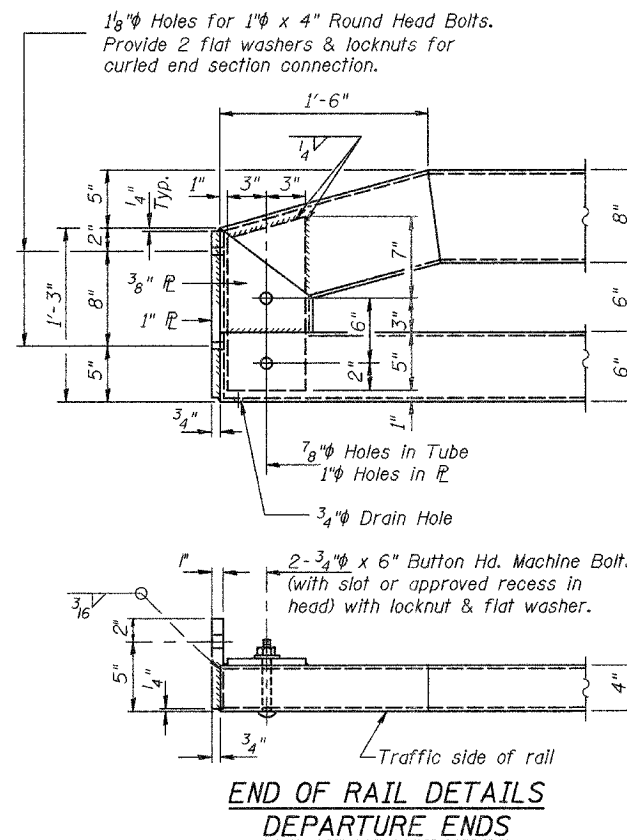
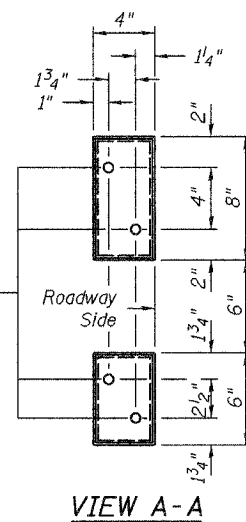


**RAIL POST SPACING**



ℓ - 5/8" reduced base welded studs. Provide 4 - 5/8" washers and self-locking nuts or nuts and jam nuts for guardrail connection shown on Std. 631032



(2 Req'd) Cost Included with Steel Railing Type SM (Special). Terminal Markers - Direct Applied shall be placed on end of each Curled End Section. (N.W. & S.E. Corner)

**TYPE SM (SPECIAL) STEEL RAILING**  
**C.H. 9 OVER MUD CREEK**  
**SECTION 04-00052-03-BR**  
**IROQUOIS COUNTY**  
**STATION 39+90.04**  
(Sheet 2 of 2)