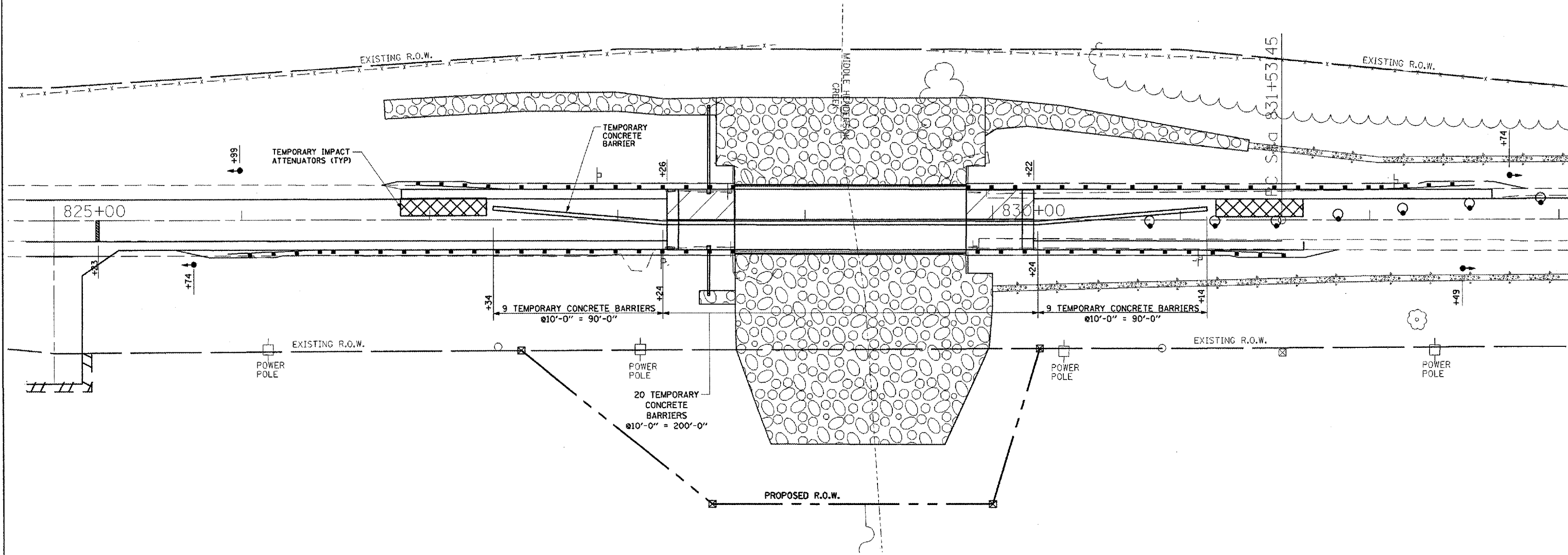


F.A.P. RTE.	SECTION	COUNTY	TOTAL SHEETS	SHEET NO.
310	(28-BR)I	WARREN	97	20
STA. 824+00.00		TO STA. 833+50.00		
FED. ROAD DIST. NO.		ILLINOIS		US 67

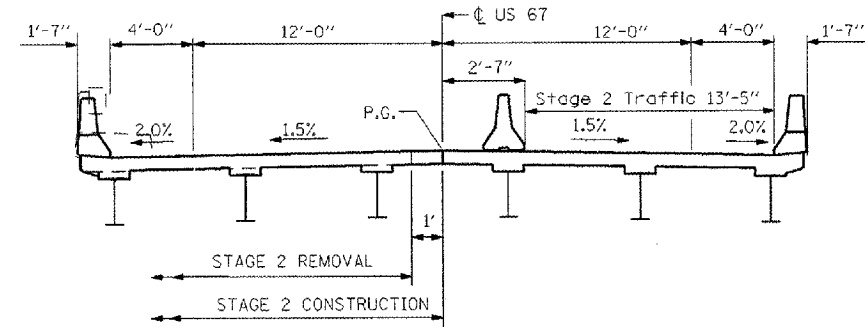
 - PAVEMENT REMOVAL

USE FLASHING LIGHT ON THE TRAFFIC SIGNAL WARNING SIGN SOUTH OF THE BRIDGE. PAYMENT FOR THE FLASHING LIGHT SHALL BE INCLUDED IN THE COST OF STD. 701321.

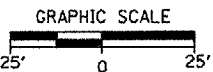


STAGE 2 CONSTRUCTION OF EAST SIDE

1. RELOCATE TEMPORARY CONCRETE BARRIERS, TEMPORARY IMPACT ATTENUATORS, AND TEMPORARY MARKINGS AS DETAILED ON TRAFFIC CONTROL AND PROTECTION STANDARD 701321.
2. REMOVE GUARDRAIL, PAVEMENT, AND REMAINING STRUCTURE FOR EAST SIDE AS SHOWN.
3. CONSTRUCT BRIDGE DECK, APPROACH PAVEMENTS, APPROACH PAVEMENT CONNECTORS, AND ALL OTHER COLLATERAL WORK FOR EAST SIDE OF ROADWAY AS SHOWN.
4. REMOVE TRAFFIC CONTROL PAVEMENT MARKINGS, TEMPORARY CONCRETE BARRIERS, RUMBLE STRIPS, AND TEMPORARY SIGNALS.
5. COMPLETE PAVEMENT PATCHING. USE TRAFFIC CONTROL AS DETAILED IN STANDARD 701201.
6. USE VARIABLE DEPTH MILLING AND BINDER COURSE TO ADJUST ROADWAY AND SHOULDER ELEVATIONS TO PROPOSED GRADE ON NORTH APPROACH. USE TRAFFIC CONTROL AS DETAILED ON STANDARD 701306.
7. COMPLETE VARIABLE DEPTH MILLING ON SOUTH APPROACH. USE TRAFFIC CONTROL AS DETAILED ON STANDARD 701306.
8. RESURFACE NORTH AND SOUTH APPROACHES. USE TRAFFIC CONTROL AS DETAILED ON STANDARD 701306.
9. PAVEMENT MARKING WILL BE PLACED AFTER THE COMPLETION OF STAGE 2.



STAGE 2 CONSTRUCTION CROSS SECTION
(Looking South)



(28-BR)I
STAGE 2 CONSTRUCTION AT MIDDLE HENDERSON CREEK

REVISIONS	
NAME	DATE

ILLINOIS DEPARTMENT OF TRANSPORTATION

STAGE 2 CONSTRUCTION
MIDDLE HENDERSON CREEK
SN 094-0002

SCALE:

DRAWN BY: BAD