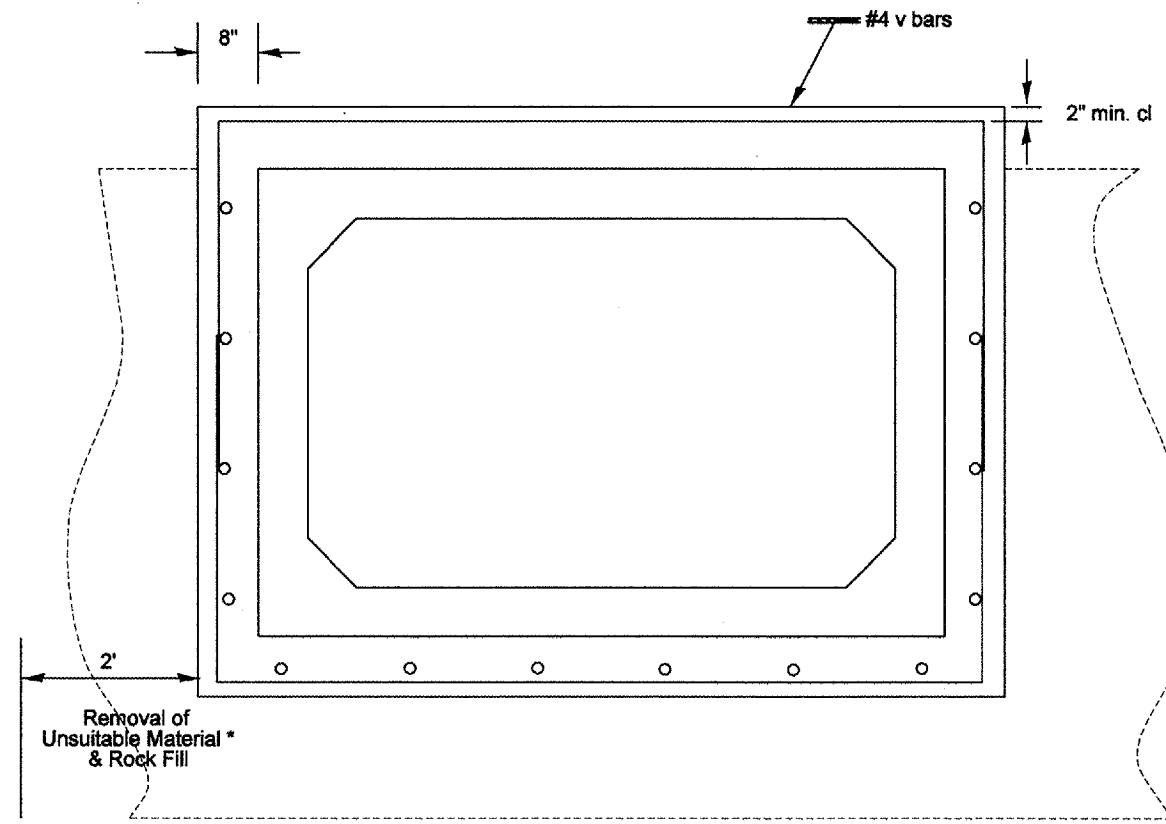
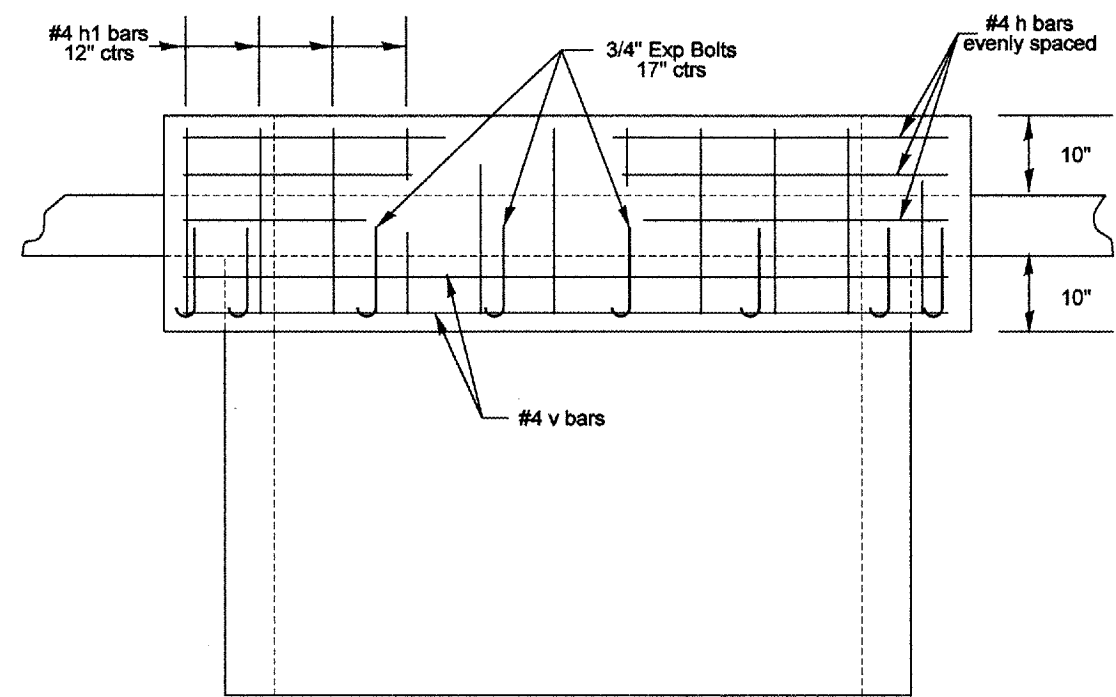
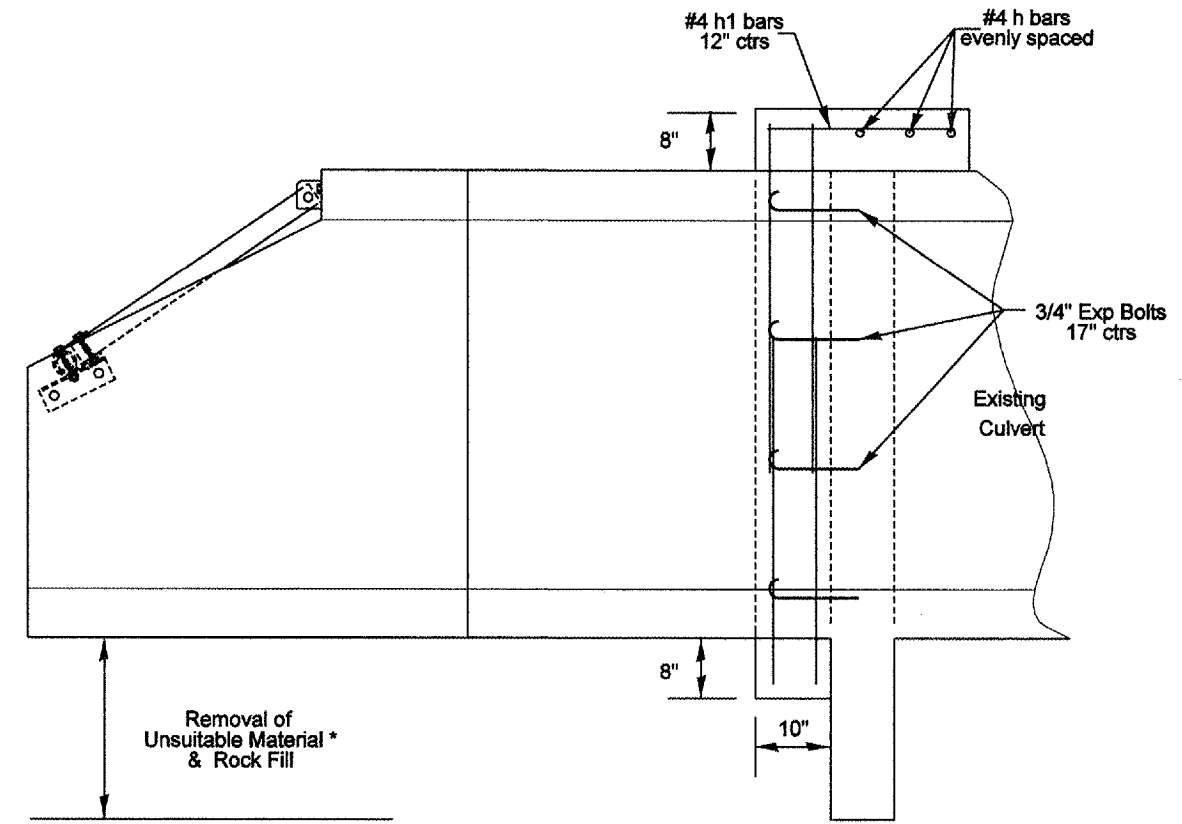


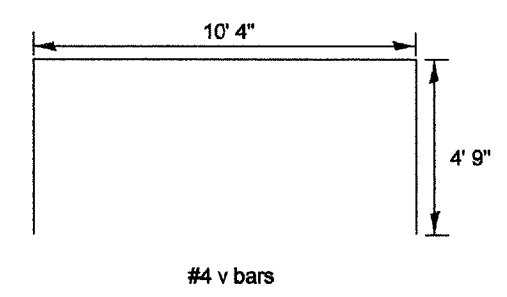
F.A.P. RTE.	SECTION	COUNTY	TOTAL SHEETS	SHEET NO.
315	(108)BR, BR-1	McDonough	80	25
STA.	TO STA.			
FED. ROAD DIST. NO.	ILLINOIS	FED. AID PROJECT		
CONTRACT NO. 88799				



FRONT



TOP



Each Collar						
bar	length	size	number	lb/ft	total wt.	shape
v	19' 10"	4	4	.668	53	□
h	10' 4"	4	3	.668	21	—
h1	1' 10"	4	11	.668	13	—
					total	87 lbs
concrete collar					1.2 cy	
3/4" anchor bolts					14 ea	
Two Collars						
concrete collar					1.2 cy x 2 = 2.4 cy	
3/4" anchor bolts					14 ea x 2 = 28 ea	
reinforcement bars					87 lbs x 2 = 174 lbs	

* The final depth of Removal of Unsuitable Material to be determined in the field and extend to 2' outside of the limits of the culvert extension.

REVISIONS	
NAME	DATE

ILLINOIS DEPARTMENT OF TRANSPORTATION
Lt & Rt Sta. 73+10
Box Culvert Extension
Collar Detail
 SCALE: VERT. _____
 HORIZ. _____
 DATE 7/16/07
 DRAWN BY dmi
 CHECKED BY _____

PLOT DATE = 8/18/2007
 FILE NAME = S:\ENR\06\71\ST01\PLANS\88799\W Adair\topcollar.dgn
 PLOT SCALE = 211.7647 / 1" = 100'
 USER NAME = dmi