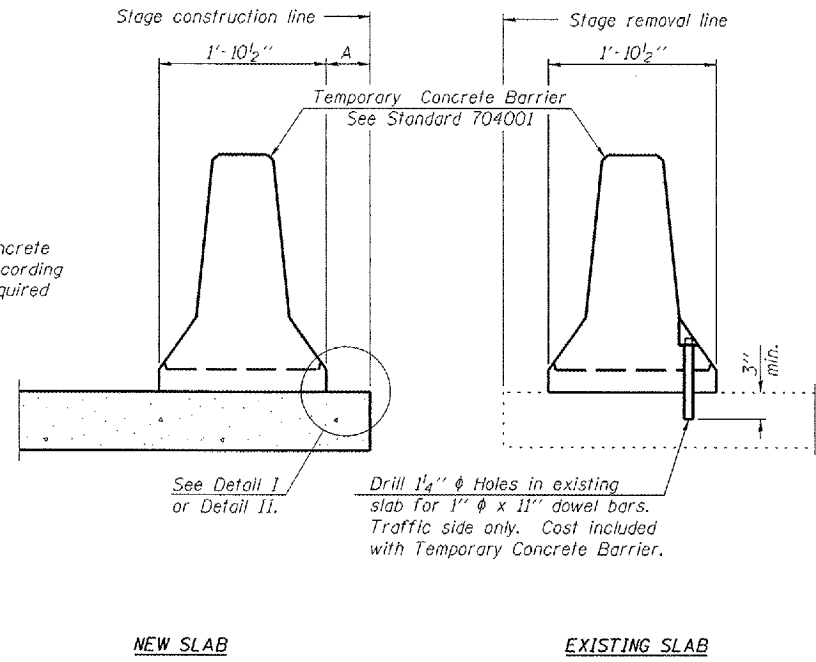
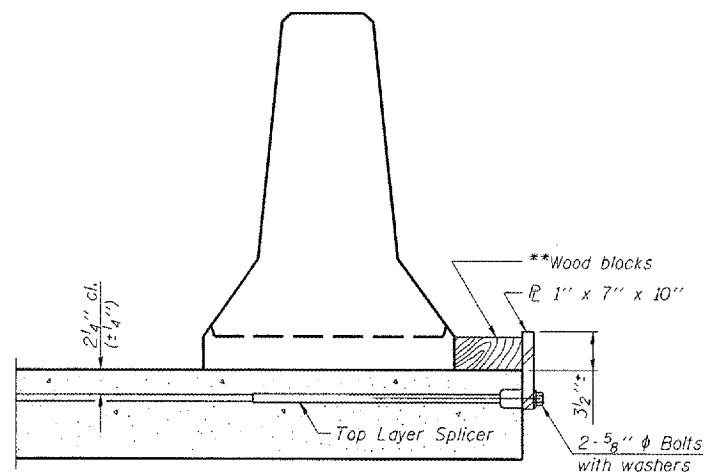


ROUTE NO.	SECTION	COUNTY	SHEET	SHEET
F.A. 315	(108B) BR	McDonough	80	48
FED. ROAD DIST. NO. 7	PLAN NO.	FED. AID PROJECT	Contract #88799	

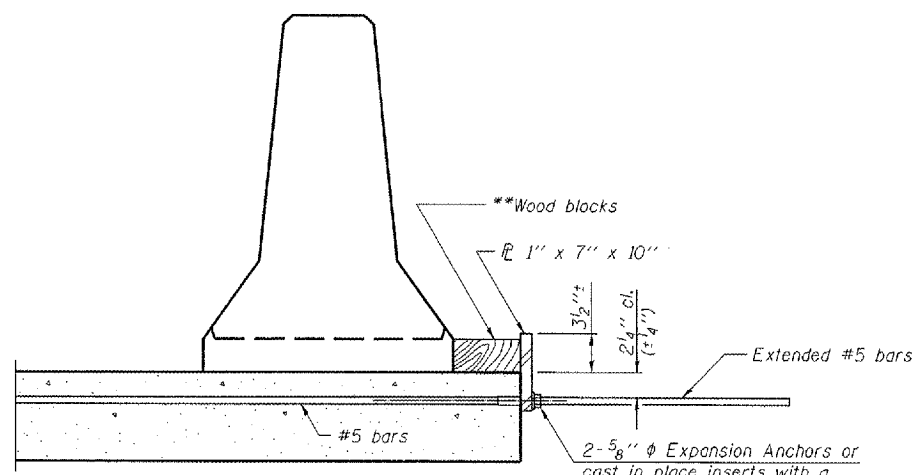
SHEET NO. 3  
9 SHEETS



SECTIONS THRU SLAB



DETAIL I



DETAIL II

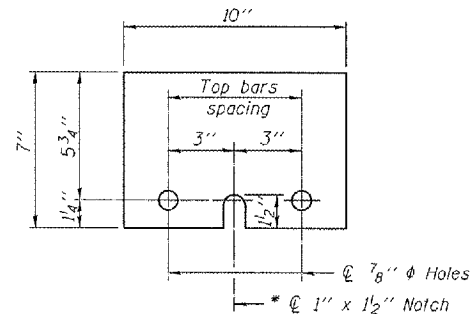
\*\* Wood blocks may be omitted when required to provide minimum stage traffic lane width. When the wood blocks are omitted, the concrete barrier shall be in direct contact with the steel retainer plate.

NOTES

Detail I - With Bar Splicer or Couplers:  
Connect one (1) 1"x7"x10" steel  $\bar{L}$  to the top layer of couplers with 2-5/8"  $\phi$  bolts screwed to coupler at approximate  $\bar{C}$  of each barrier panel.

Detail II - With Extended Reinforcement Bars:  
Connect one (1) 1"x7"x10" steel  $\bar{L}$  to the concrete slab with 2-5/8"  $\phi$  Expansion Anchors or cast in place inserts spaced between the top layer of reinforcement at approximate  $\bar{C}$  of each barrier panel.

Cost of anchorage is included with Temporary Concrete Barrier. The 1" x 7" x 10" plate shall not be removed until stage II construction forms and all reinforcement bars are in place and the concrete is ready to be placed.



STEEL RETAINER  $\bar{L}$  1" x 7" x 10"

\* Required only with Detail II

**LIN ENGINEERING, LTD.**  
200 W. Chestnut Chicago, Illinois 60629  
3121 483-9653 Fax: 3121 483-4706  
Designer: By: WJ Checked: By: JFW Drawn: By: JMD  
Date: 03/2004 File: 0528250.DWG

REVISIONS	
NAME	DATE

ILLINOIS DEPARTMENT OF TRANSPORTATION  
TEMPORARY CONCRETE BARRIER  
FOR STAGE CONSTRUCTION  
F.A. RTE 315 (U.S. ROUTE 136)  
SECTION (108B)BR  
McDONOUGH COUNTY  
STA. 143+07.44  
S.N. 055-2500