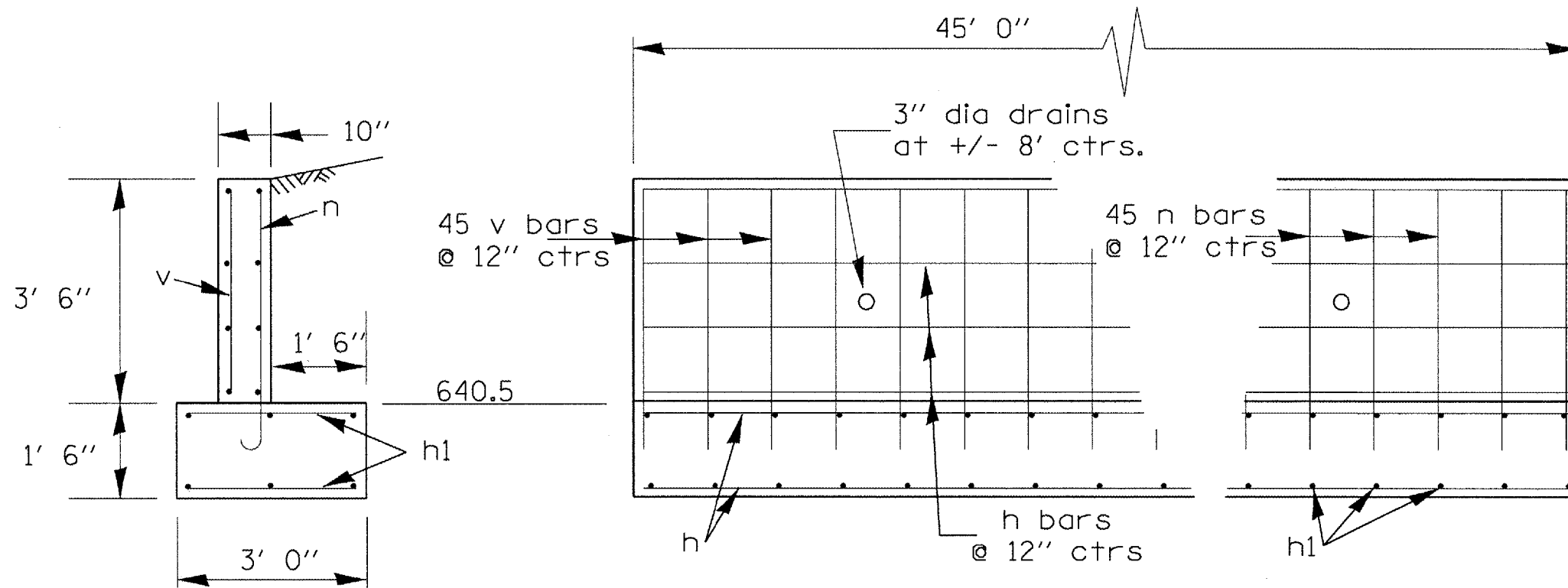
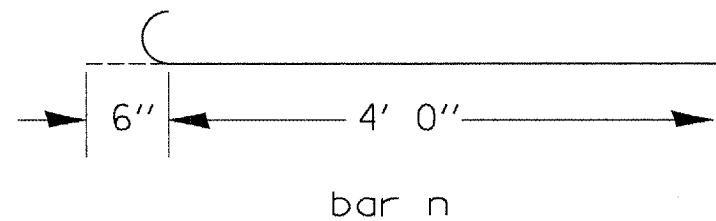


F.A.P. RTE.	SECTION	COUNTY	TOTAL SHEETS	SHEET NO.
315	1108BIBR.BR-1	McDonough	80	57
STA.		TO STA.		
FED. ROAD DIST. NO.		ILLINOIS FED. AID PROJECT		



Bill of Material

Bar	No.	Size	Length	Shape
h	56	4	12' 0"	_____
h1	90	4	2' 8"	_____
n	45	4	4' 6"	┌_____┐
v	45	4	3' 2"	_____
Reinforcement Bars				840 lbs.
Class SI Concrete				12.4 cy



PLOT DATE: 8/1/2007  
 PLOT SCALE: 1/8"=1'-0"  
 USER NAME: jlogan

REVISIONS	
NAME	DATE

ILLINOIS DEPARTMENT OF TRANSPORTATION

Retaining Wall  
Detail

SCALE: VERT. \_\_\_\_\_  
 HORIZ. \_\_\_\_\_

DATE \_\_\_\_\_

DRAWN BY \_\_\_\_\_  
 CHECKED BY \_\_\_\_\_