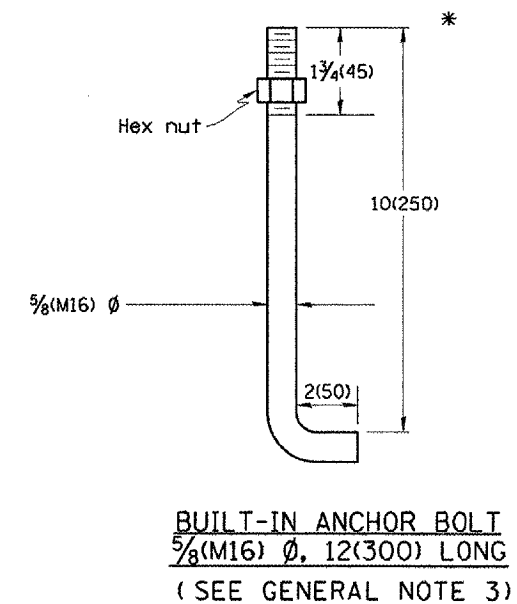
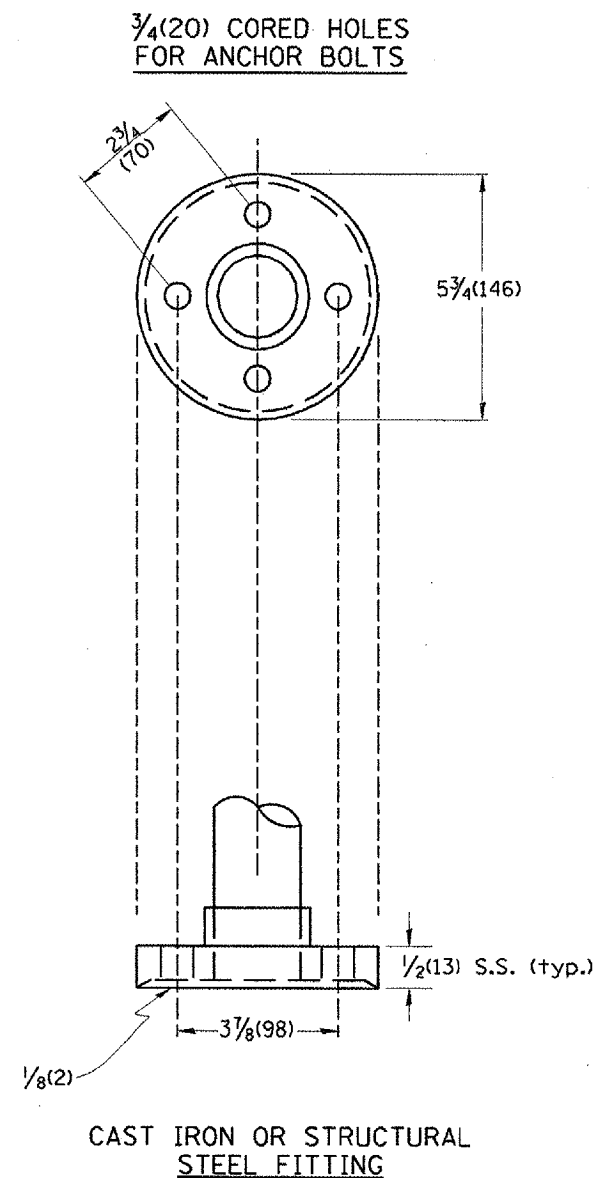
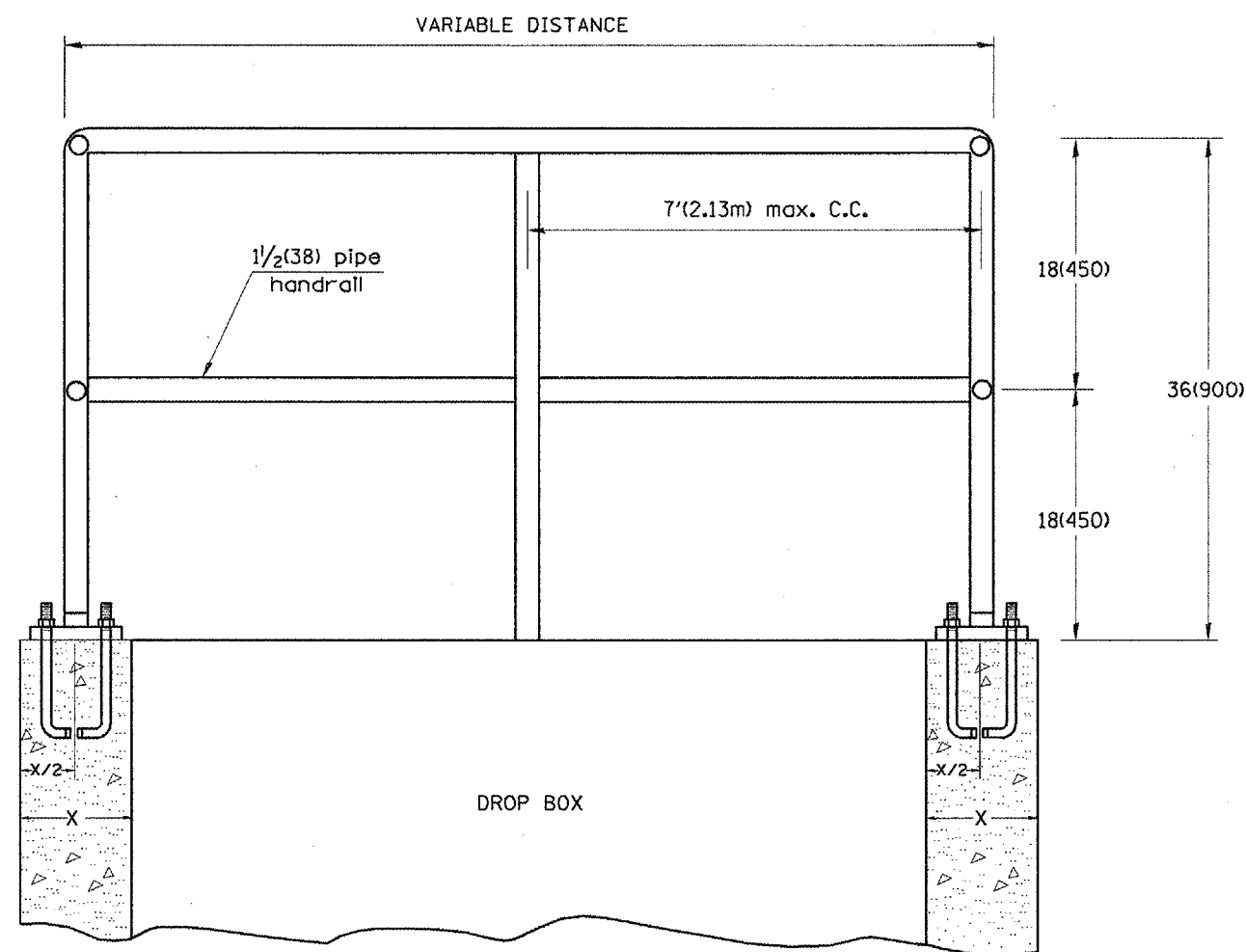


F.A.P. RTE.	SECTION	COUNTY	TOTAL SHEETS	SHEET NO.
315	(1088)BR, BR-1	McDonough	80	75
STA. 63+00		TO STA. 74+00		
FED. ROAD DIST. NO. 7		ILLINOIS FED. AID PROJECT		



GENERAL NOTES:

- Article 509.04 of the Standard Specifications shall apply.
- Connection of railing to posts shall be made by continuous welding or with using standard pipe fitting.
- An equivalent epoxy anchor stud can be used in place of anchor shown. Anchor bolt holes shall be 3/4(20) in diameter and 5(125) deep. They shall be predrilled with an electric hammer drill to a depth of 4(100) prior to use of a pneumatic drill for the remaining 4(100). A two component encapsulated epoxy such as "Parabond" or an equivalent shall be used. Installation shall be according to Manufacturer's recommendations.
- The pipe handrail shall be galvanized by the hot dip process.

All dimensions are in inches (millimeters) unless otherwise noted.

ILLINOIS DEPARTMENT OF TRANSPORTATION
DISTRICT CADD STANDARD

DETAIL OF PIPE HANDRAIL
FASTENING

CADD STANDARD 510001-D4
SCALE: NOT DRAWN TO SCALE
DRAWN BY CADD
CHECKED BY

DATE	REVISIONS	BY
1-1-97	RENUM. 8-11.01, METRICS, NEW REVISION BOX, REVISED TITLE BOX, REVISED NOTES	T.P.
10-16-06	REVISED TO 2007 SPEC.	M.A.

\$\$\$DATE\$\$\$