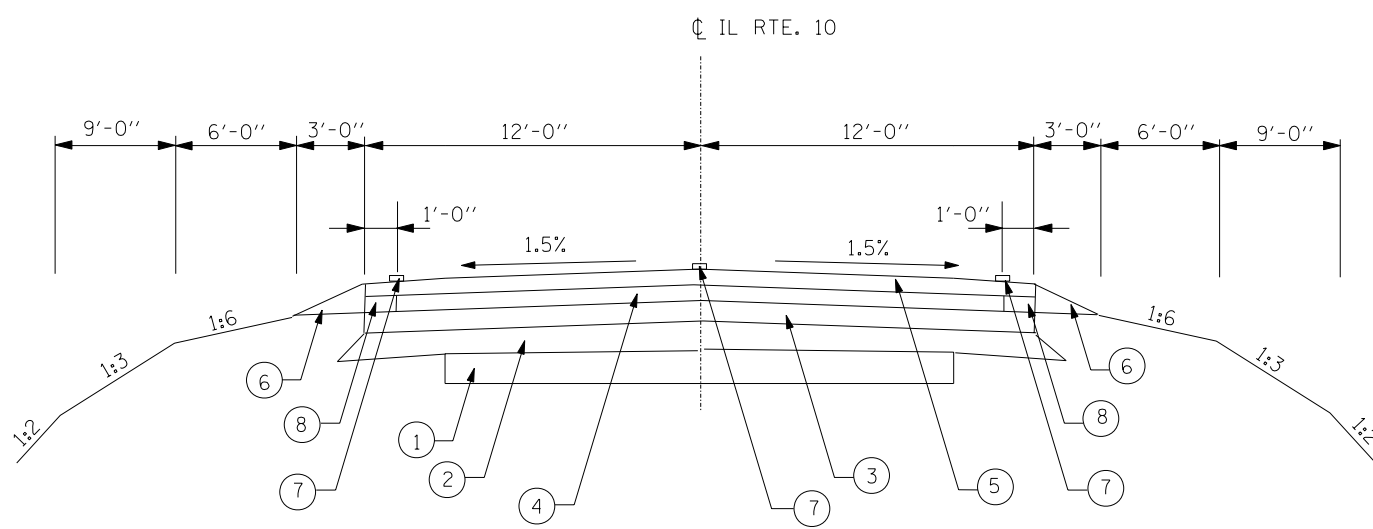
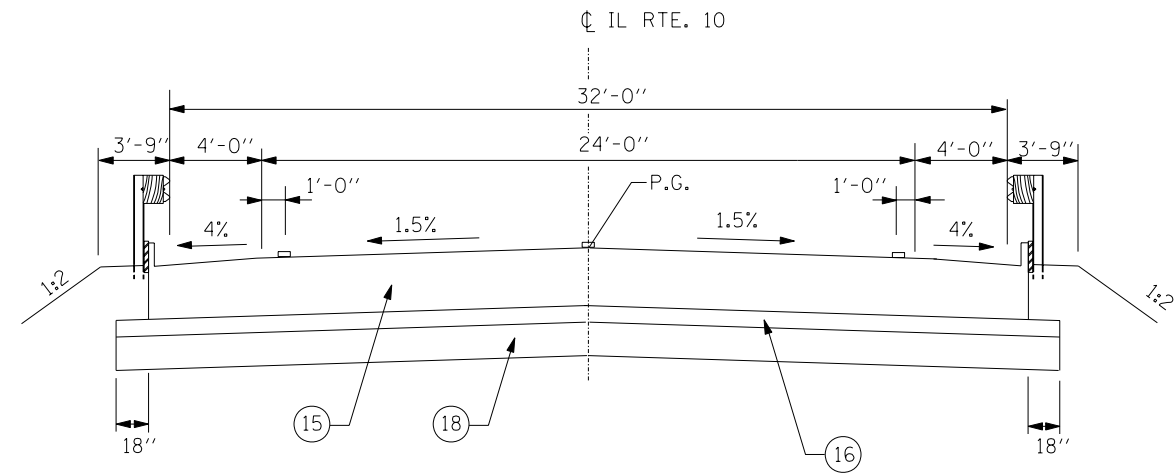


CONTRACT NO. 90919				
F.A.S. RTE.	SECTION	COUNTY	TOTAL SHEETS	SHEET NO.
1513	5BR-1	CHAMPAIGN	38	5
STA.		TO STA.		
FED. ROAD DIST. NO. 5		ILLINOIS FED. AID PROJECT		



EXISTING TYPICAL SECTION
 STA. 13+30 TO 16+38
 STA. 17+00 TO 18+70

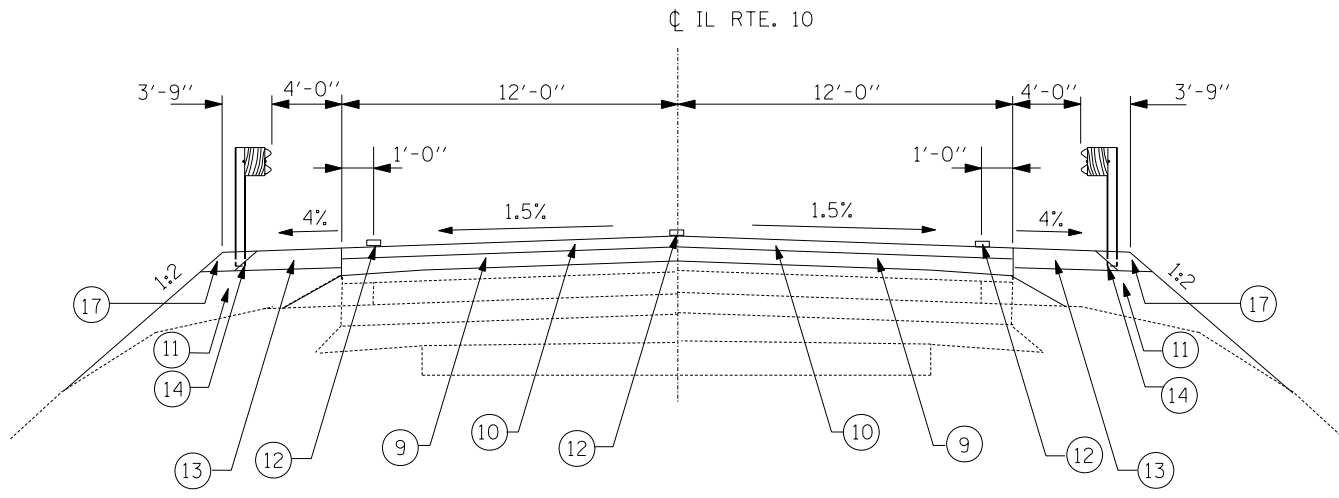


PROPOSED BRIDGE APPROACH SECTION
 STA. 15+72.28 TO 16+02.28
 STA. 17+35.72 TO 17+65.72
 (HIGHWAY STANDARD 420401)

LEGEND

- ① PCC PAVEMENT (9''-7''-9'')
- ② GRANULAR EMBANKMENT (4''-24'')
- ③ HMA OVERLAY (VARIABLE THICKNESS)
- ④ LEVELING BINDER (3/4'')
- ⑤ HMA SURFACE COURSE (1 1/2'')
- ⑥ AGGREGATE SHOULDER WEDGE
- ⑦ PAVEMENT MARKING
- ⑧ HMA SAFETY SHOULDER
- ⑨ HMA BINDER COURSE, IL-19.0, N50 (112-952 LBS/SY)
- ⑩ HMA SURFACE COURSE, MIX C, N50 (168 LBS/SY)
- ⑪ EMBANKMENT
- ⑫ PAINT PAVEMENT MARKING
- ⑬ HMA SHOULDERS, 8''
- ⑭ STEEL PLATE BEAM GUARDRAIL, TYPE A
- ⑮ BRIDGE APPROACH PAVEMENT, 15''
- ⑯ SUB-BASE GRANULAR MATERIAL, TYPE A, 4'' (INCLUDED IN BRIDGE APPROACH PAVEMENT)
- ⑰ AGGREGATE SHOULDERS, TYPE B, 8''
- ⑱ SUB-BASE GRANULAR MATERIAL, TYPE A, 8'' AND VARIES

ALL HMA SHOULD BE PLACED WITH A STRINGLINE.



PROPOSED TYPICAL SECTION
 STA. 13+30 TO 15+72.28
 STA. 17+65.72 TO 18+70

REVISIONS	
NAME	DATE

ILLINOIS DEPARTMENT OF TRANSPORTATION
 TYPICAL SECTION
 IL ROUTE 10 OVER CAMP CREEK
 FAS RTE. 1513 SECTION 5BR-1
 STA. 16+69.00
 CHAMPAIGN COUNTY STR. 010-0275
 SCALE: N.T.S. DRAWN BY LP
 DATE MAY 2007 CHECKED BY MJS

TUG PROJ. # 3106078-02
 PLOT DATE = 7/19/2007 3:28:41 PM
 FILE NAME = p:\1001\dist\1513\Comp. Creek Revised.MD 2\CADD\typical.dgn