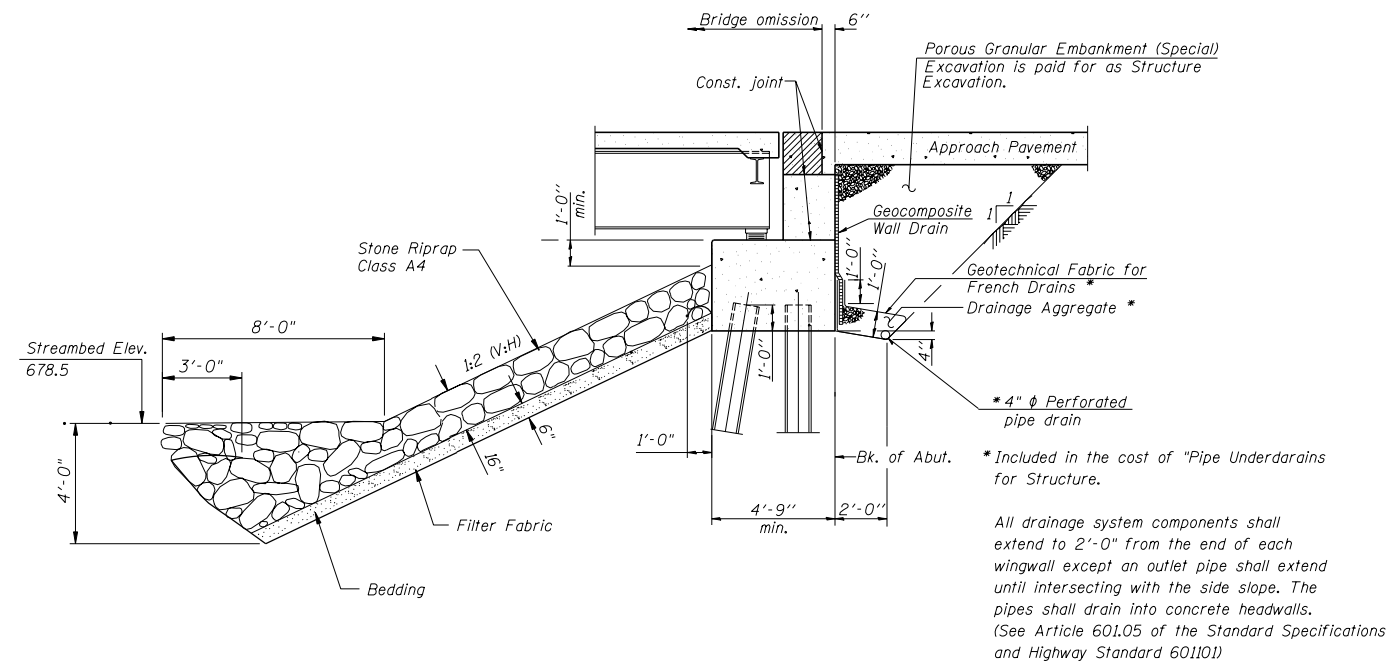
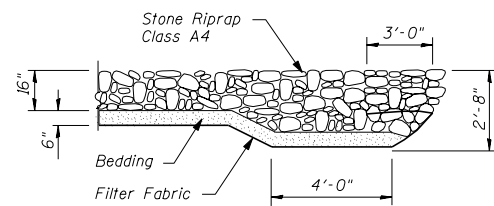


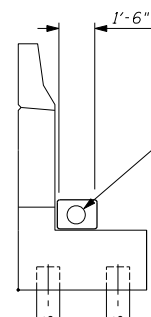
F.A.S. RTE.	SECTION	COUNTY	TOTAL SHEETS	SHEET NO.
1513	5BR-1	CHAMPAIGN	38	13
STA.		TO STA.		
FED. ROAD DIST. NO. 5		ILLINOIS FED. AID PROJECT		



SECTION THRU PILE BENT ABUTMENT
(at Rt. L's)



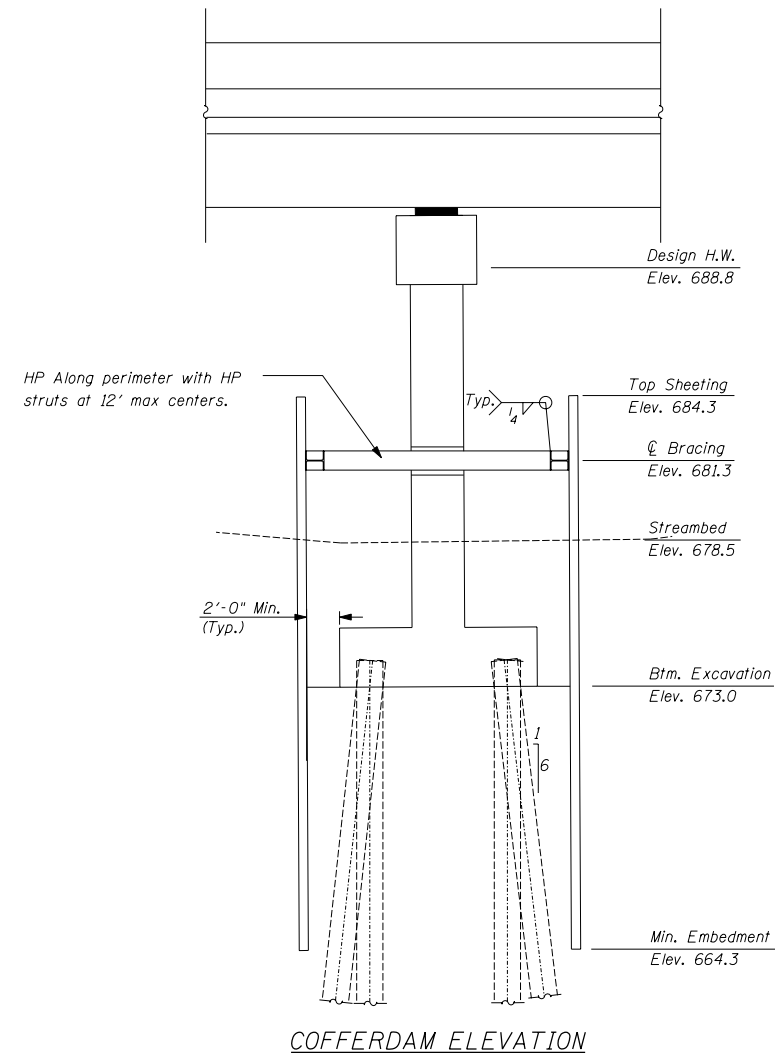
SECTION A-A



SECTION THRU RETAINING WALL
(at Rt. L's)

A 6" ϕ perforated drain pipe in accordance with Section 601 of the Standard Specification encased in 18" of gravel or crushed stone. Extend pipe parallel with the cap from the back of the abutment to past the end of the wall. At the wall end extend the pipe perpendicular to the wall until intersecting the sideslope.**

**Included in the cost of "Structure Excavation."
See sheet 13 of 19 for Wall Details.



COFFERDAM ELEVATION

REVISIONS	
NAME	DATE

ILLINOIS DEPARTMENT OF TRANSPORTATION
COFFERDAM AND RIPRAP DETAILS
IL ROUTE 10 OVER CAMP CREEK
FAS ROUTE 1513 SECTION 5BR-1
STA. 16+69.00
CHAMPAIGN COUNTY STR. 010-0275

SCALE: N.T.S. DRAWN BY LP
DATE MAY 2007 CHECKED BY MJS