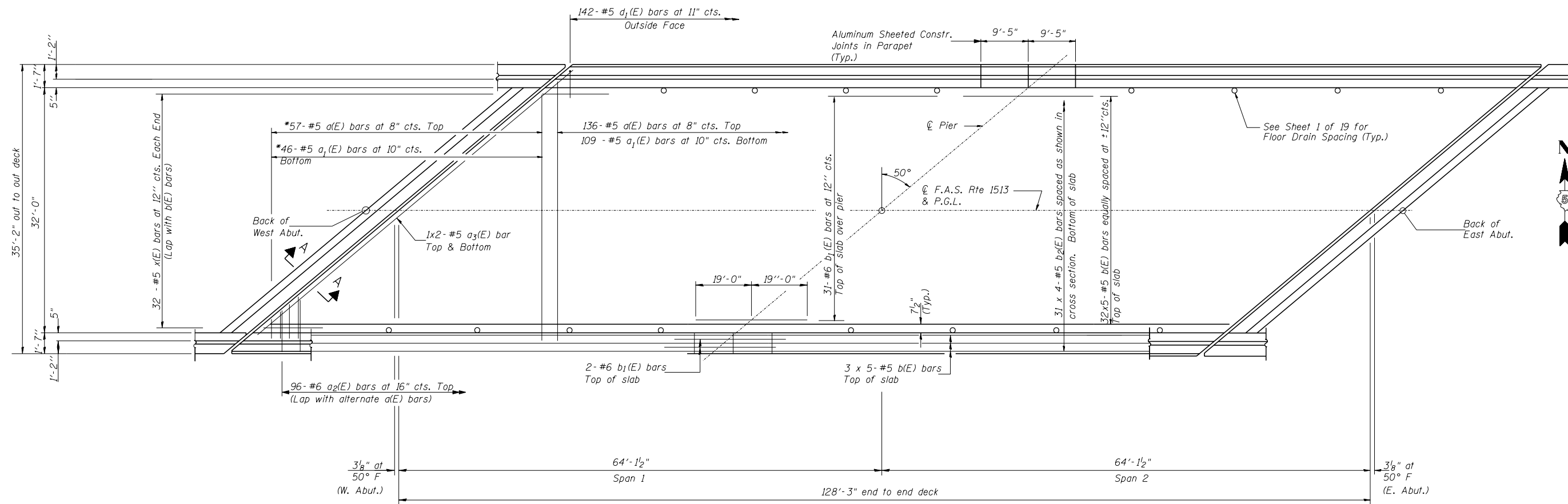


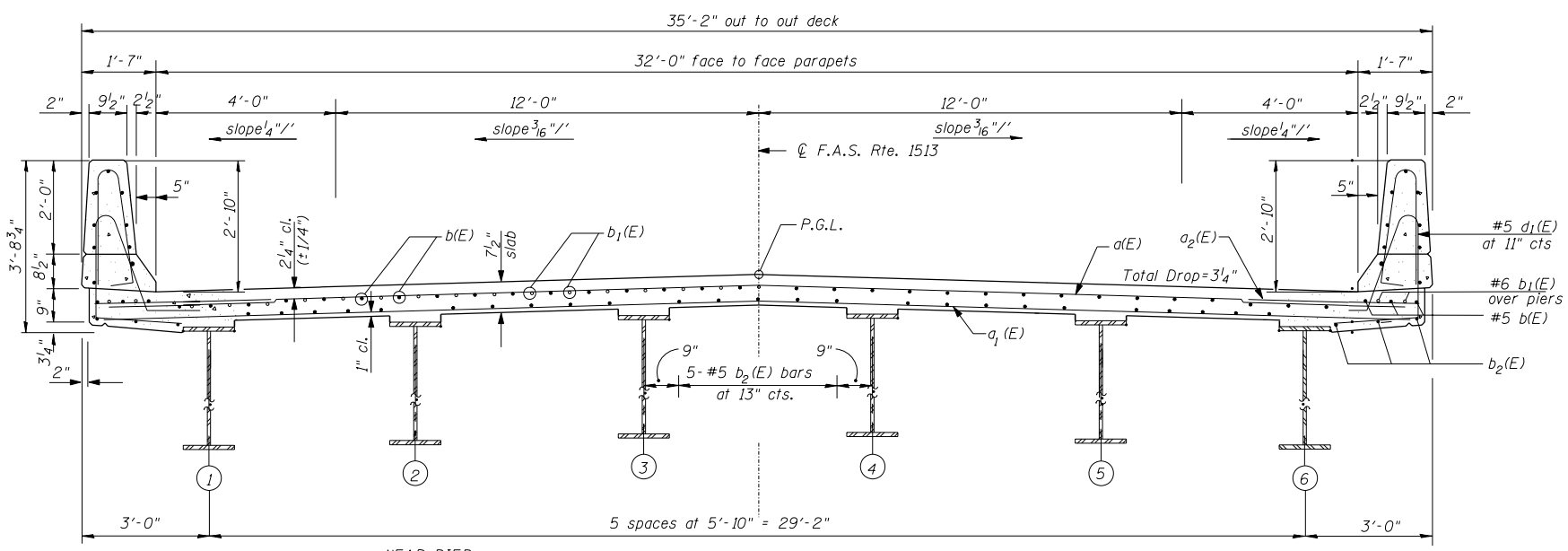
F.A.S. RTE.	SECTION	COUNTY	TOTAL SHEETS	SHEET NO.
1513	5BR-1	CHAMPAIGN	38	16

STA.	TO STA.
FED. ROAD DIST. NO. 5	ILLINOIS FED. AID PROJECT



PLAN

\* Order a(E) and a1(E) bars full length. Cut to fit skew and use remainder of bars in opposite end.



CROSS SECTION  
(Looking Upstation)

Notes:  
 See Sheet 6 of 19 for superstructure details and Bill of Material.  
 Bars indicated thus 31 x 4-#5 etc. indicates 31 lines of bars with 4 lengths per line.  
 See Sheet 6 of 19 for parapet reinforcement.  
 Reinforcement bars shown on this sheet are included in Bill of Material on Sheet 6 of 19.  
 See Sheet 6 of 19 for Section A-A.  
 Work this sheet with sheet 6 of 19.

MIN. BAR LAP  
 #5 Bar = 1'-8"  
 #6 Bar = 2'-0"

REVISIONS	
NAME	DATE

ILLINOIS DEPARTMENT OF TRANSPORTATION  
 DECK DETAILS  
 IL ROUTE 10 OVER CAMP CREEK  
 FAS RTE. 1513 SECTION 5BR-1  
 STA. 16+69.00  
 CHAMPAIGN COUNTY STR. 010-0275  
 SCALE: N.T.S. DRAWN BY LP  
 DATE MAY 2007 CHECKED BY MJS

TUG PROJ. # 3106078-02  
 PLOT DATE = 7/19/2007 3:56:19 PM  
 FILE NAME = p:\1007\dist\1513\Camp\_Creek\_Rev\std.MD\_2\CADD\deck.dgn