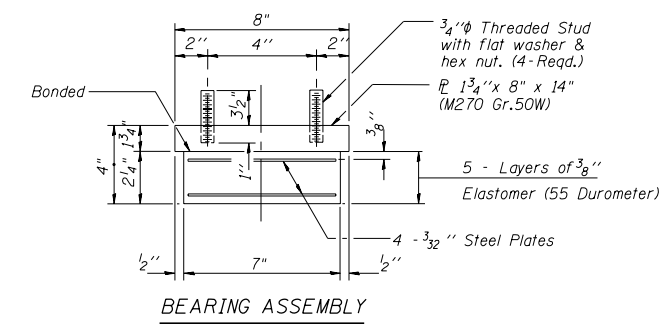
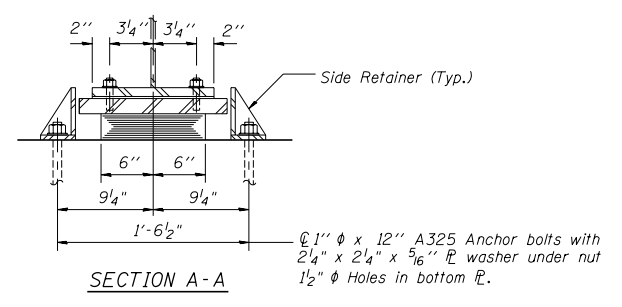
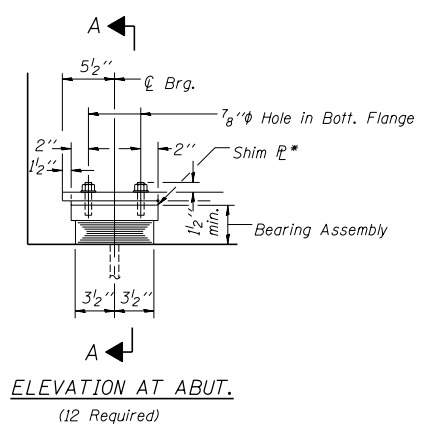
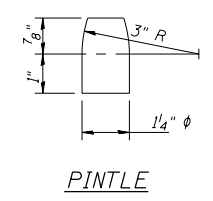
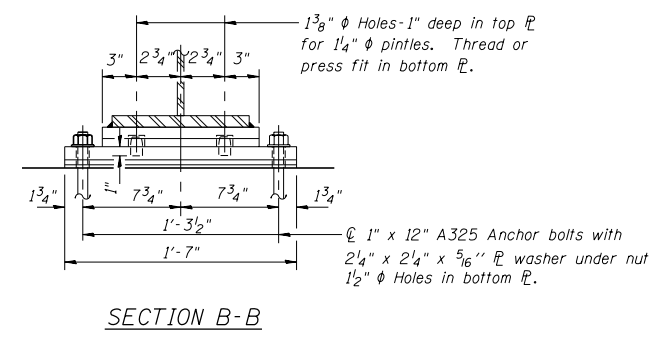
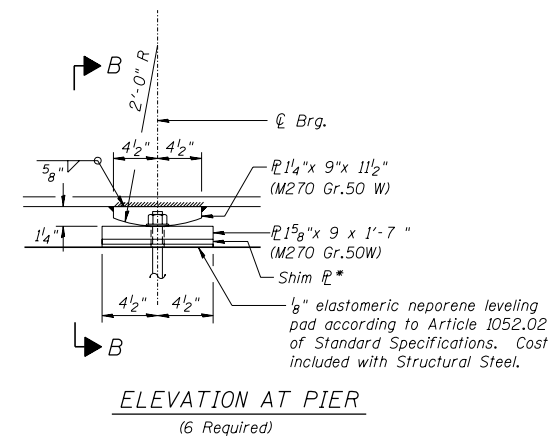


F.A.S. RTE.	SECTION	COUNTY	TOTAL SHEETS	SHEET NO.
1513	5BR-1	CHAMPAIGN	38	19
STA.		TO STA.		
FED. ROAD DIST. NO. 5		ILLINOIS FED. AID PROJECT		
SHEET 8 OF 19 SHEETS				



Note: Shim plates shall not be placed under Bearing Assembly.

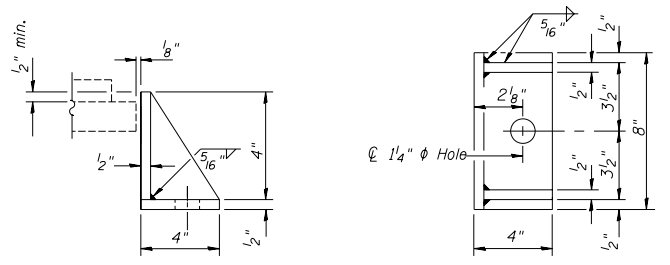
TYPE I ELASTOMERIC EXP. BRG.



Notes:
Anchor bolts at fixed bearings may be either cast in place or installed in holes drilled after the supported member is in place.
Anchor bolts for side retainers may be cast in place or installed in holes drilled before or after members are in place.
Drilled and set anchor bolts shall be installed according to Article 521.06 of the Standard Specifications.
Side retainers and other steel members required for the bearing assembly shall be included in the cost of Elastomeric Bearing Assembly, Type I.

See sheet 15 of 19 for Anchor Bolt installation.

FIXED BEARING



SIDE RETAINER
Equivalent rolled angle with stiffeners will be allowed in lieu of welded plates.
(24 Required)

* SHIM PL REQUIRED IN ADDITION TO THE TWO 1/8" ADJUSTING SHIMS

Location	Beam No.	Shim PL Thickness (in.)
West Abutment	Beam 3	3/8"
	Beam 4	3/4"
East Abutment	Beam 3	3/8"
	Beam 4	3/4"
Pier	Beam 3	3/8"
	Beam 4	3/4"

BILL OF MATERIAL

Item	Unit	Total
Elastomeric Bearing Assembly Type I	Each	12

REVISIONS	
NAME	DATE

ILLINOIS DEPARTMENT OF TRANSPORTATION
STEEL AND BEARING DETAILS
IL ROUTE 10 OVER CAMP CREEK
FAS RTE. 1513 SECTION 5BR-1
STA. 16+69.00
CHAMPAIGN COUNTY STR. 010-0275
SCALE: N.T.S. DRAWN BY LP
DATE MAY 2007 CHECKED BY MJS