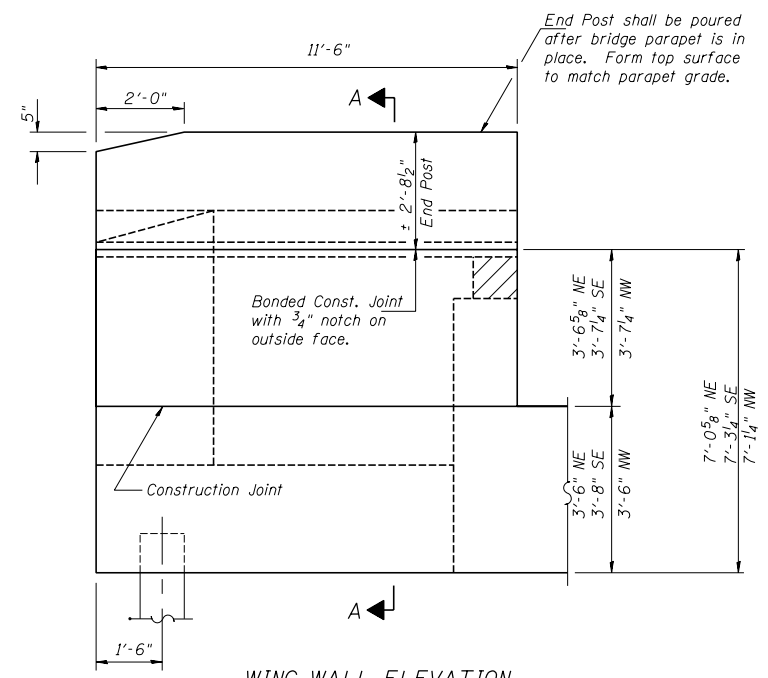
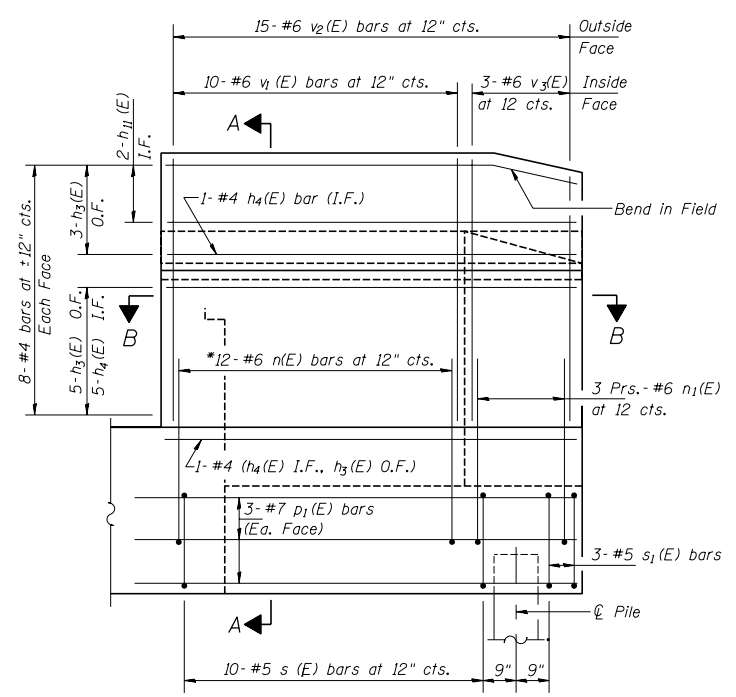


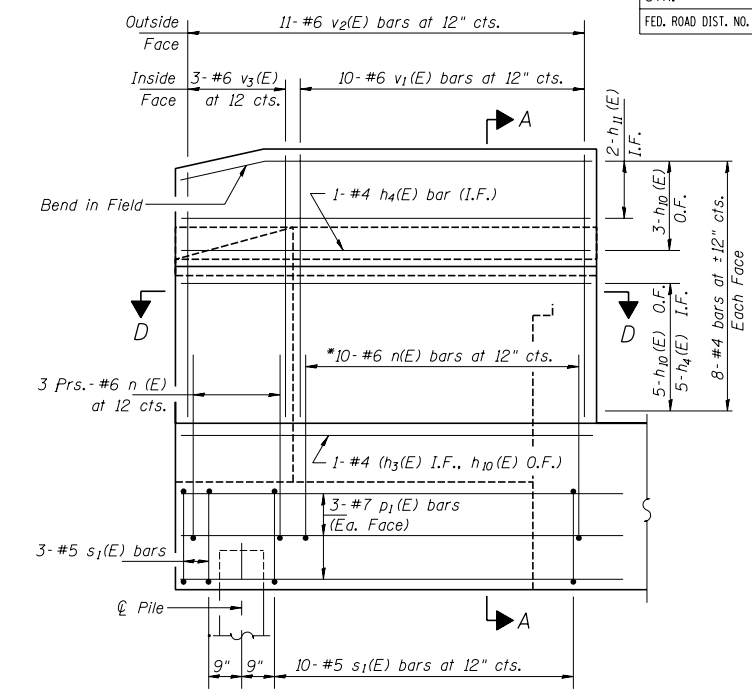
F.A.S. RTE.	SECTION	COUNTY	TOTAL SHEETS	SHEET NO.
1513	5BR-1	CHAMPAIGN	38	23
STA.		TO STA.		
FED. ROAD DIST. NO. 5		ILLINOIS FED. AID PROJECT		
SHEET 12 OF 19 SHEETS				



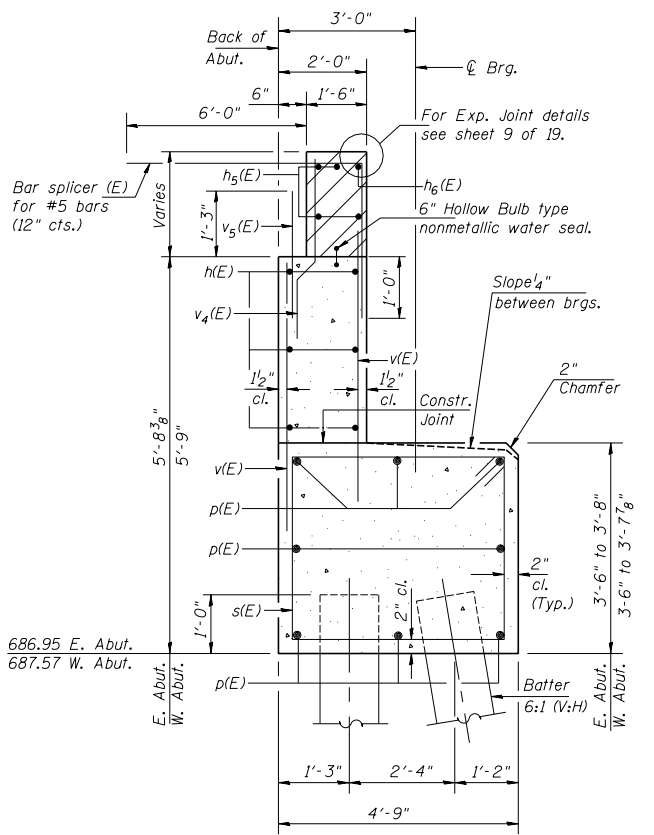
**WING WALL ELEVATION**  
(Showing Dimensions along inside Face of Parapet)



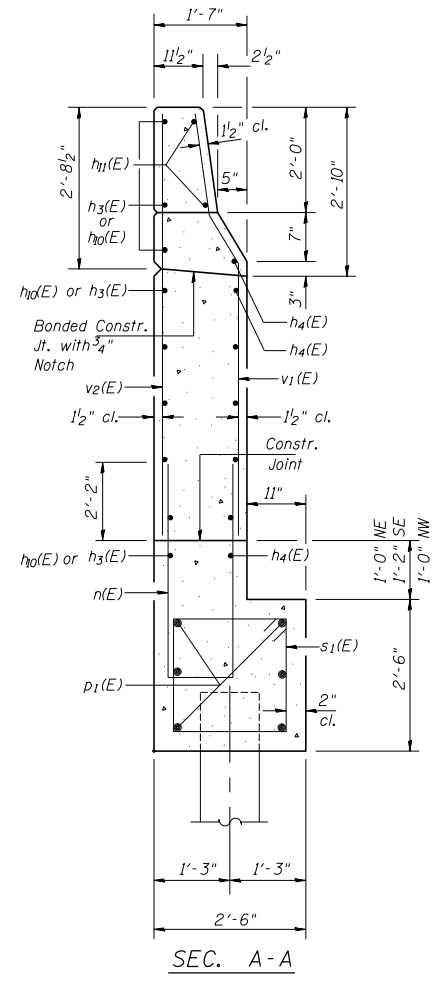
**WING WALL ELEVATION**  
(Showing Reinforcement for SE and NW wingwall)



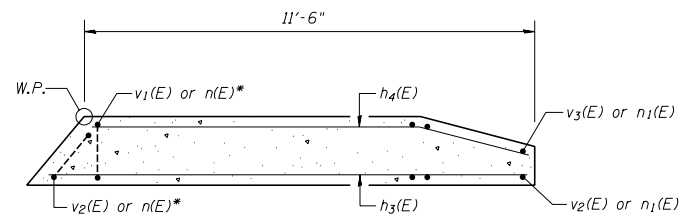
**WING WALL ELEVATION**  
(Showing Reinforcement for SE and NE wingwall)



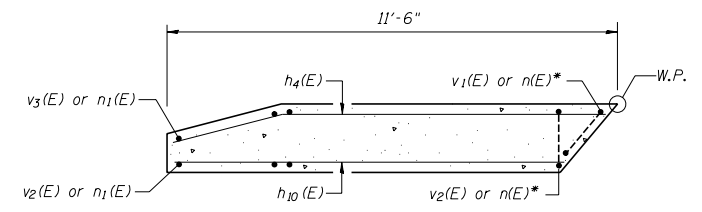
**SEC. THRU ABUT.**  
(at Rt. L's)



**SEC. A-A**



**SEC. B-B**



**SEC. D-D**

\* Rotate n (E) bars to fit within wingwall

Notes: 1. Work this sheet with Sheet 10 and 11 of 19.

REVISIONS	
NAME	DATE

ILLINOIS DEPARTMENT OF TRANSPORTATION  
**WINGWALL DETAILS**  
 IL ROUTE 10 OVER CAMP CREEK  
 FAS RTE. 1513 SECTION 5BR-1  
 STA. 16+69.00  
 CHAMPAIGN COUNTY STR. 010-0275  
 SCALE: N.T.S. DRAWN BY LP  
 DATE MAY 2007 CHECKED BY MJS