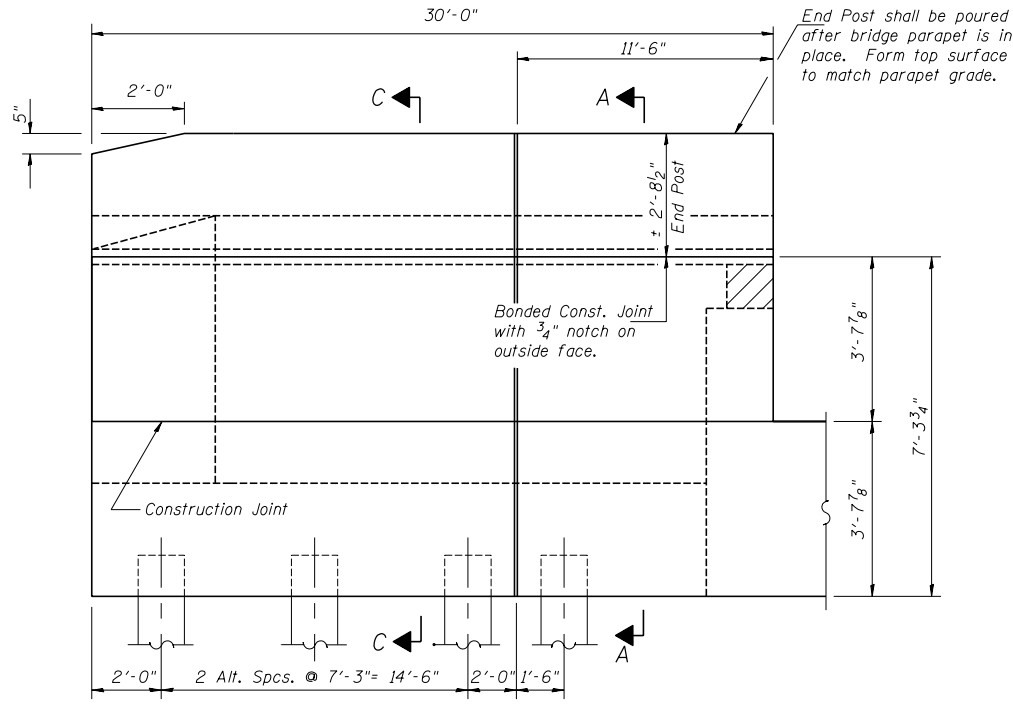
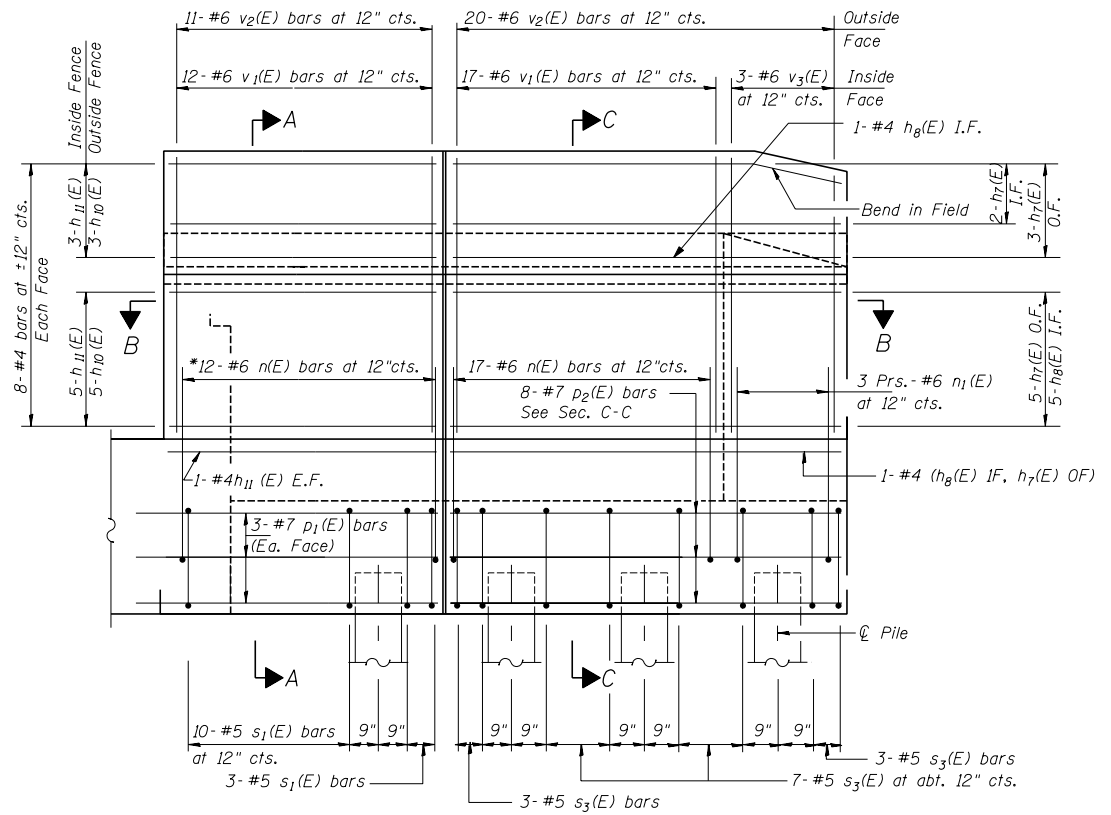


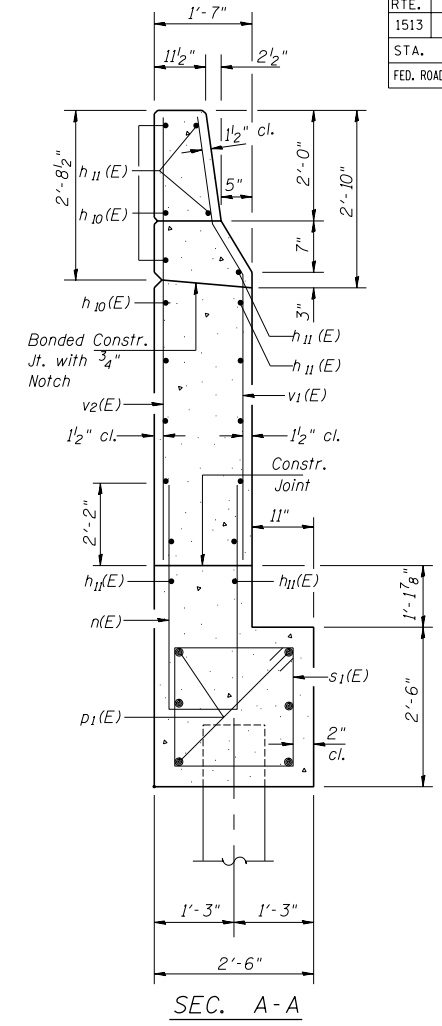
F.A.S. RTE.	SECTION	COUNTY	TOTAL SHEETS	SHEET NO.
1513	5BR-1	CHAMPAIGN	38	24
STA.		TO STA.		
FED. ROAD DIST. NO. 5		ILLINOIS FED. AID PROJECT		
SHEET 13 OF 19 SHEETS				



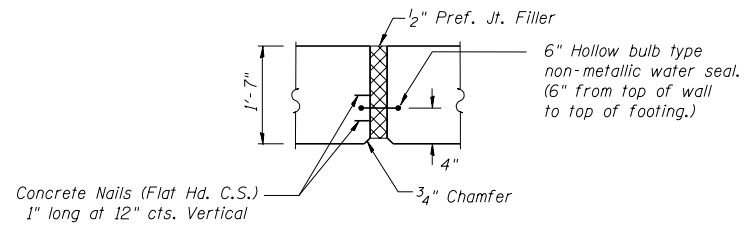
**RETAINING WALL & WING WALL ELEVATION**  
(Showing Dimensions along inside Face of Parapet)



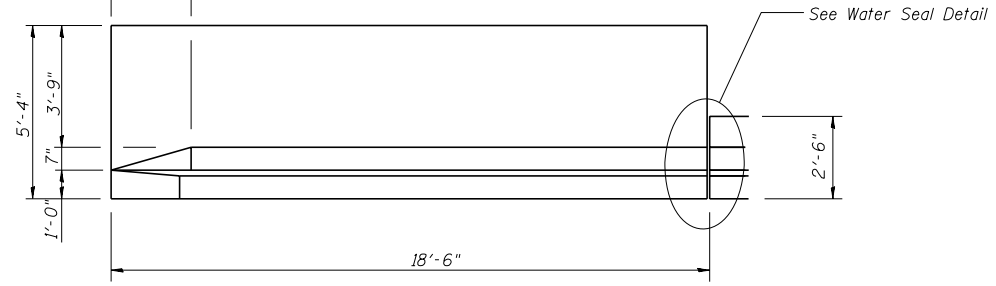
**RETAINING WALL & WING WALL ELEVATION**  
Showing Reinforcement



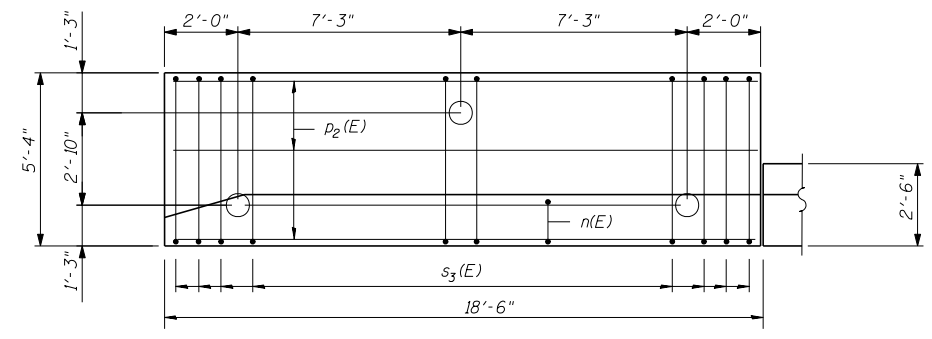
**SEC. A-A**



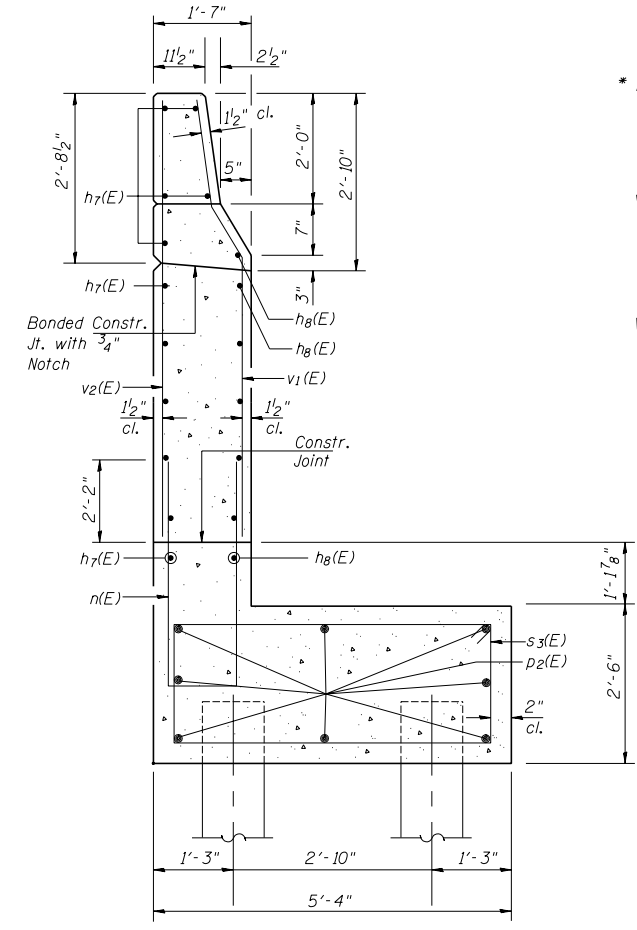
**WATER SEAL DETAIL**



**RETAINING WALL - TOP VIEW**

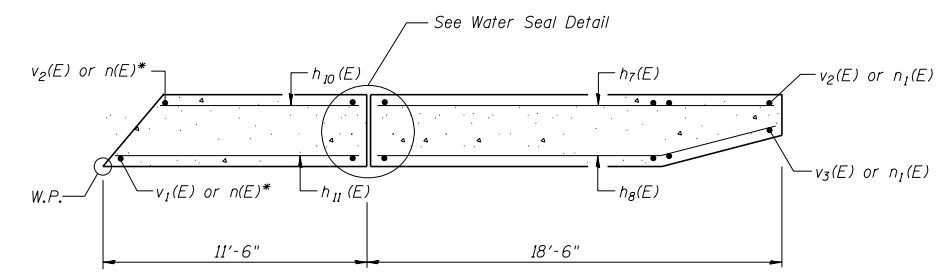


**RETAINING WALL PLAN - PILE CAP**



**SEC. C-C**

\* Rotate n(E) bars to fit within wingwall



**SEC. B-B**

- Notes:
- Quantity of concrete in end post included with Concrete Superstructure on Sheet 6 of 19.
  - See Sheet 2 of 19 for drainage details behind Retaining Wall.
  - Work this sheet with Sheet 11 and 12 of 19.

REVISIONS	
NAME	DATE

ILLINOIS DEPARTMENT OF TRANSPORTATION  
SW WING WALL DETAILS  
IL ROUTE 10 OVER CAMP CREEK  
FAS RTE. 1513 SECTION 5BR-1  
STA. 16+69.00  
CHAMPAIGN COUNTY STR. 010-0275  
SCALE: N.T.S. DRAWN BY LP  
DATE MAY 2007 CHECKED BY MJS

TUG PROJ. # 3106076-02  
PLOT DATE 7/20/2007 11:02:21 AM  
FILE NAME \_p1100\Distrect5\Camp Creek Revised.WG 2\CAD001-estall.dgn