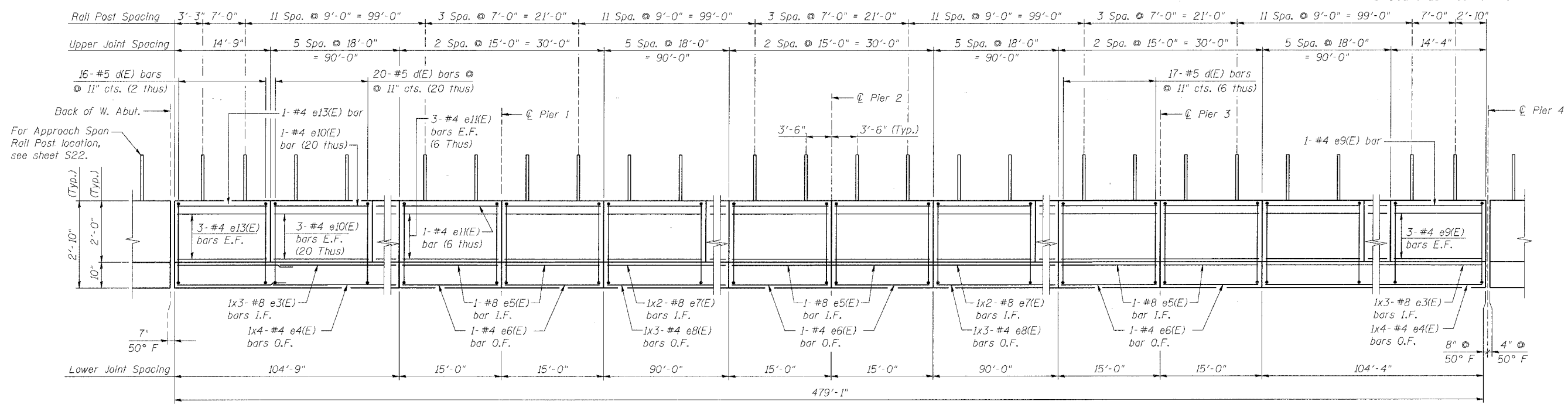
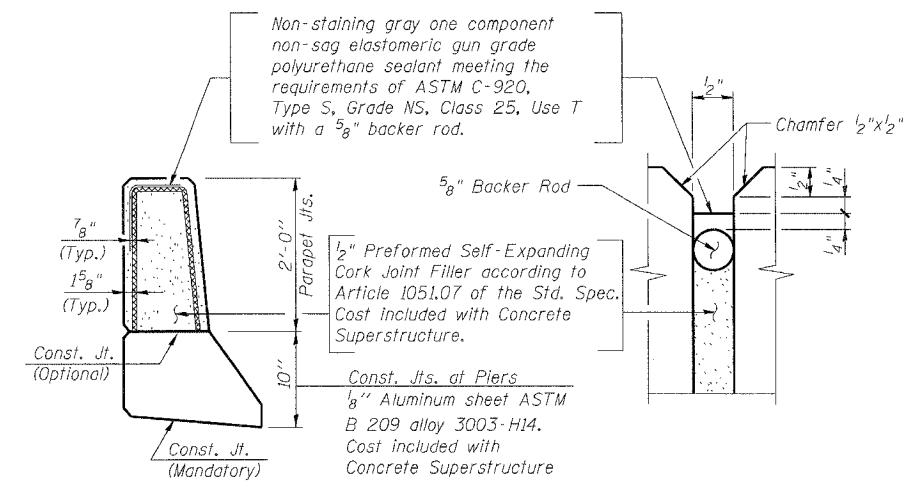


ROUTE No.	SECTION	COUNTY	TOTAL SHEETS	SHEET NO.
F.A.P. 827	12Z-3, 12BR	WABASH, IL GIBSON, IN	158	47
STA.		TO STA.		
F.H.W.A. REGION		ILLINOIS	PROJECT	

BRIDGE SHEET S31 OF S114 CONTRACT 94450



**INSIDE ELEVATION OF PARAPET - UNIT 1**  
(North Parapet Looking North, South Parapet Similar)



**PARAPET JOINT DETAILS**

- NOTES:**
1. For bar list and bill of materials, See Sheet S35.
  2. For parapet railing details, See Sheet S45.
  3. Bars indicated thus: 1x4-#5 ect., indicates 1 line of bars with 4 lengths per line.
  4. Use the following minimum lap lengths unless otherwise noted:  
#5 - 2'-2"  
#8 - 4'-6"
  5. I.F. denotes Inside Face  
O.F. denotes Outside Face  
E.F. denotes Each Face
  6. For section through parapet, see Sheet S29.

DESIGNED	WJZ
CHECKED	ADD/KWS
DRAWN	WJZ/RMG
CHECKED	ADD

**benesch**  
alfred benesch & company  
Engineers • Surveyors • Planners  
205 North Michigan Avenue, Suite 2400  
Chicago, Illinois 60601  
312-565-0450  
Job No. 3426

ILLINOIS DEPARTMENT OF TRANSPORTATION  
IL ROUTE 15/IN ROUTE 64  
OVER WABASH RIVER PUBLIC WATERS  
FAP 827 SECT 12Z-3, 12BR  
**PARAPET ELEVATION AND  
RAIL POST SPACING - UNIT 1**  
SN: 093-0021 (IL)/9502700 (IN) STA. 1036-27  
WABASH CO., IL. DATE: JUNE 15, 2007

m:\pro\3426\stage\_2\structures\design\super\spodt001.dgn 6/26/2007 1:00:02 PM