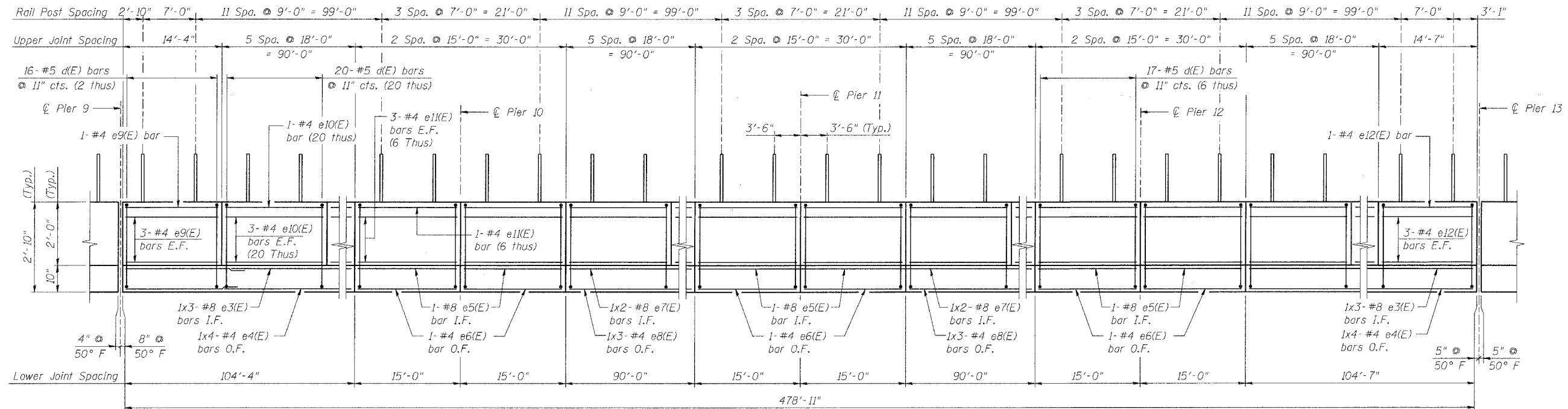


ROUTE No.	SECTION	COUNTY	TOTAL SHEETS	SHEET NO.
F.A.P. 827	12Z-3, 12BR	WABASH, IL GIBSON, IN	158	49
STA.		TO STA.		
F.H.W.A. REGION		ILLINOIS	PROJECT	

BRIDGE SHEET S33 OF S114 CONTRACT 94450



INSIDE ELEVATION OF PARAPET - UNIT 3
(North Parapet Looking North, South Parapet Similar)

NOTES:

1. For bar list and bill of materials, See Sheet S36.
2. For parapet railing details, See Sheet S45.
3. Bars indicated thus: 1x4-#5 etc., indicates 1 line of bars with 4 lengths per line.
4. Use the following minimum lap lengths unless otherwise noted:
#5 - 2'-2"
#8 - 4'-6"
5. I.F. denotes Inside Face
O.F. denotes Outside Face
E.F. denotes Each Face
6. For section through parapet, see Sheet S29.

DESIGNED	WJZ
CHECKED	ADD/KWS
DRAWN	WJZ/RMG
CHECKED	ADD

benesch

alfred benesch & company
Engineers • Surveyors • Planners
206 North Michigan Avenue, Suite 2400
Chicago, Illinois 60601
312-666-0450
Job No. 3426

ILLINOIS DEPARTMENT OF TRANSPORTATION
IL ROUTE 15/IN ROUTE 64
OVER WABASH RIVER PUBLIC WATERS
FAP 827 SECT 12Z-3, 12BR
**PARAPET ELEVATION AND
RAIL POST SPACING - UNIT 3**

SN: 093-0021 (IL)/9502700 (IN) STA. 1036+27
WABASH CO., IL. DATE: JUNE 15, 2007

m:\pro\3426\stage_2\structures\design\super\spad1003.dgn

10:06 PM

6/26/2007