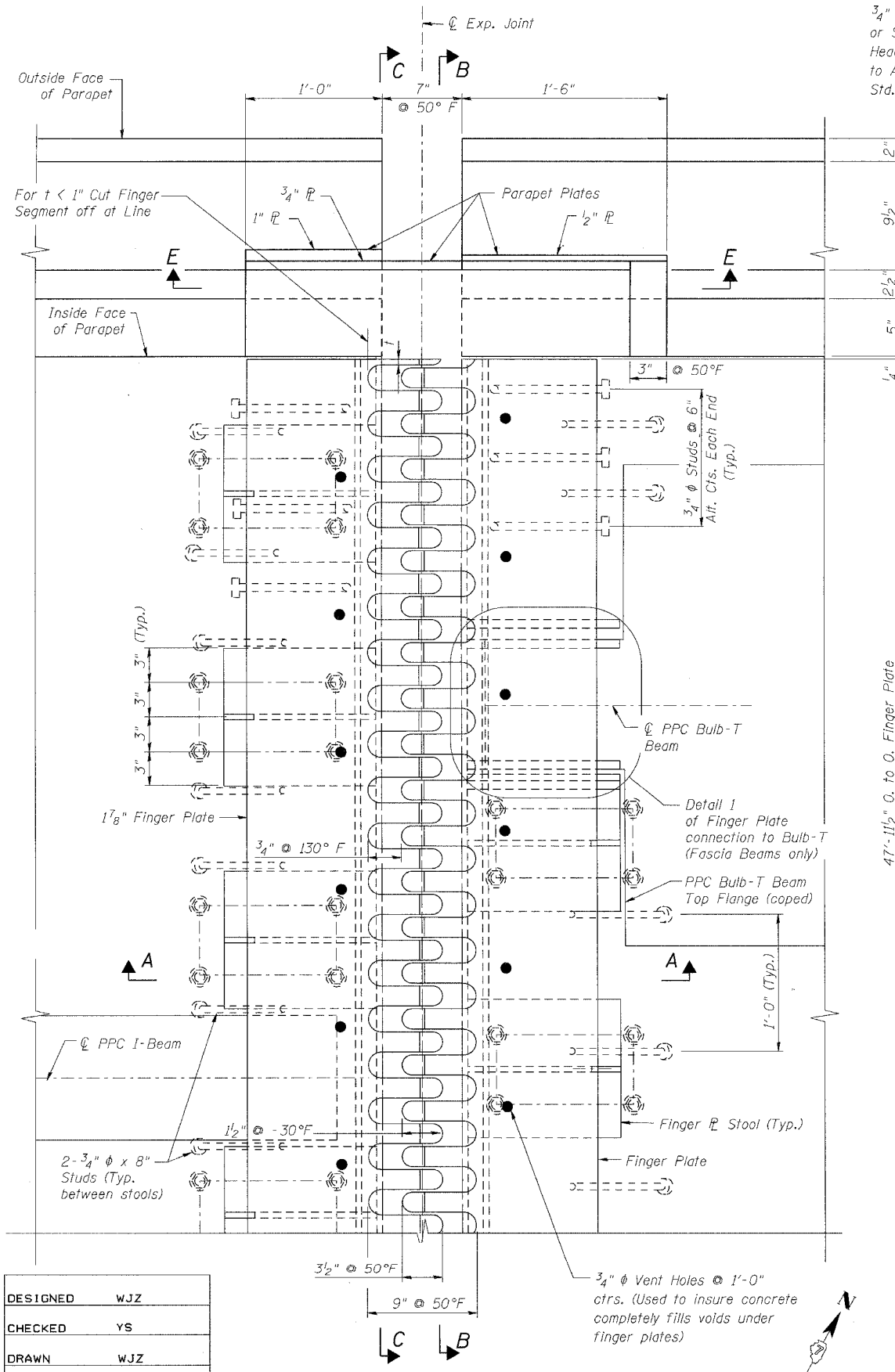
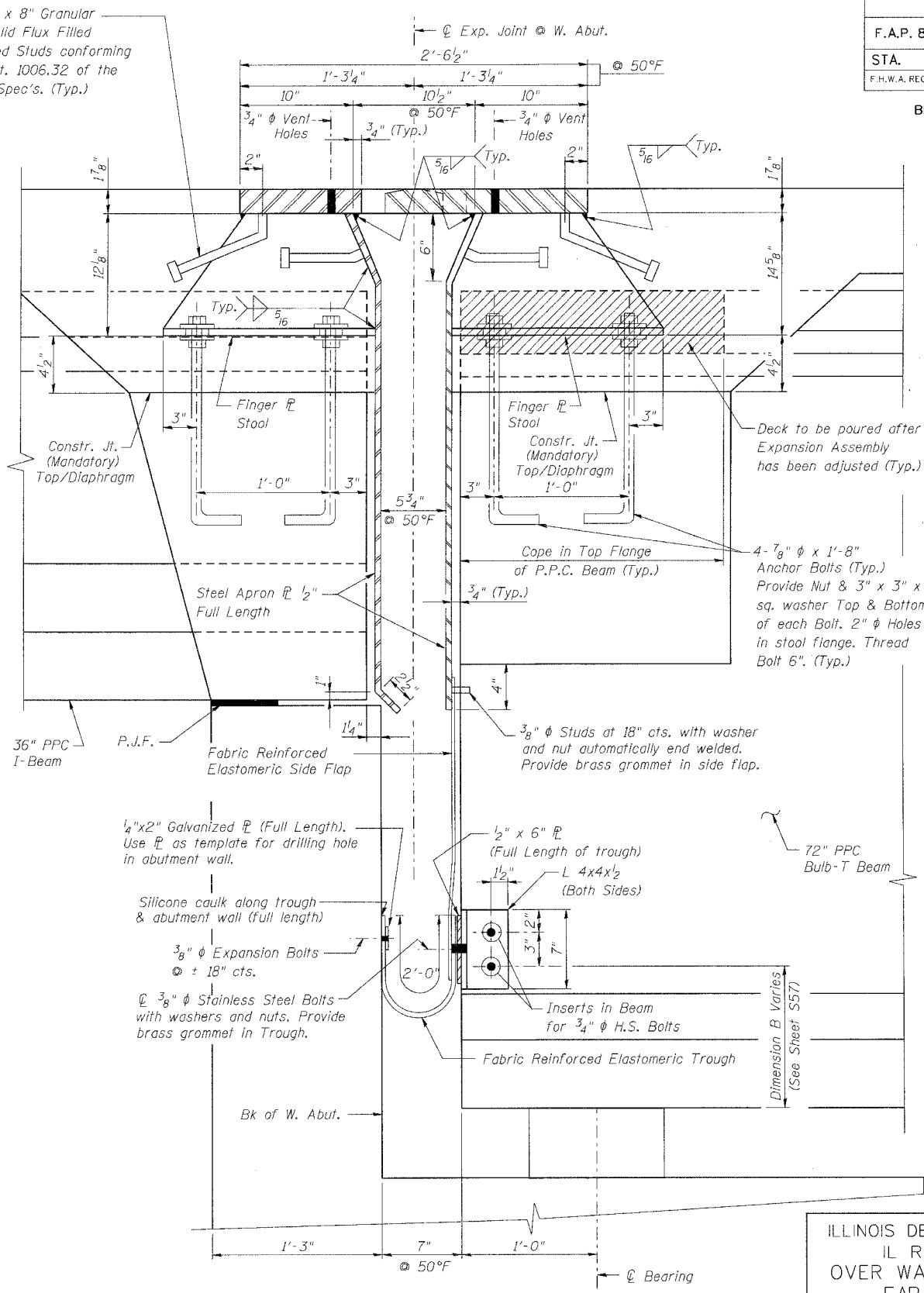


ROUTE No.	SECTION	COUNTY	TOTAL SHEETS	SHEET NO.
F.A.P. 827	12Z-3, 12BR	WABASH, IL GIBSON, IN	158	53
STA.		TO STA.		
F.H.W.A. REGION		ILLINOIS	PROJECT	

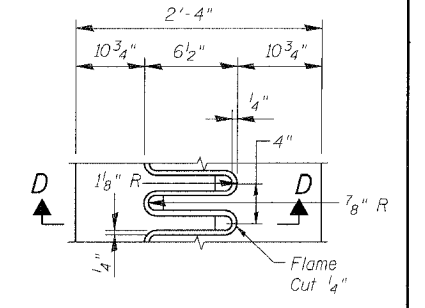
BRIDGE SHEET S37 OF S114 CONTRACT 94450



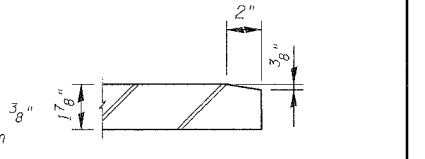
PLAN OF FINGER PLATE



SECTION A-A



FLAME CUTTING DIAGRAM



SECTION D-D

- NOTES:**
1. Work this sheet with sheet S38.
 2. For PPC Beam details, see sheets S55-S58. For Diaphragm details see sheet S46.
 3. All steel for Finger Plate Joint shall conform to AASHTO M 270 specification, Gr. 50.
 4. Design expansion ± 2 ".
 5. The cost of Steel required for Finger Plate Joint assembly shall be paid under Furnishing and Erecting Structural Steel. The cost of all Bolts (I.E. Anchor, High Strength, Expansion, Stainless Steel, etc.) shall be included in the Price for Furnishing and Erecting Structural Steel.

ILLINOIS DEPARTMENT OF TRANSPORTATION
IL ROUTE 15/IN ROUTE 64
OVER WABASH RIVER PUBLIC WATERS
FAP 827 SECT 12Z-3, 12BR
**FINGER PLATE EXPANSION JOINT
WEST ABUTMENT**

SN: 093-0021 (IL)/9502700 (IN) STA. 1036+27
WABASH CO., IL. DATE: JUNE 15, 2007

benesch
alfred benesch & company
Engineers • Surveyors • Planners
205 North Michigan Avenue, Suite 2400
Chicago, Illinois 60601
312-666-0450
Job No. 3426

m:\pro\3426\stage_2\structures\design\super\sej\1007.dgn 100:15 PM 6/26/2007