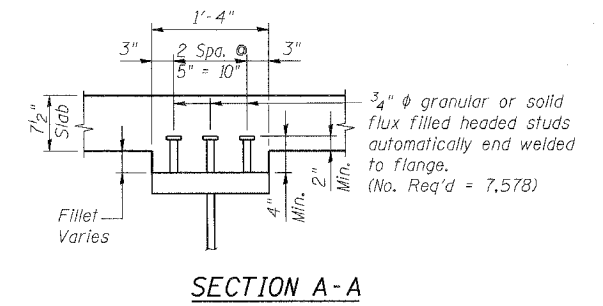
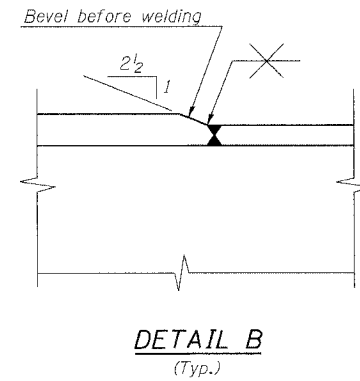
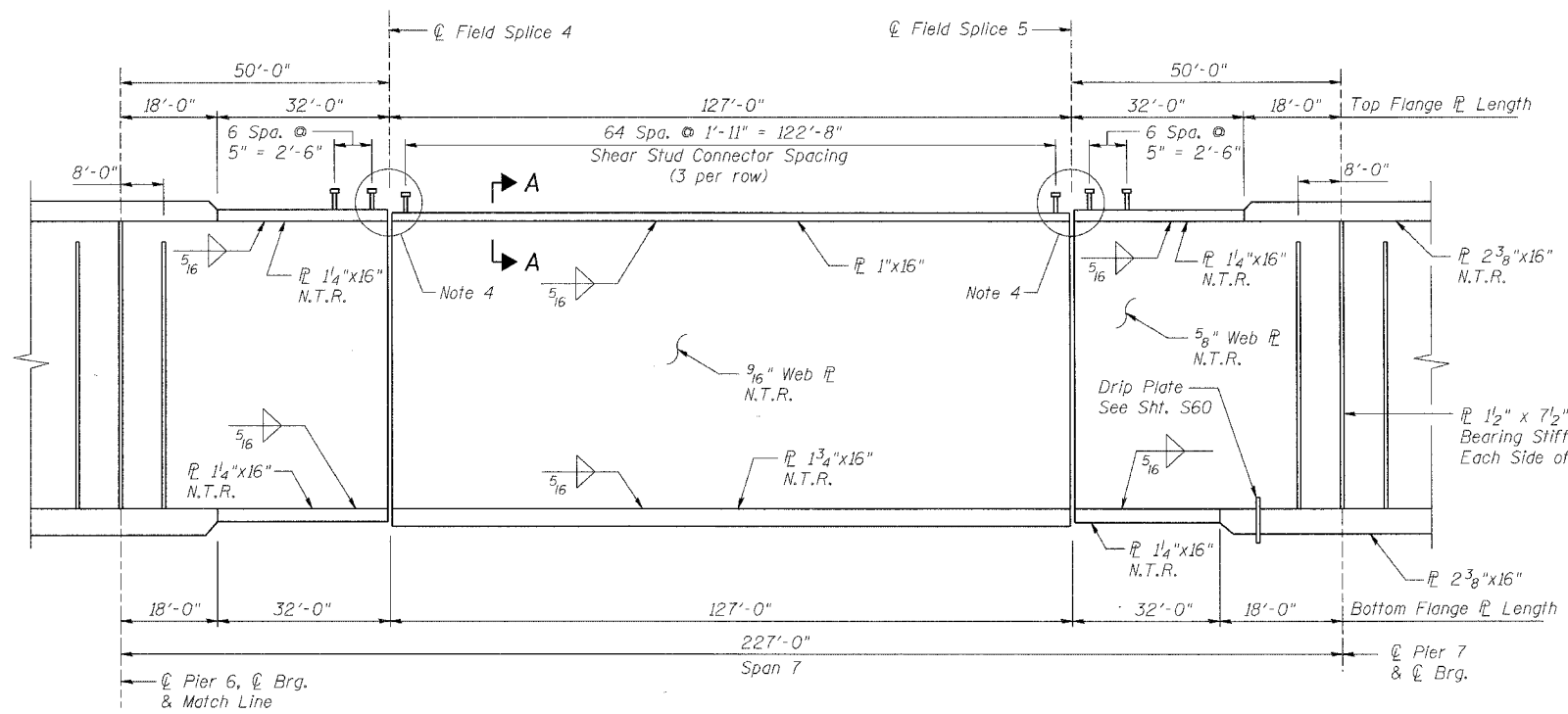
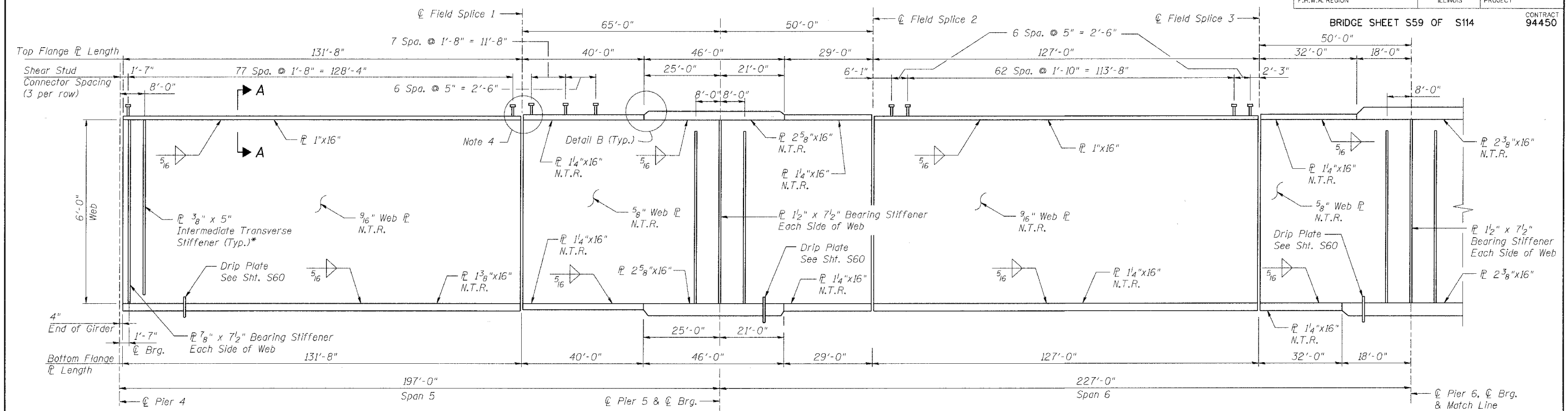


ROUTE No.	SECTION	COUNTY	TOTAL SHEETS	SHEET NO.
F.A.P. 827	12Z-3, 12BR	WABASH, IL GIBSON, IN	158	75
STA.		TO STA.		
F.H.W.A. REGION		ILLINOIS	PROJECT	

BRIDGE SHEET S59 OF S114 CONTRACT 94450



- NOTES:**
- All flange plates shall be AASHTO M 270 Grade HPS70W steel.
 - All web plates, bearing stiffeners, and intermediate stiffeners shall be AASHTO M 270 Grade 50W steel.
 - "N.T.R." denotes plates to which Notch Toughness Requirements are applicable.
 - For placement of shear studs on splice plate, see sheet S63.
 - Work this sheet with sheets S50, S51, S60-S65.
 - See Framing Plan to locate holes for scupper pipe clamps.

DESIGNED	PA/MRB
CHECKED	JDC/DAD
DRAWN	PRT/VH
CHECKED	JDC/MRB

GIRDER ELEVATION

* For Fascia Girders 1 & 6, provide Stiffeners on inside face.

benesch
 alfred benesch & company
 Engineers • Surveyors • Planners
 205 North Michigan Avenue, Suite 2400
 Chicago, Illinois 60601
 312-595-0450
 Job No. 3426

ILLINOIS DEPARTMENT OF TRANSPORTATION
 IL ROUTE 15/IN ROUTE 64
 OVER WABASH RIVER PUBLIC WATERS
 FAP 827 SECT 12Z-3, 12BR
**STEEL PLATE GIRDER
 ELEVATION**
 SN: 093-0021 (IL)/9502700 (IN) STA. 1036-27
 WABASH CO., IL. DATE: JUNE 15, 2007

m:\proj\3426\stage_2\structures\design\super\sgsel001.dgn
 1:01:04 PM
 6/26/2007