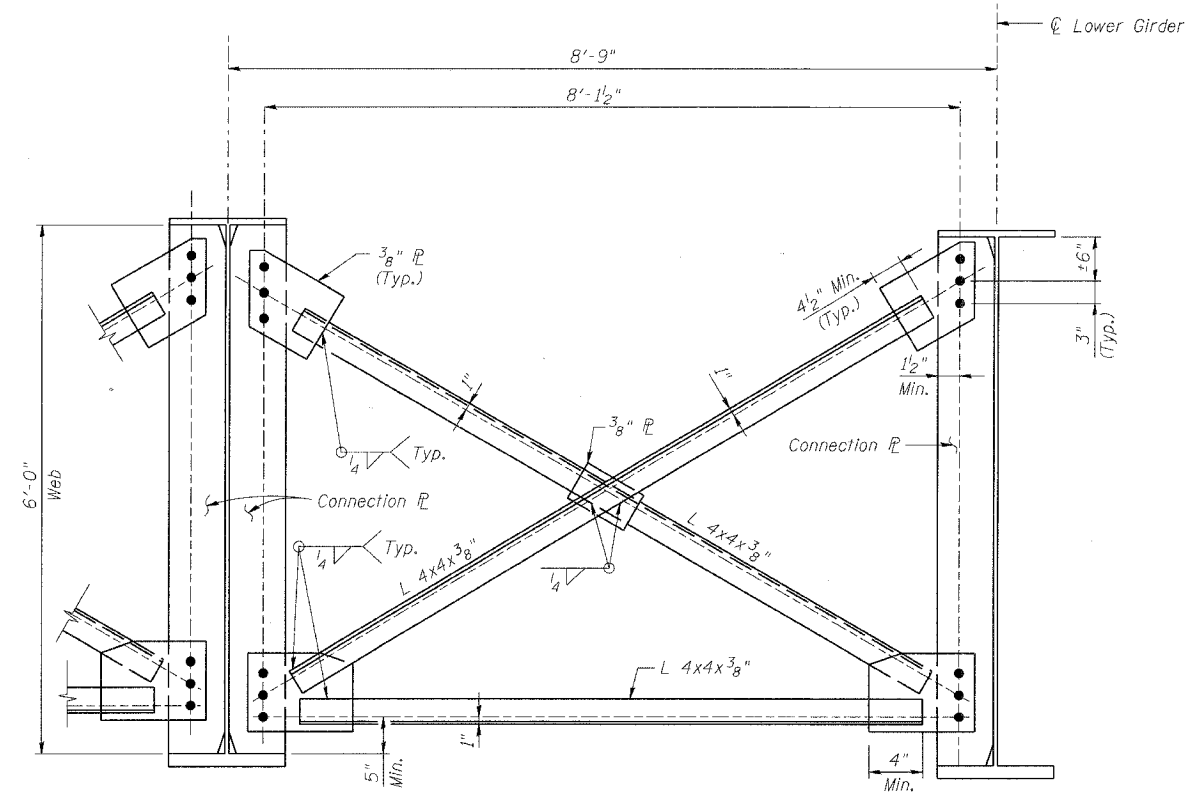
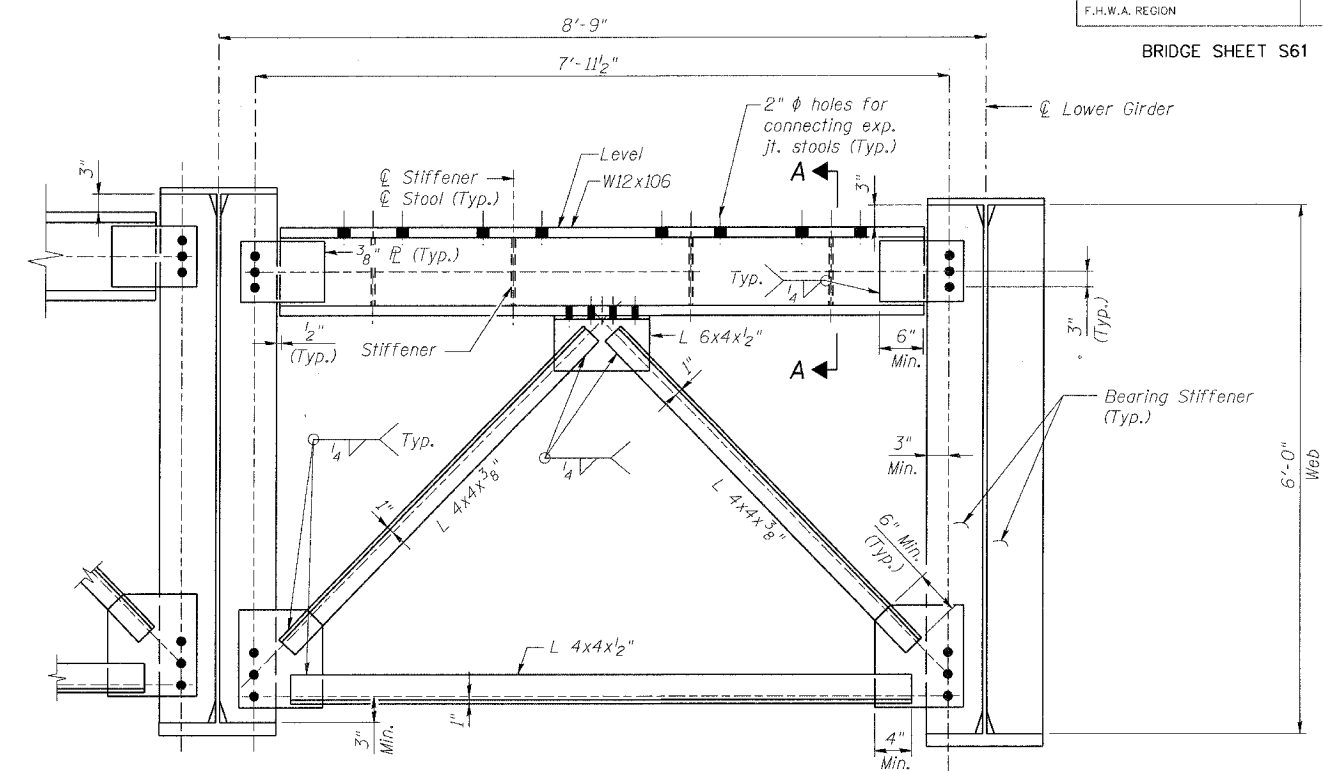


ROUTE No.	SECTION	COUNTY	TOTAL SHEETS	SHEET NO.
F.A.P. 827	12Z-3, 12BR	WABASH, IL GIBSON, IN	158	77
STA.		TO STA.		
F.H.W.A. REGION		ILLINOIS	PROJECT	

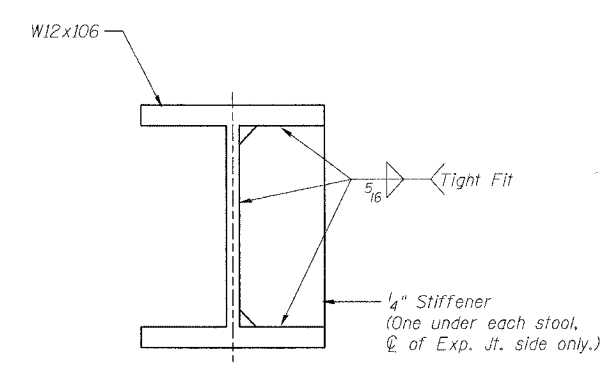
BRIDGE SHEET S61 OF S114 CONTRACT 94450



TYPICAL INTERIOR CROSS FRAME (x1)
(Total Required = 235)



END CROSS FRAME (x2)
(Total Required = 10)
(Looking from Span)



Section A-A

NOTES:

1. For cross frame locations, see sheets S50 & S51.
2. All high strength bolts in cross frames shall be 7/8" bolts with 1/16" diameter holes unless noted otherwise.
3. Two hardened plate washers, 3/16" x 2" x 2" are required for each set of oversized holes except for connecting expansion joint stools. See sheets S37 thru S44 for size of washer required for stools.
4. All cross frames and connection plates shall be AASHTO M 270 Grade 50W steel unless noted otherwise.
5. For Connection Plate and Bearing Stiffener Details, see sheet S62.
6. All cross frames or diaphragms between beams or girders shall be installed with erection pins and bolts in accordance with the erection plan approved by the Engineer. Individual cross frames or diaphragms at supports may be temporarily disconnected to install bearing anchor rods.

DESIGNED	PA/MRB
CHECKED	JDC/DAD
DRAWN	JST/VH
CHECKED	JDC/MRB

benesch
alfred benesch & company
Engineers - Surveyors - Planners
205 North Michigan Avenue, Suite 2400
Chicago, Illinois 60601
312-566-0460
Job No. 3426

ILLINOIS DEPARTMENT OF TRANSPORTATION
IL ROUTE 15/IN ROUTE 64
OVER WABASH RIVER PUBLIC WATERS
FAP 827 SECT 12Z-3, 12BR
**STEEL PLATE GIRDER
CROSS FRAME DETAILS**
SN: 093-0021 (IL)/9502700 (IN) STA. 1036+27
WABASH CO., IL. DATE: JUNE 15, 2007

m:\proj\3426\stage_2\structures\design\super\sect\001.dgn 6/26/2007 10:07 PM