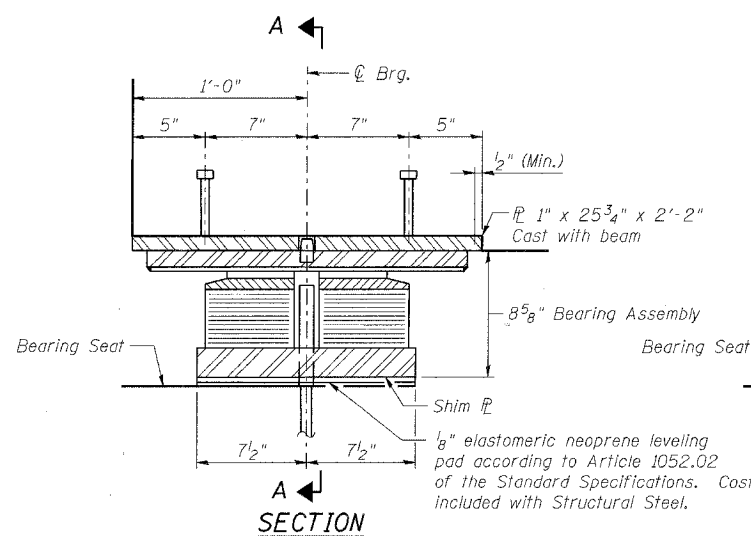
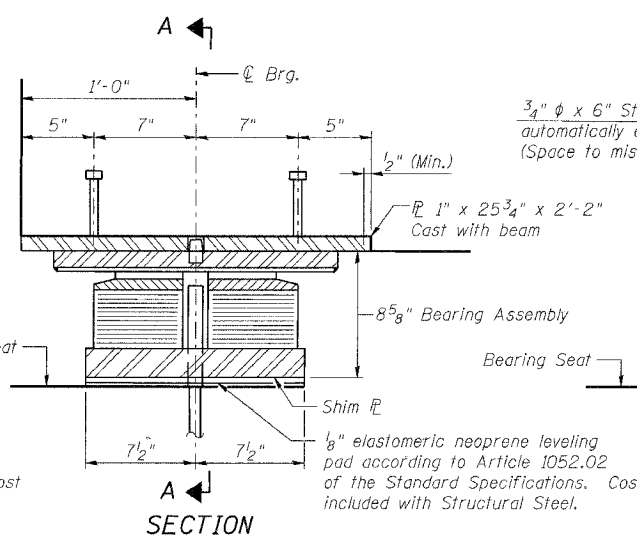


ROUTE No.	SECTION	COUNTY	TOTAL SHEETS	SHEET NO.
F.A.P. 827	12Z-3, 12BR	WABASH, IL GIBSON, IN	158	82
STA.	TO STA.		PROJECT	
F.H.W.A. REGION	ILLINOIS		CONTRACT	

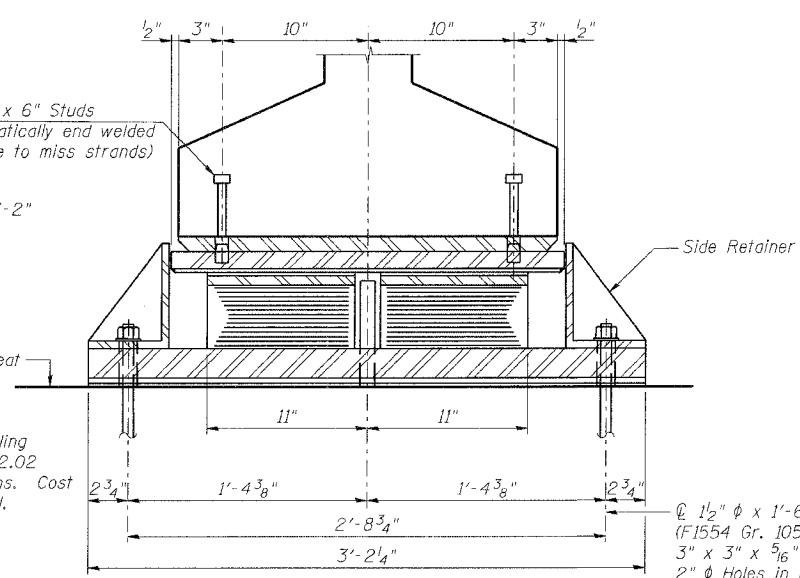
BRIDGE SHEET S66 OF S114 CONTRACT 94450



SECTION (W. Abut., Piers 4L, 9R, 10, 12 & 13, L & R)



SECTION (E. Abut., Piers 1, 3, 14, 15, 18 & 19)



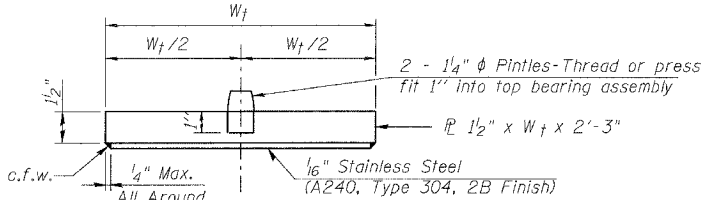
SECTION A-A

Location	W _f
W. Abut., Piers 4L, 9R, 10, 12, & 13	1'-10"
Piers 1, 3, 14, 15, 18, 19, & E. Abut.	1'-7 1/2"

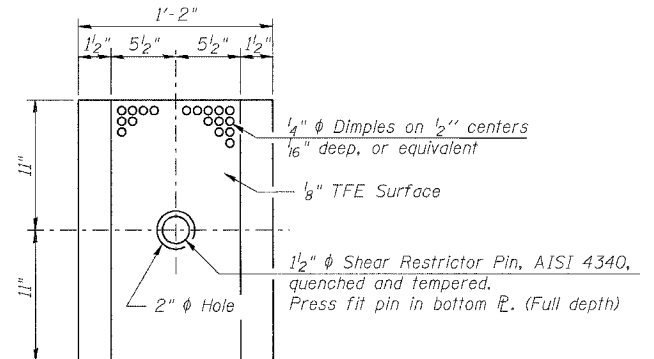
BILL OF MATERIAL

Item	Unit	Total
Elastomeric Bearing Assembly, Type III	Each	132
Anchor Bolts, 1/2"	Each	264

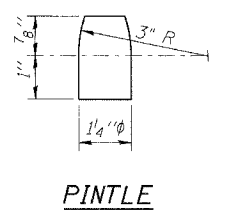
TYPE III TFE ELASTOMERIC EXP. BRG.



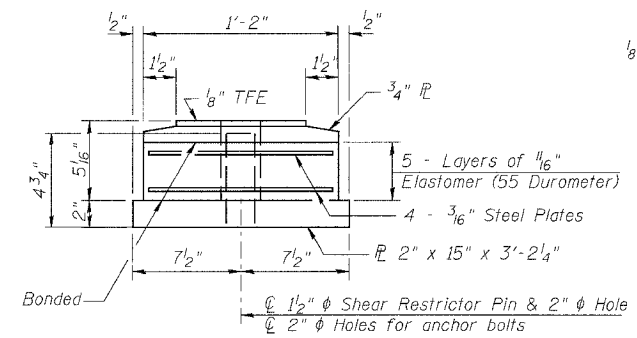
TOP BEARING ASSEMBLY



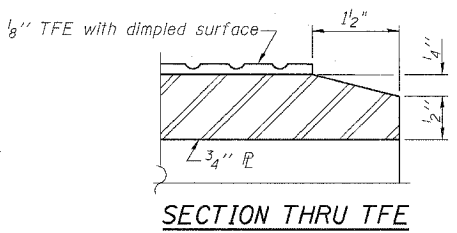
PLAN-TFE ELASTOMERIC BRG.



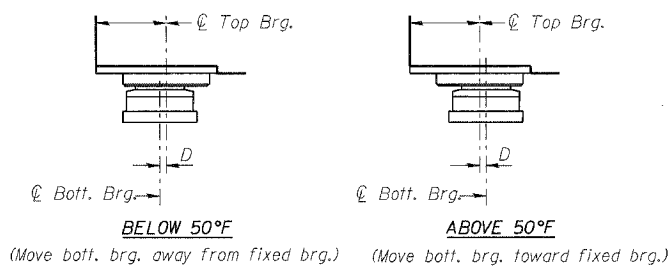
PINTLE



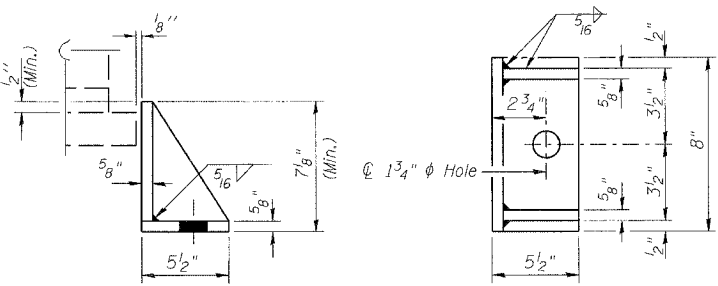
BOTTOM BEARING ASSEMBLY



SECTION THRU TFE



SETTING ANCHOR BOLTS AT EXP. BRG.



SIDE RETAINER

Equivalent rolled angle with stiffeners will be allowed in lieu of welded plates. Cost included with Elastomeric Bearing Assembly, Type III.

NOTES:

- The 1/8" TFE sheet shall be bonded directly to the top steel plate with a two-component, medium viscosity epoxy resin, conforming to the requirements of the Federal Specification MMM-A-134, Type I. The bond agent shall be applied on the full area of the contact surfaces. Bonding of 1/8" TFE sheet during vulcanizing process will be permitted provided the process and method of adjusting assembly height is approved by the Engineer.
- After the beams have been erected, holes at expansion bearings shall be drilled and anchor bolts grouted in place.
- For additional details of plate cast with beam see sheets S58.
- Material, fabrication, testing and furnishing requirements shall conform to the IDOT Standard Specifications for Road and Bridge Construction. External steel plates, sliding plate, and side retainers shall conform to AASHTO M270, Gr. 50.
- All embedded and separate bearing plates, side retainers, anchor bolts, nuts, washers and pintles shall be galvanized according to AASHTO M111 or M232 (as applicable).
- H.S. bolts in bearing assembly shall be galvanized according to AASHTO M298 Class 50.

ILLINOIS DEPARTMENT OF TRANSPORTATION
IL ROUTE 15/IN ROUTE 64
OVER WABASH RIVER PUBLIC WATERS
FAP 827 SECT 12Z-3, 12BR

ELASTOMERIC BEARING TYPE III

SN: 093-0021 (IL)/9502700 (IN) STA. 1036-27
WABASH CO., IL. DATE: JUNE 15, 2007

benesch

alfred benesch & company
Engineers • Surveyors • Planners
205 North Michigan Avenue, Suite 2400
Chicago, Illinois 60601
312-595-0450
Job No. 3426

m:\proj3426\stage_2\structures\design\super\srdat001.dgn 6/26/2007 1:01:16 PM

DESIGNED	KWS
CHECKED	MRB
DRAWN	RMG
CHECKED	YS