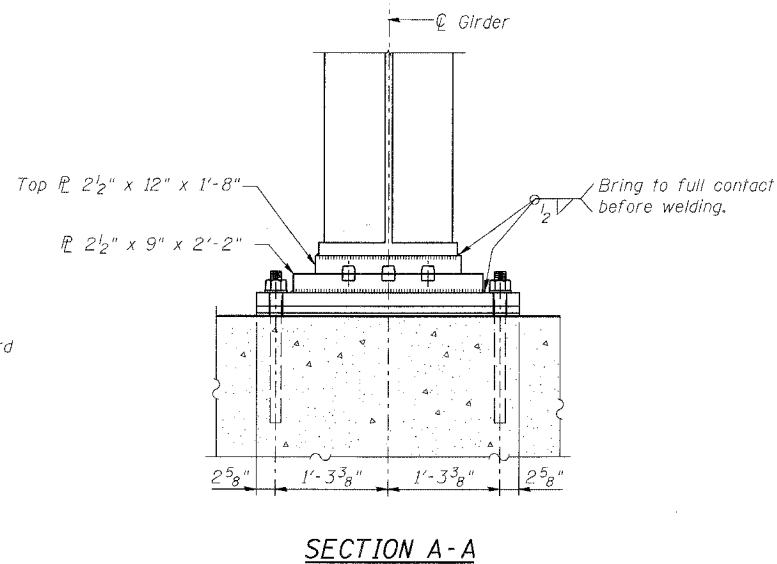
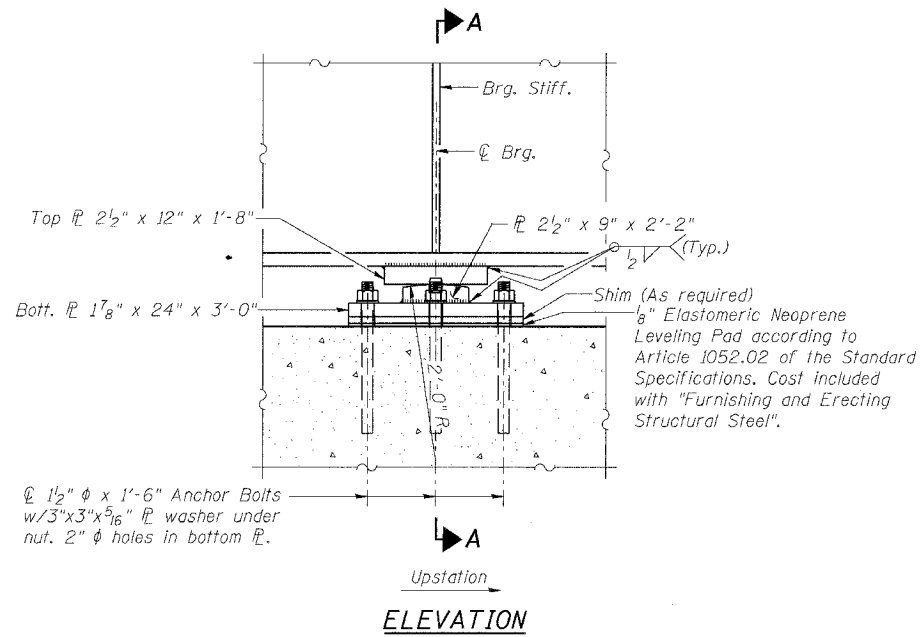


ROUTE No.	SECTION	COUNTY	TOTAL SHEETS	SHEET NO.
F.A.P. 827	12Z-3, 12BR	WABASH, IL GIBSON, IN	158	83
STA.	TO STA.			
F.H.W.A. REGION	ILLINOIS	PROJECT		

BRIDGE SHEET S67 OF S114

CONTRACT
94450



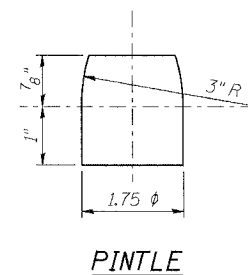
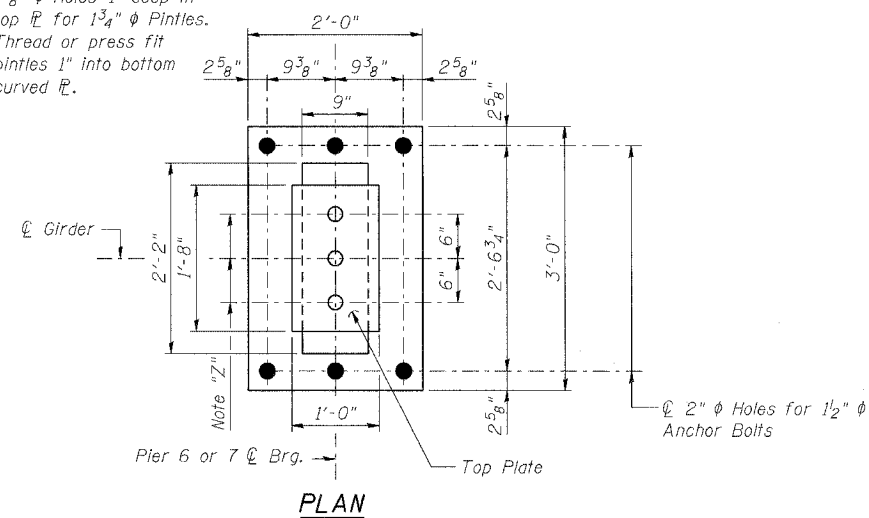
BILL OF MATERIAL

Item	Unit	Total
Anchor Bolts, 1/2"	Each	72

NOTES:

- All Anchor Bolts shall be ASTM F 1554 Grade 105.
- After Girders have been erected, holes at bearings shall be drilled and anchor bolts grouted in place.
- All structural steel for bearings shall be AASHTO M 270 Grade 50.
- Top Plate to be furnished with Girder and connected in shop. Weld to be interrupted in corners accordingly with Art. 2,8,1,8, BWC.
- All exposed structural steel of the bearings shall be cleaned and shop painted using either the inorganic or organic paint system. See Special Provision for Cleaning and Painting New Metal Structures.
- Bearing and contact surfaces shall be finished in accordance with requirements of IDOT Standard Specifications, Art. 505.04, (i).
- Fixed bearing, excluding anchor bolts, is paid for as "Furnishing and Erecting Structural Steel".
- Two 1/8 in. adjusting shims shall be provided for each bearing in addition to all other plates and shims and placed as shown on bearing details.

Note "Z":
1 1/8" phi Holes-1" deep in top PL for 1 3/4" phi Pintles. Thread or press fit pintles 1" into bottom curved PL.



DESIGNED	KWS
CHECKED	YS
DRAWN	VH
CHECKED	KWS

benesch

alfred benesch & company
Engineers - Surveyors - Planners
205 North Michigan Avenue, Suite 2400
Chicago, Illinois 60601
312-585-0450
Job No. 3426

ILLINOIS DEPARTMENT OF TRANSPORTATION
IL ROUTE 15/IN ROUTE 64
OVER WABASH RIVER PUBLIC WATERS
FAP 827 SECT 12Z-3, 12BR

**FIXED LOW PROFILE BEARINGS
PIERS 6 & 7**

SN: 093-0021 (IL)/9502700 (IN)
WABASH CO., IL.

STA. 1036+27
DATE: JUNE 15, 2007

m:\proj\3426\stage_2\structures\design\super\sbrdt002.dgn

10:20 PM

6/26/2007