

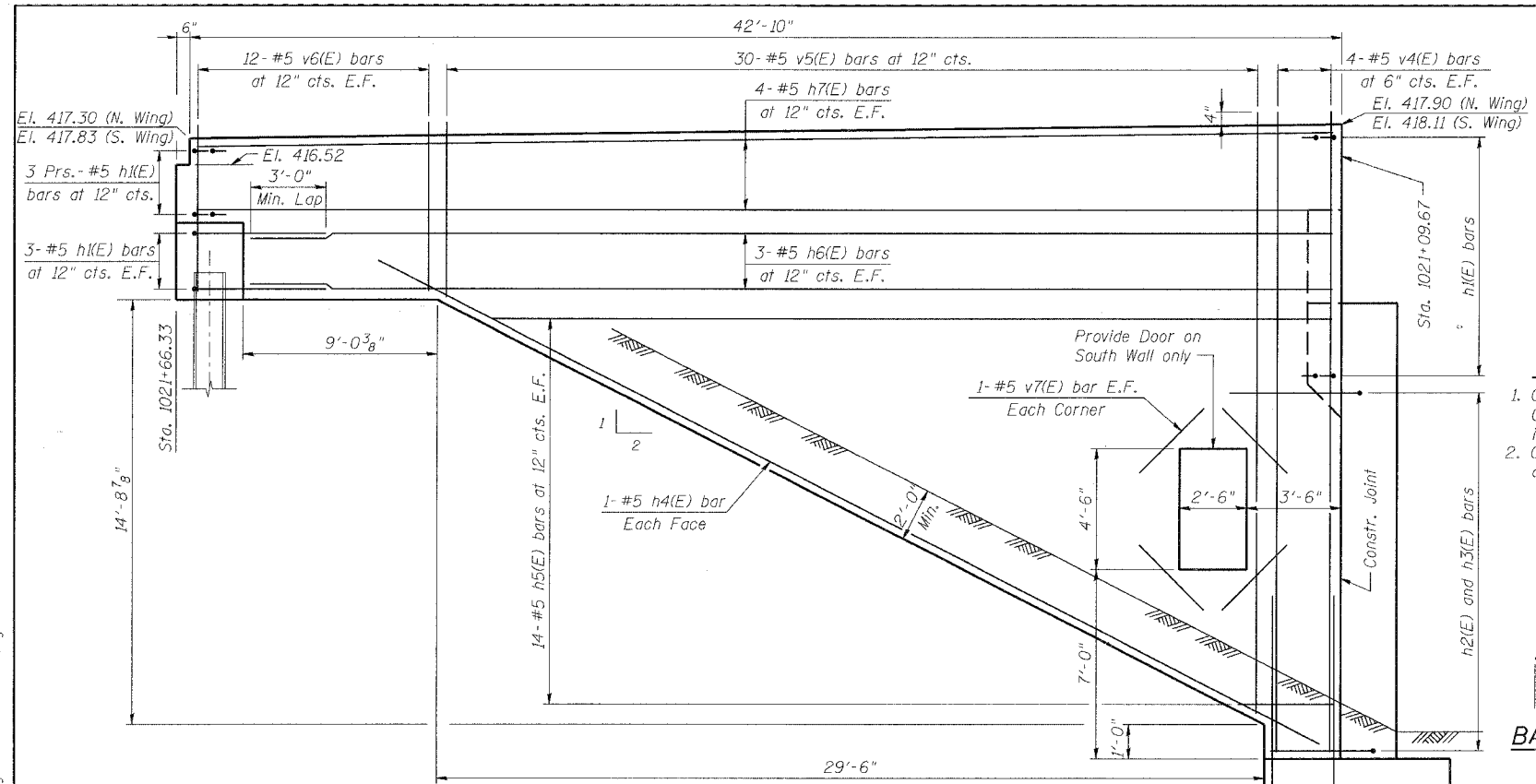
ROUTE No.	SECTION	COUNTY	TOTAL SHEETS	SHEET NO.
F.A.P. 827	12Z-3, 12BR	WABASH, IL GIBSON, IN	158	86
STA.		TO STA.		
F.H.W.A. REGION		ILLINOIS PROJECT		

BRIDGE SHEET S70 OF S114
CONTRACT NO. 94450

BILL OF MATERIAL

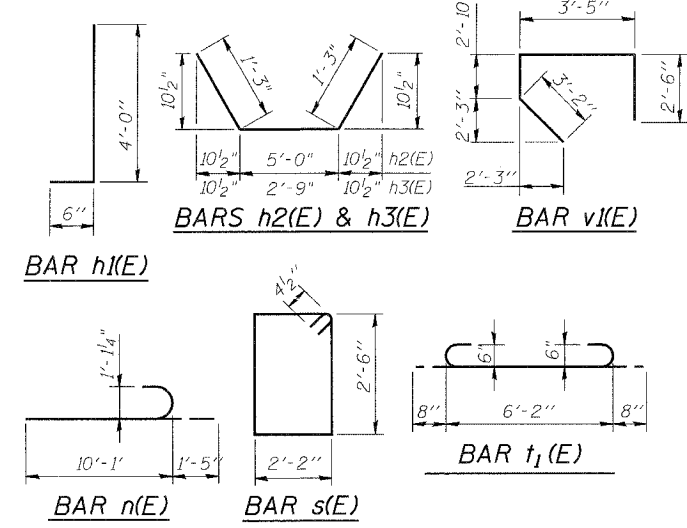
Bar	No.	Size	Length	Shape
h(E)	44	#5	47'-8"	—
h1(E)	64	#5	4'-6"	┘
h2(E)	26	#5	7'-6"	┘
h3(E)	26	#5	5'-3"	┘
h4(E)	4	#5	39'-9"	—
h5(E)	28	#5	33'-4"	—
h6(E)	12	#5	40'-6"	—
h7(E)	16	#5	42'-6"	—
h8(E)	4	#5	32'-9"	—
h9(E)	4	#5	7'-2"	—
h10(E)	4	#5	22'-2"	—
n(E)	164	#10	11'-6"	┘
p(E)	20	#7	27'-11"	—
s(E)	52	#4	10'-1"	□
t(E)	52	#6	6'-2"	—
t1(E)	52	#6	7'-6"	┘
v(E)	148	#10	15'-1"	—
v1(E)	49	#5	11'-11"	┘
v2(E)	49	#5	14'-2"	┘
v3(E)	90	#5	3'-0"	—
v4(E)	16	#5	22'-8"	—
v5(E)	60	#5	27'-10"	—
v6(E)	48	#5	6'-6"	—
v7(E)	8	#5	3'-0"	—
v8(E)	34	#5	6'-2"	┘
v9(E)	23	#5	7'-5"	┘
w(E)	28	#5	27'-0"	—

Pay Item	Unit	Total
Concrete Structures	Cu. Yd.	188.0
Reinf. Bars, Epoxy Coated	Pound	30520
Structure Excavation	Cu. Yd.	167
Furnishing Steel Piles HP 12x74	Foot	1170
Driving Piles	Foot	1170
Test Pile Steel HP 12x74	Each	1
Concrete Sealer	Sq. Ft.	120
Pile Shoes	Each	27

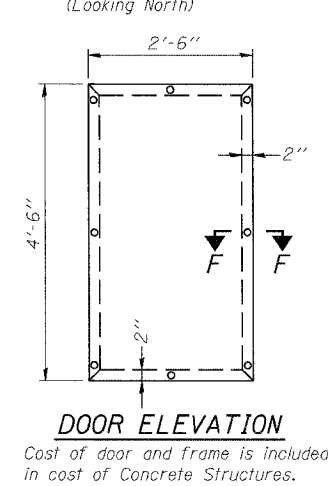


FIELD CUTTING DIAGRAM

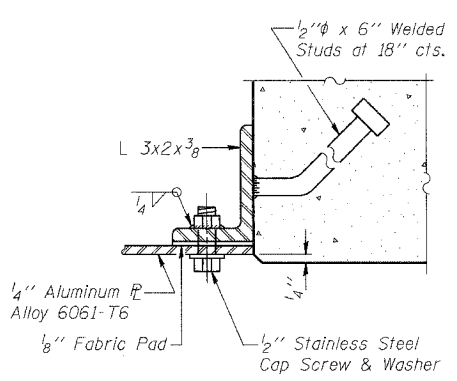
- Order h5(E) and v5(E) bars full length. Cut to fit and use the remainder of bars in opposite face.
- Cut bars as required for access door on south wall.



SIDE ELEVATION
(Looking North)



SECTION F-F



APPR. BENT-PILE DATA

Type: HP 12x74
Nominal Req'd Brg: 588 kips
Allow. Resist. Avail.: 196 kips
Est. Length: 57'-0"
No. Production Piles: 9
No. Test Piles: 0

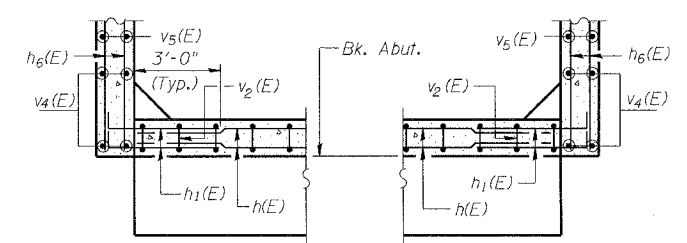
ABUT.-PILE DATA

Type: HP 12x74
Nominal Req'd Brg: 588 kips
Allow. Resist. Avail.: 196 kips
Est. Length: 38'-0"
No. Production Piles: 17
No. Test Piles: 1

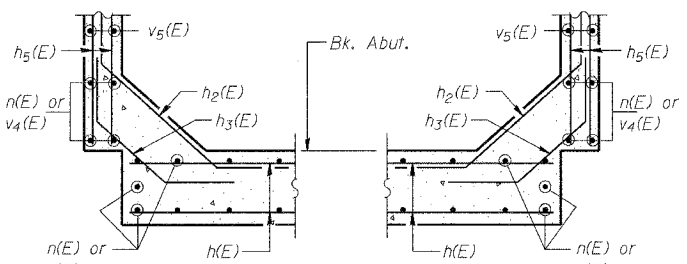
NOTES:

- Reinforcement bars designated (E) shall be epoxy coated.
- Work this sheet with sheet S69.
- Pour steps monolithically with cap.

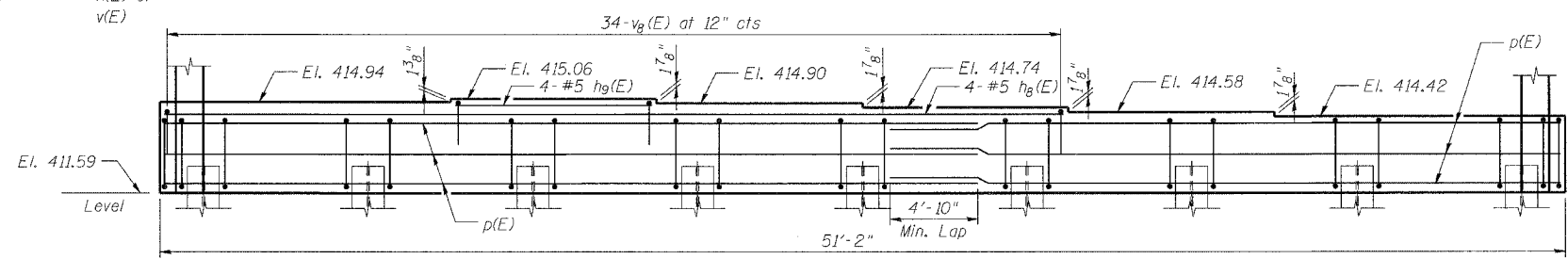
SECTION D-D



SECTION E-E



APPROACH BENT ELEVATION
(Looking West)



m:\proj\3426\stodge_2\structures\design\sub\subatf002.dgn

1:01:27 PM

6/26/2007

DESIGNED	WJZ
CHECKED	YS
DRAWN	WJZ
CHECKED	YS

benesch
alfred benesch & company
Engineers • Surveyors • Planners
235 North Michigan Avenue, Suite 2400
Chicago, Illinois 60601
312-566-0450
Job No. 3426

ILLINOIS DEPARTMENT OF TRANSPORTATION
IL ROUTE 15/IN ROUTE 64
OVER WABASH RIVER PUBLIC WATERS
FAP 827 SECT 12Z-3, 12BR

WEST ABUTMENT SECTIONS AND DETAILS

SN: 093-0021 (IL)/9502700 (IN) STA. 1036+27
WABASH CO., IL. DATE: JUNE 15, 2007