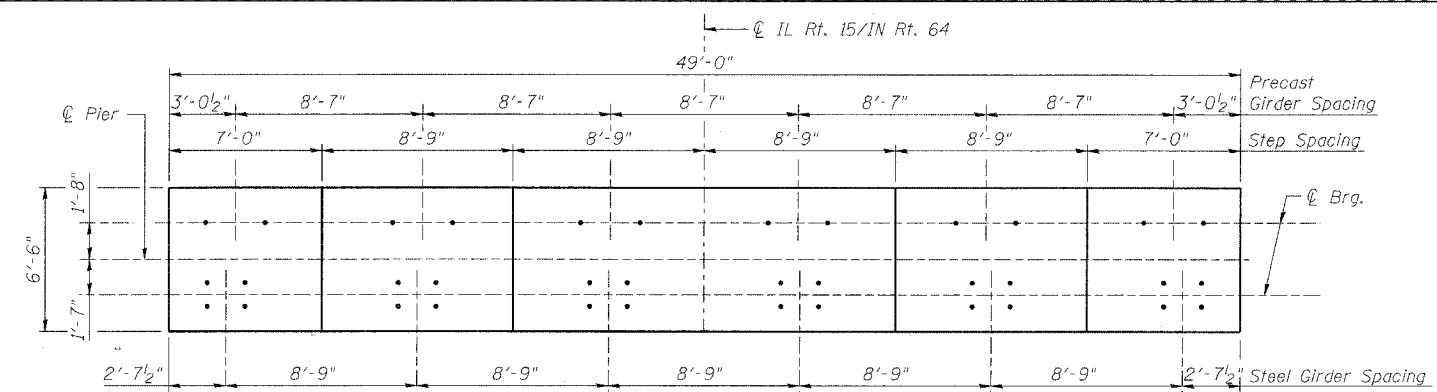
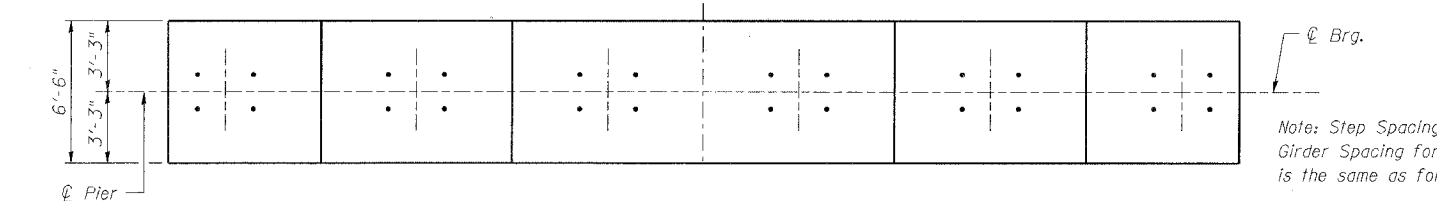


ROUTE No.	SECTION	COUNTY	TOTAL SHEETS	SHEET NO.
F.A.P. 827	12Z-3, 12BR	WABASH, IL GIBSON, IN	158	91
STA.	TO STA.		PROJECT	
F.H.W.A. REGION	ILLINOIS	CONTRACT		

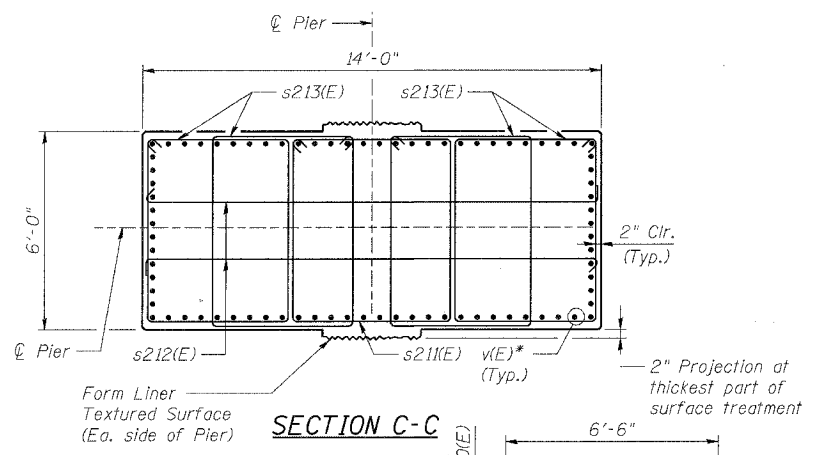
BRIDGE SHEET S75 OF S114 CONTRACT 94450



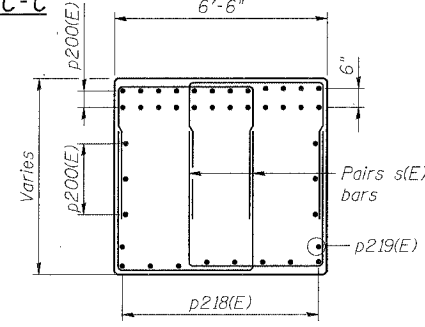
TOP PLAN-PIERS 4 & 9



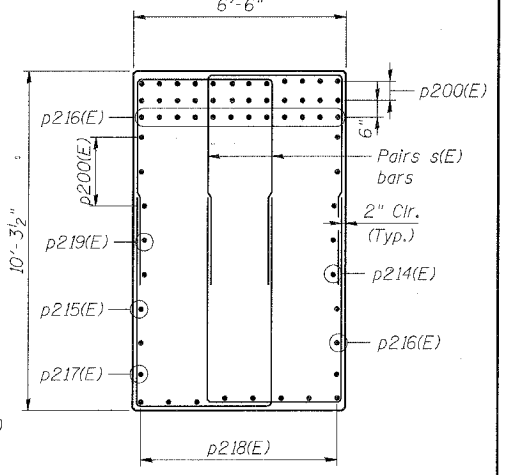
TOP PLAN-PIERS 5, 6, 7 & 8



SECTION C-C

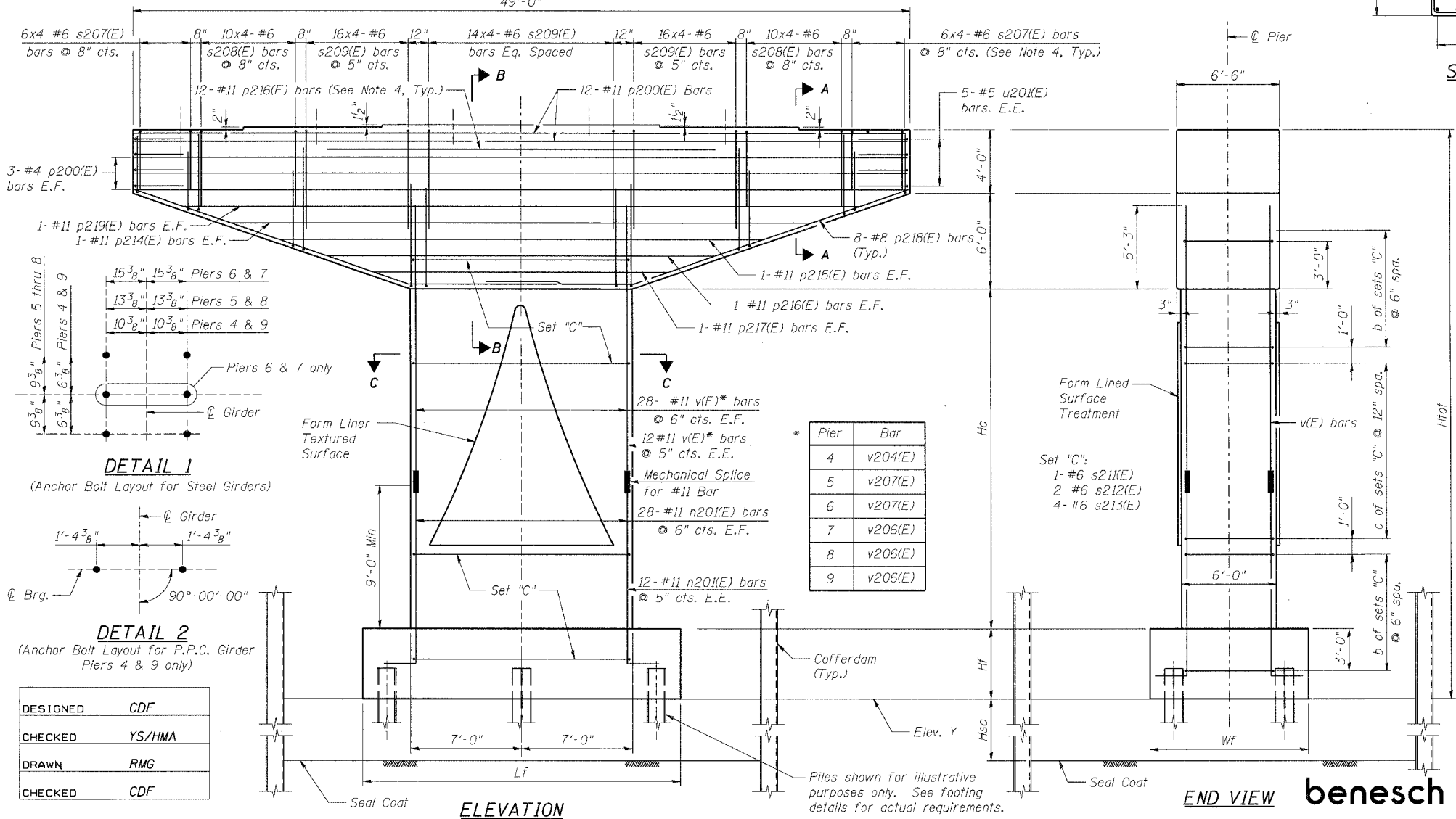


SECTION A-A



SECTION B-B

Note: Step Spacing and Steel Girder Spacing for Piers 5 thru 8 is the same as for Piers 4 & 9.



ELEVATION

END VIEW **benesch**

PIER DATA

	Pier 4	Pier 5	Pier 6	Pier 7	Pier 8	Pier 9
Hf	4'-6"	4'-6"	6'-6"	6'-6"	6'-0"	5'-0"
Hc	19'-2 7/8"	42'-8 3/8"	41'-5 1/4"	38'-7 5/8"	36'-0 5/8"	36'-6 1/2"
Htot	33'-8 7/8"	57'-2 3/8"	57'-11 1/4"	55'-1 5/8"	52'-0 5/8"	51'-6 1/2"
Lf	20'-0"	20'-0"	32'-0"	32'-0"	32'-0"	21'-6"
Wf	10'-0"	10'-0"	20'-0"	20'-0"	20'-0"	14'-6"
Y	382.5	359.5	359.2	361.2	362.9	362.9
b	19	21	21	20	19	19
c	6	27	27	25	23	23
Hsc	15'-6"	14'-4"	18'-0"	18'-0"	17'-0"	14'-6"

NOTES:

- Use the following minimum lap lengths except as noted:
#6: 2'-7" #8: 4'-6" #11: 9'-0".
- E.F. denotes Each Face.
E.E. denotes Each End.
- Pour steps monolithically with cap.
- Space reinforcement in cap to miss anchor bolts.
- All edges shall have standard 3/4" chamfers except as noted.
- For Form Liner Details, see sheet S80.
- See Special Provisions: "Piers 4 & 5 Foundation Construction," and "Piers 6-9 Foundation Construction."
- For Footing details see sheets S76-S79.
- For Beam Seat Elevations and reinforcement bar bending details see sheet S80.
- For Bill of Materials see sheets S81-S85.

ILLINOIS DEPARTMENT OF TRANSPORTATION
IL ROUTE 15/IN ROUTE 64
OVER WABASH RIVER PUBLIC WATERS
FAP 827 SECT 12Z-3, 12BR
**PIERS 4, 5, 6, 7, 8, & 9
PIER DETAILS**

SN: 093-0021 (IL)/9502700 (IN) STA. 1036+27
WABASH CO., IL. DATE: JUNE 15, 2007

m:\proj3426\stage_2\structures\design\sub\spid1003.dgn 10:40 PM 6/26/2007

DESIGNED	CDF
CHECKED	YS/HMA
DRAWN	RMG
CHECKED	CDF

alfred benesch & company
Engineers - Surveyors - Planners
205 North Michigan Avenue, Suite 2400
Chicago, Illinois 60601
312-566-0450
Job No. 3426