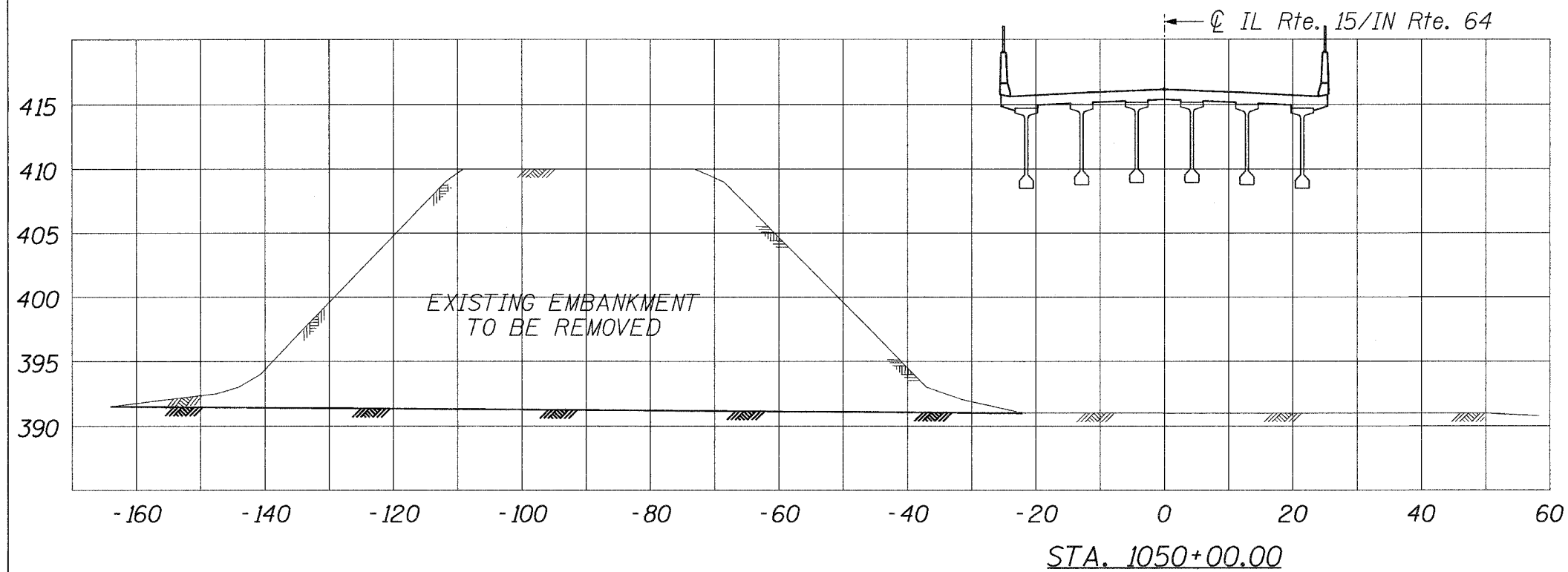
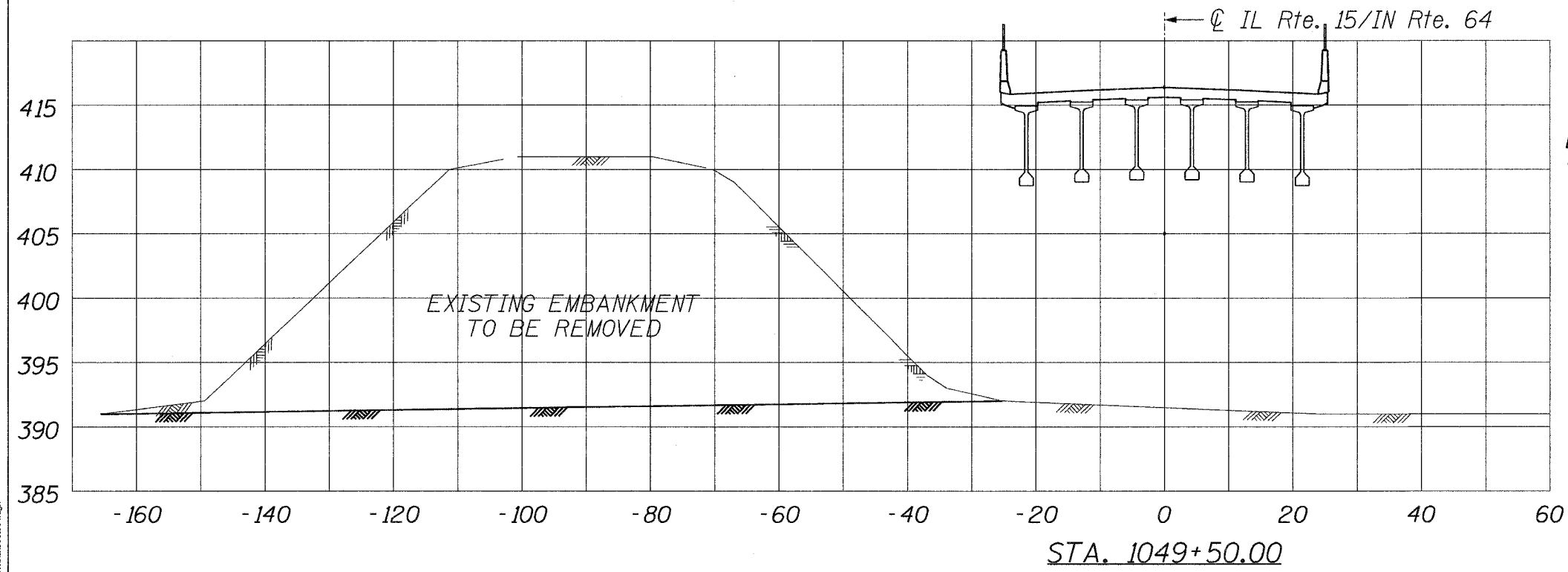


CONTRACT NO. 94450				
F.A.P. RTE.	SECTION	COUNTY	TOTAL SHEETS	SHEET NO.
827	12Z-3, 12BR	WABASH, IL GIBSON, IN	158	156
STA. _____		TO STA. _____		
FED. ROAD DIST. NO. _____		ILLINOIS FED. AID PROJECT _____		



EARTH EXCAVATION = 1520 SQ. FT.
TOPSOIL PLACEMENT, 6" = 70 SQ. FT.



EARTH EXCAVATION = 1595 SQ. FT.
TOPSOIL PLACEMENT, 6" = 70 SQ. FT.

6/26/2007 3:54:42 PM
 m:\proj\3426\stage_2\civil\crosssect04.dgn

benesch

alfred benesch & company
 Engineers • Surveyors • Planners
 205 North Michigan Avenue, Suite 2400
 Chicago, Illinois 60601
 312-565-0450
 Job No. 3426

REVISIONS	
NAME	DATE

ILLINOIS DEPARTMENT OF TRANSPORTATION

**PROPOSED CROSS-SECTIONS
EAST ABUTMENT**

SCALE: VERT. 1"=20'
 HORIZ. 1"=10'
 DATE 06/15/07

DRAWN BY MAC
 CHECKED BY RDC