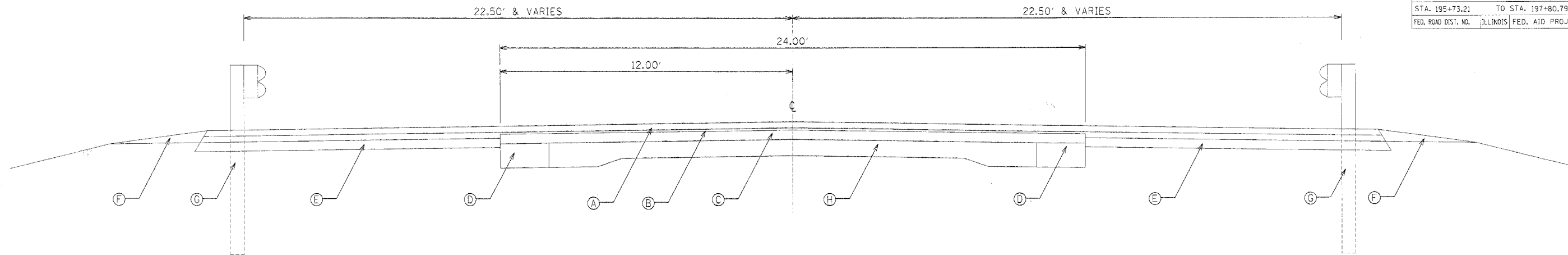
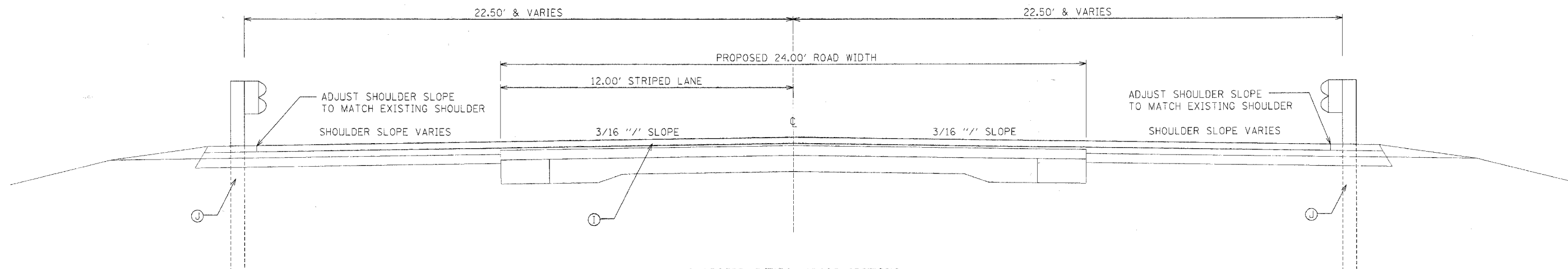


CONTRACT NO. 94968				
F.A.P. RTE.	SECTION	COUNTY	TOTAL SHEETS	SHEET NO.
322	(23-BR-2)BR	FAYETTE	19	4
STA. 195+73.21		TO STA. 197+80.79		
FED. ROAD DIST. NO.	ILLINOIS	FED. AID PROJECT		

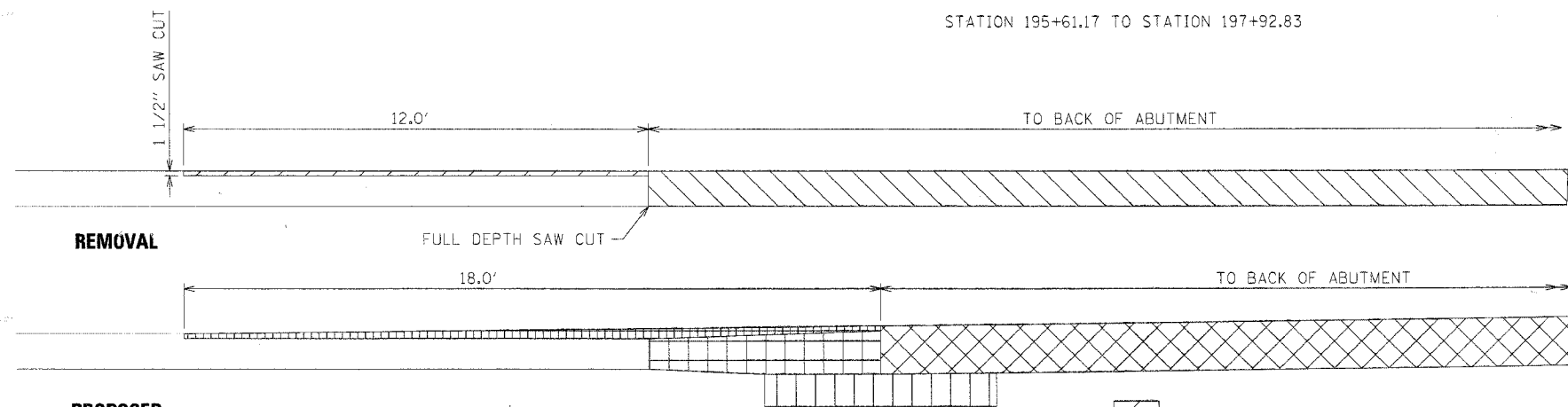


**EXISTING TYPICAL CROSS SECTIONS**  
STATION 195+61.17 TO STATION 197+92.83

BRIDGE OMISSION  
STATION 196+08.71 TO STATION 197+45.29



**PROPOSED TYPICAL CROSS SECTIONS**  
STATION 195+61.17 TO STATION 197+92.83



**BUTT JOINT DETAIL**  
STATION 195+61.17 TO STATION 195+79.21  
STATION 197+74.79 TO STATION 197+92.83

- HOT-MIX SURFACE REMOVAL, 1 1/2"
- PAVEMENT REMOVAL
- PROPOSED HMA SURFACE 1 1/2" & VARIES
- BRIDGE APPROACH PAVEMENT CONNECTOR (FLEXIBLE)
- CONCRETE PAD
- BRIDGE APPROACH PAVEMENT

- (A) EXISTING HMA SURFACE COURSE, 1 1/2"
- (B) EXISTING HMA BINDER COURSE, 1/2"
- (C) EXISTING HMA SURFACE COURSE, 3"
- (D) EXISTING PCC WIDENING, 9"
- (E) EXISTING HMA BINDER FOR SHOULDERS, 4 1/2"\*
- (F) EXISTING AGGREGATE SHOULDERS
- (G) EXISTING SPBGR
- (H) EXISTING PCC PAVEMENT, 9-6-9
- (I) PROPOSED HMA SURFACE COURSE, 1 1/2" & VARIABLE
- (J) PROPOSED SPBGR

\* SEE PLANS FOR LOCATION OF PCC SHOULDER / WIDENING

REVISIONS	
NAME	DATE

ILLINOIS DEPARTMENT OF TRANSPORTATION  
**TYPICAL CROSS SECTIONS**  
F.A.P. ROUTE 322 (IL 51)  
SECTION (23-BR-2)BR  
FAYETTE COUNTY

SCALE: VERT. NONE  
HORIZ. NONE  
DATE 08/23/07  
DRAWN BY WJS  
CHECKED BY AJD

PLOT DATE = 8/23/2007  
 FILE NAME = P:\2560711-2\0001-01.dwg  
 PLOT SCALE = 2.00000 / 1.00000 IN.  
 USER NAME = SUSER8