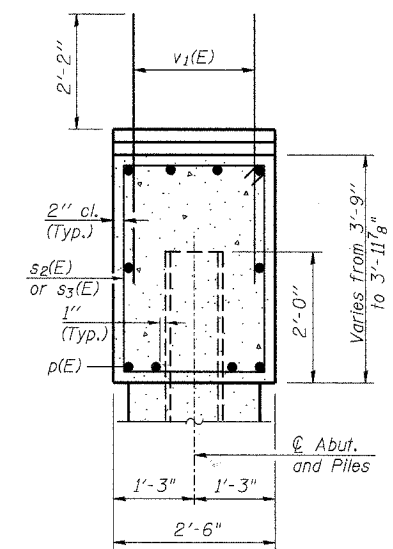
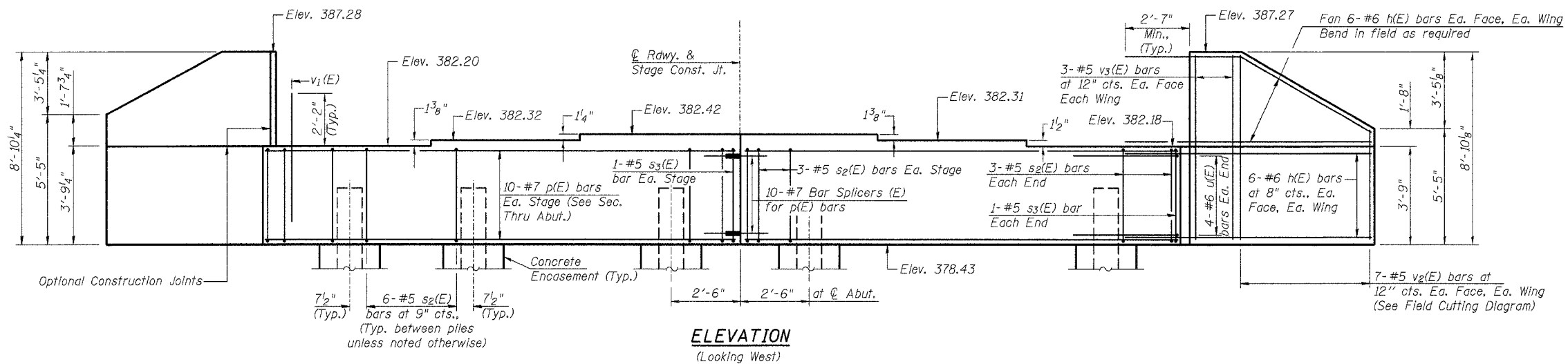


Notes:  
 Pour steps monolithically with cap.  
 Space reinforcement in cap to miss Anchor Bolts.

ROUTE NO.	SECTION	COUNTY	TOTAL SHEETS	SHEET NO.	SHEET NO. 10
F.A.P. 885	(107A) B-1	Johnson	38	32	16 SHEETS
FED. ROAD DIST. NO. 7	ILLINOIS		FED. AID PROJECT-		

Contract # 98776

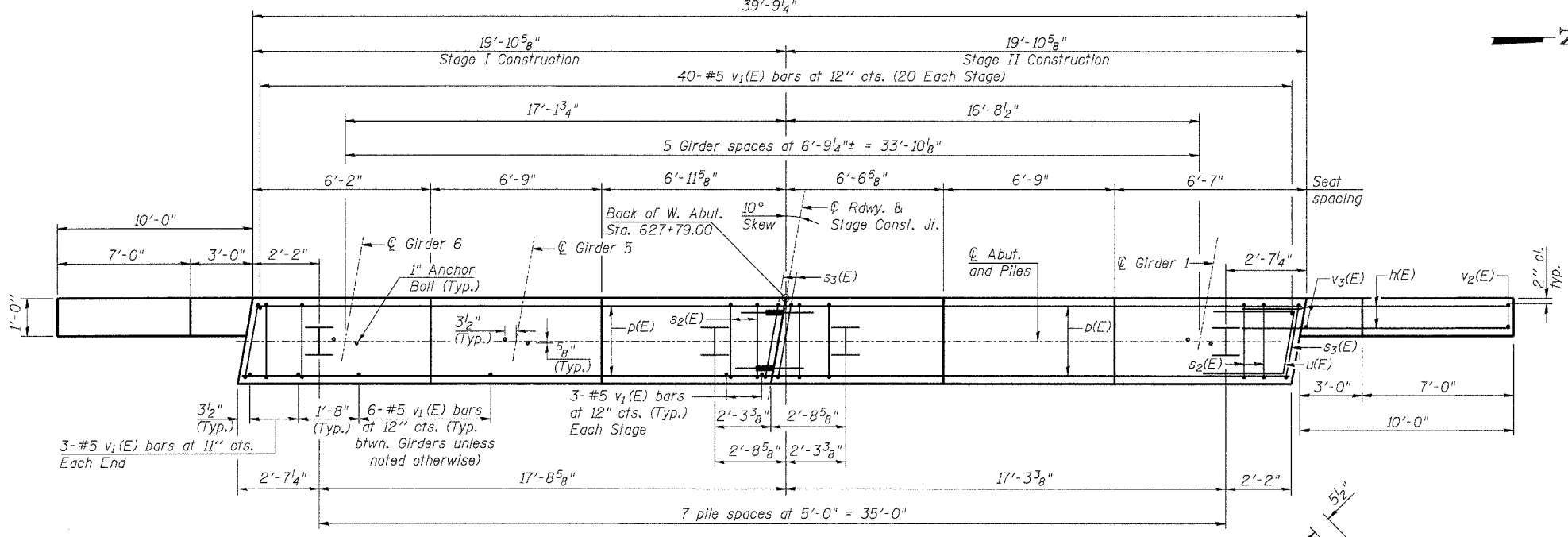


SEC. THRU ABUT.  
 (Dimensions at Rt. L's)

BILL OF MATERIAL  
 (West Abutment)

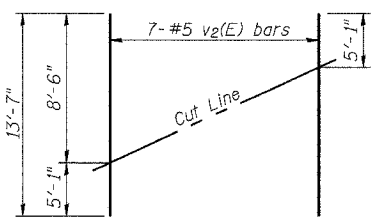
Bar	No.	Size	Length	Shape
h(E)	48	#6	12'-6"	—
p(E)	20	#7	19'-7"	—
s2(E)	48	#5	12'-1"	□
s3(E)	4	#5	12'-3"	□
u(E)	8	#6	7'-3"	┌
v1(E)	76	#5	4'-4"	—
v2(E)	14	#5	13'-7"	—
v3(E)	12	#5	8'-6"	—
Structure Excavation		Cu. Yd.	131	
Concrete Structures		Cu. Yd.	14.9	
Reinforcement Bars, Epoxy Coated		Pound	3100	
Furnishing Steel Piles HP12x53		Foot	400	
Driving Piles		Foot	400	
Pile Shoes		Each	8	
Concrete Encasement		Cu. Yd.	2.8	
Anchor Bolts, 1"		Each	12	

For details of Bar Splacers, see sheet 13 of 16.  
 For details of piles and Concrete Encasement, see sheet 14 of 16.  
 For details of Integral Abutment Bearing, see sheet 9 of 16.  
 For drainage details, see Section Thru Integral Abutment on sheet 2 of 16.



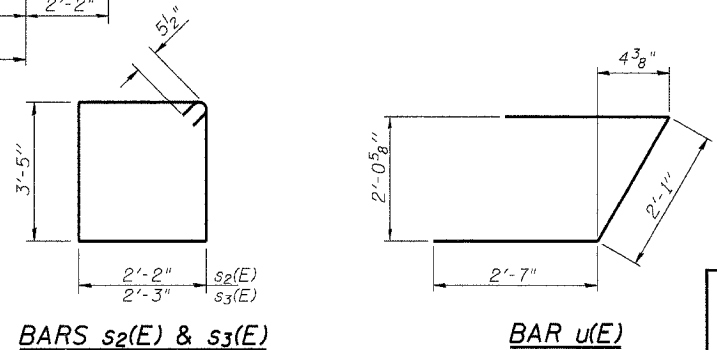
PLAN

**PILE DATA**  
 Type: Steel HP12x53 with pile shoes  
 Nominal Required Bearing: 419 kips  
 Factored Resistance Available: 209 kips  
 Est. Length: 50 ft  
 No. Production Piles: 8



FIELD CUTTING DIAGRAM

Order v2(E) full length. Cut as shown and use remainder of bars in opposite face.



BARS s2(E) & s3(E)

BAR u(E)

**REVISIONS**

NO.	NAME	DATE

**LIN ENGINEERING, LTD.**  
 Consulting Engineers  
 Chatham, Illinois

Designed By: KKH    Checked By: MTH    Drawn By: AJF  
 Date: 3/2007    File: 044-005L.DWG

ILLINOIS DEPARTMENT OF TRANSPORTATION  
**WEST ABUTMENT**  
 ILLINOIS ROUTE 146 OVER  
 BUCK RUN CREEK  
 F.A.P. ROUTE 885 - SEC. (107A)B-1  
 JOHNSON COUNTY  
 STA. 628+25.00  
 STRUCTURE NO. 044-0059

...044-0059.dgn

1:47:40 PM

8/2/2007