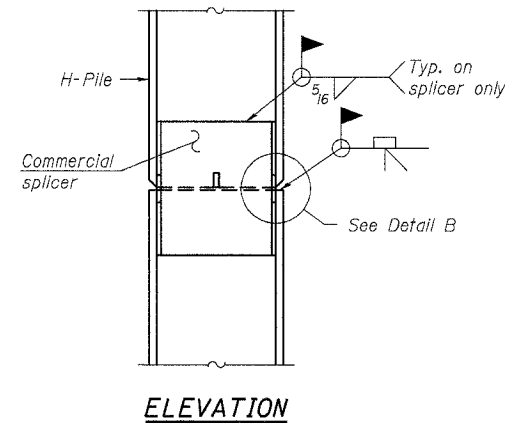
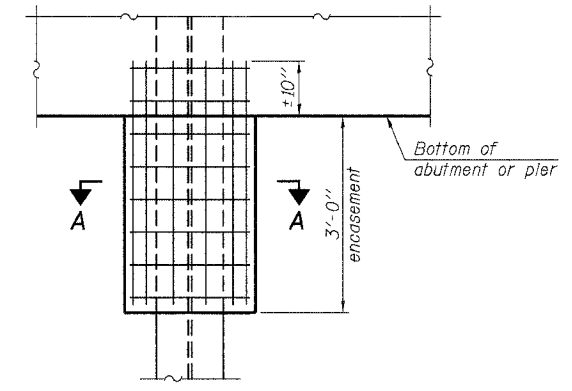


STEEL PILE TABLE

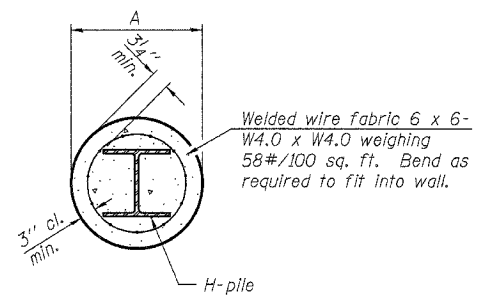
Designation	Depth d	Flange width bf	Web and Flange thickness t	Encasement diameter A
HP 14x117	14 1/4"	14 7/8"	13/16"	30"
x102	14"	14 3/4"	1/16"	30"
x89	13 7/8"	14 3/4"	5/8"	30"
x73	13 5/8"	14 5/8"	1/2"	30"
HP 12x84	12 1/4"	12 1/4"	1/16"	24"
x74	12 1/8"	12 1/4"	5/8"	24"
x63	12"	12 1/8"	1/2"	24"
x53	11 3/4"	12"	7/16"	24"
HP 10x57	10"	10 1/4"	9/16"	24"
x42	9 3/4"	10 1/8"	7/16"	24"
HP 8x36	8"	8 1/8"	7/16"	18"



ELEVATION



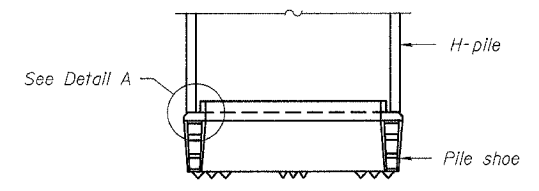
ELEVATION



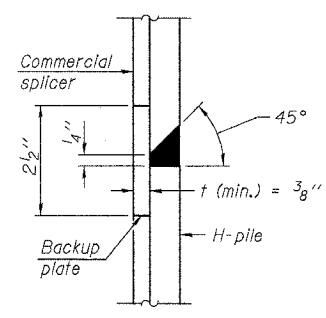
SECTION A-A

Note:
Forms for encasement may be omitted when soil conditions permit.

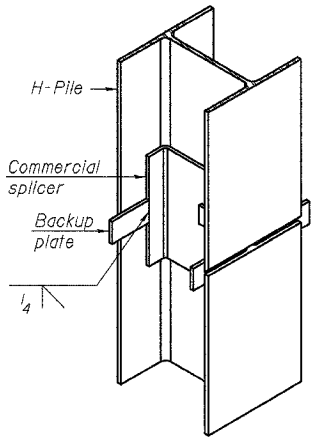
PILE ENCASEMENT



ELEVATION

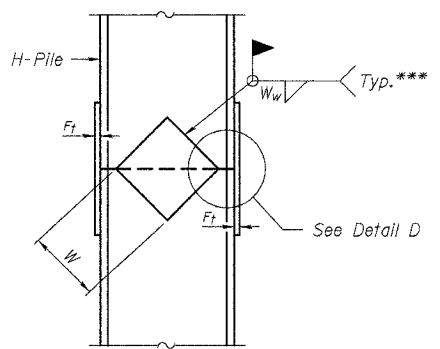


DETAIL "B"

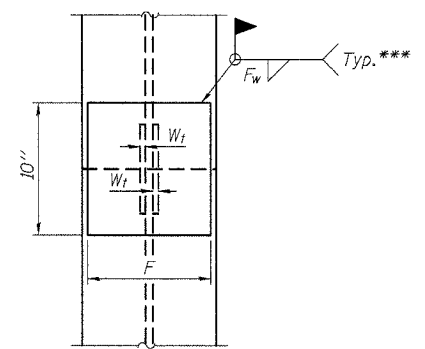


ISOMETRIC VIEW

WELDED COMMERCIAL SPLICE

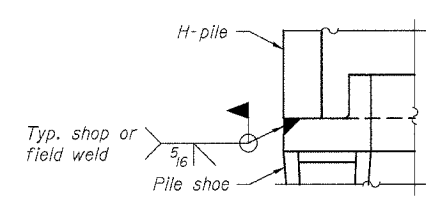


ELEVATION



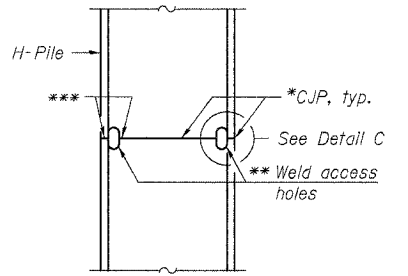
END VIEW

Designation	F	Ft	Fw	W	Wt	Ww
HP 14x117	12 1/2"	1"	7/8"	7 3/4"	5 3/8"	1/2"
x102	12 1/2"	7/8"	3/4"	7 3/4"	5 3/8"	1/2"
x89	12 1/2"	3/4"	1/16"	7 3/4"	5 3/8"	1/2"
x73	12 1/2"	5/8"	9/16"	7 3/4"	5 3/8"	1/2"
HP 12x84	10"	7/8"	1/16"	6 1/2"	5 3/8"	1/2"
x74	10"	7/8"	1/16"	6 1/2"	5 3/8"	1/2"
x63	10"	5/8"	1/2"	6 1/2"	1/2"	3/8"
x53	10"	5/8"	1/2"	6 1/2"	1/2"	3/8"
HP 10x57	8"	3/4"	9/16"	5 1/4"	1/2"	3/8"
x42	8"	5/8"	9/16"	5 1/4"	1/2"	3/8"
HP 8x36	7"	5/8"	7/16"	4 1/4"	1/2"	3/8"

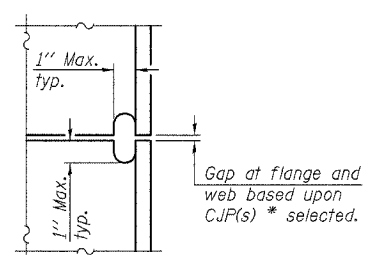


DETAIL A

H-PILE SHOE ATTACHMENT

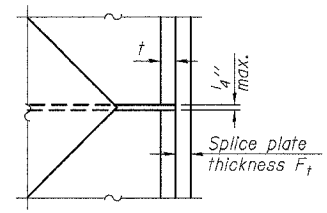


ELEVATION



DETAIL C

COMPLETE PENETRATION WELD SPLICE



DETAIL D

WELDED PLATE FIELD SPLICE

Note:
The steel H-piles shall be according to AASHTO M270 Grade 50.

- * Use joint conforming to Figure 3.4 in AWS D1.1, Structure Welding Code - Steel.
- ** Preparation per Fig. 5.2 in AWS D1.1, Structure Welding Code - Steel.
- *** Interrupt welds 1/4" from end of each pile.

LIN ENGINEERING, LTD.
Consulting Engineers
Chatham, Illinois

Designed By: KKH Checked By: MTH Drawn By: AUF
Date: 3/2007 File: 044-0058.DGN

REVISIONS	
NAME	DATE

ILLINOIS DEPARTMENT OF TRANSPORTATION
STEEL PILE DETAILS
ILLINOIS ROUTE 146 OVER
BUCK RUN CREEK
F.A.P. ROUTE 885 - SEC. (107A)B-1
JOHNSON COUNTY
STA. 628+25.00
STRUCTURE NO. 044-0059

8/2/2007 1:50:45 PM ...044-0059.dgn

F-HP

11-1-06