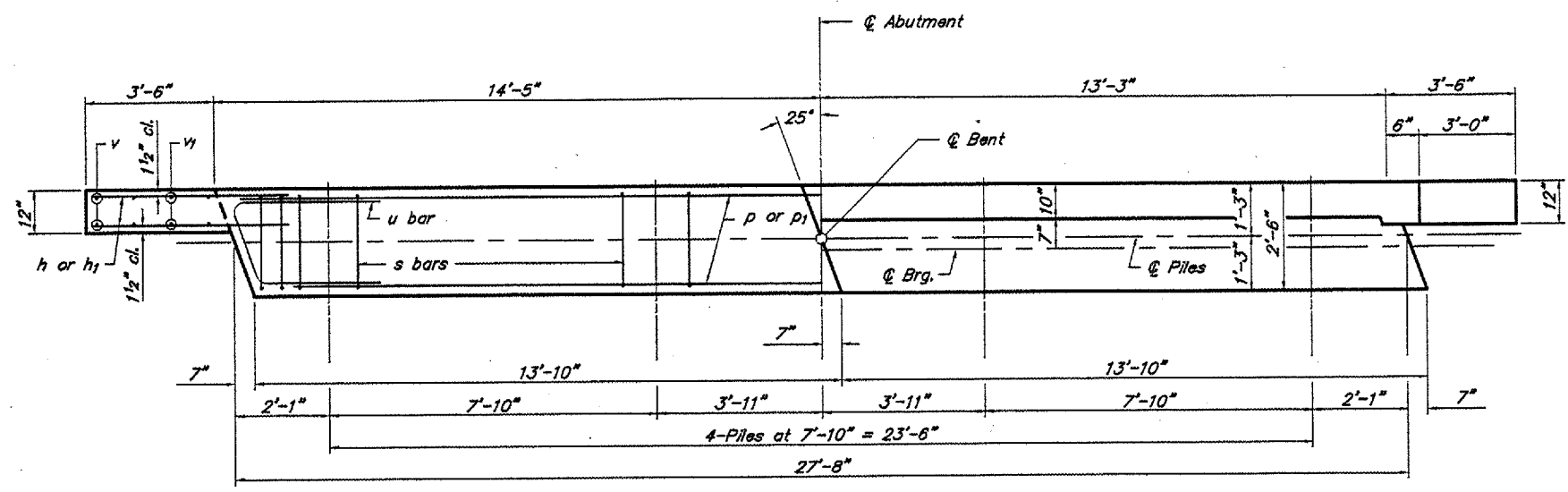
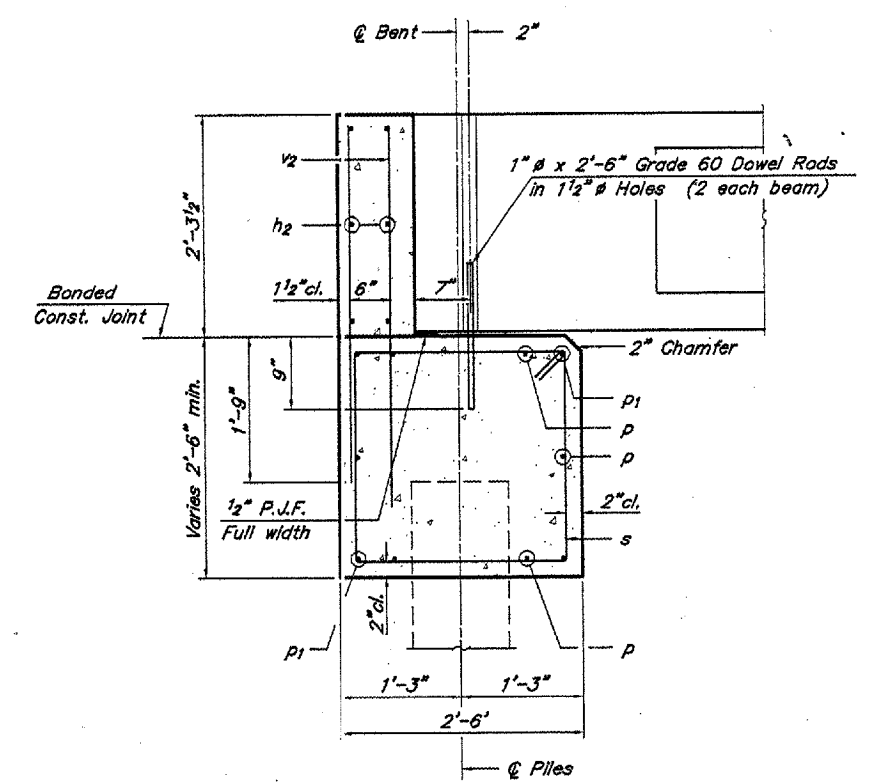


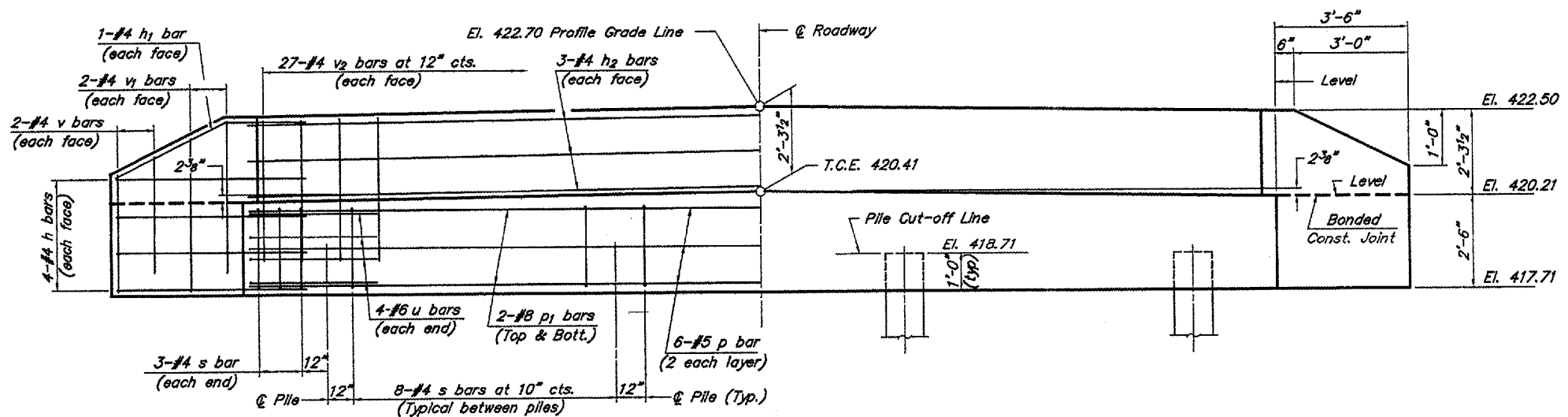
ROUTE	SECTION	COUNTY	TOTAL SHEETS	SHEET NO.
TR 222	02-06116-00-BR	PERRY	10	6
PROJECT NO. BROS-145(32)		CONTRACT NO. 99212		



PLAN



SECTION THRU ABUT.
(At Right Angles)



ELEVATION

BAR LIST FOR ONE ABUTMENT

Bar	No.	Size	Length	Shape
h	16	#4	5'-5"	—
h1	4	#4	5'-5"	—
h2	6	#4	27'-4"	—
p	6	#5	27'-4"	—
p1	4	#8	27'-4"	—
s	30	#4	9'-5"	□
u	8	#6	10'-8"	—
v	8	#4	3'-2"	—
v1	8	#4	4'-2"	—
v2	54	#4	3'-11"	—

QUANTITIES FOR ONE ABUTMENT

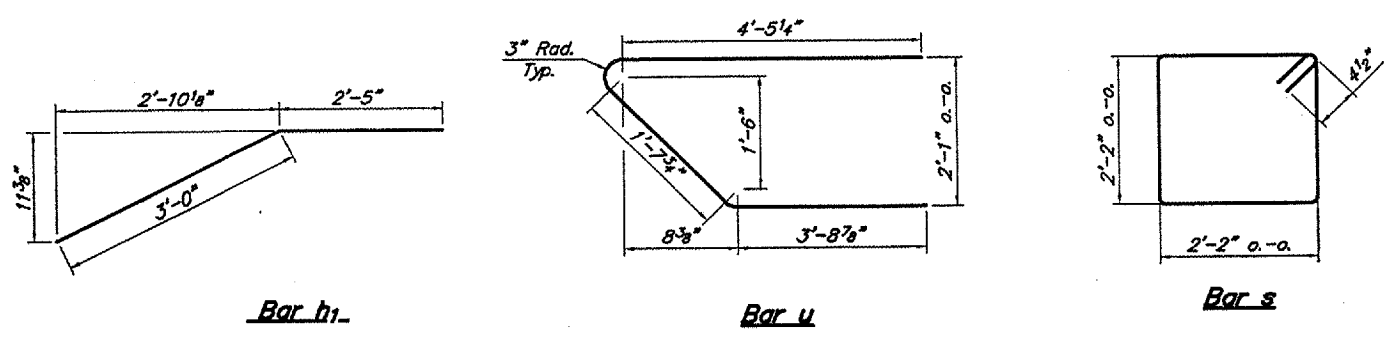
Concrete Structures	9.8 Cu. Yds.
Reinforcement Bars	1140 Lbs.

NOTES

- The Backwall and the portion of the Wingwalls above the bonded construction joint shall be cast against the in-place beam.
- Reinforcement bars shall conform to A.A.S.H.T.O. M-31, M-42 or M-53, Grade 60.

DESIGN STRESSES

$f_c = 3,500 \text{ psi}$
 $f_y = 60,000 \text{ psi}$



Bar h1

Bar u

Bar s

ABUTMENTS
LITTLE BEAUCOUP CREEK
SECTION 02-06116-00-BR
PERRY COUNTY