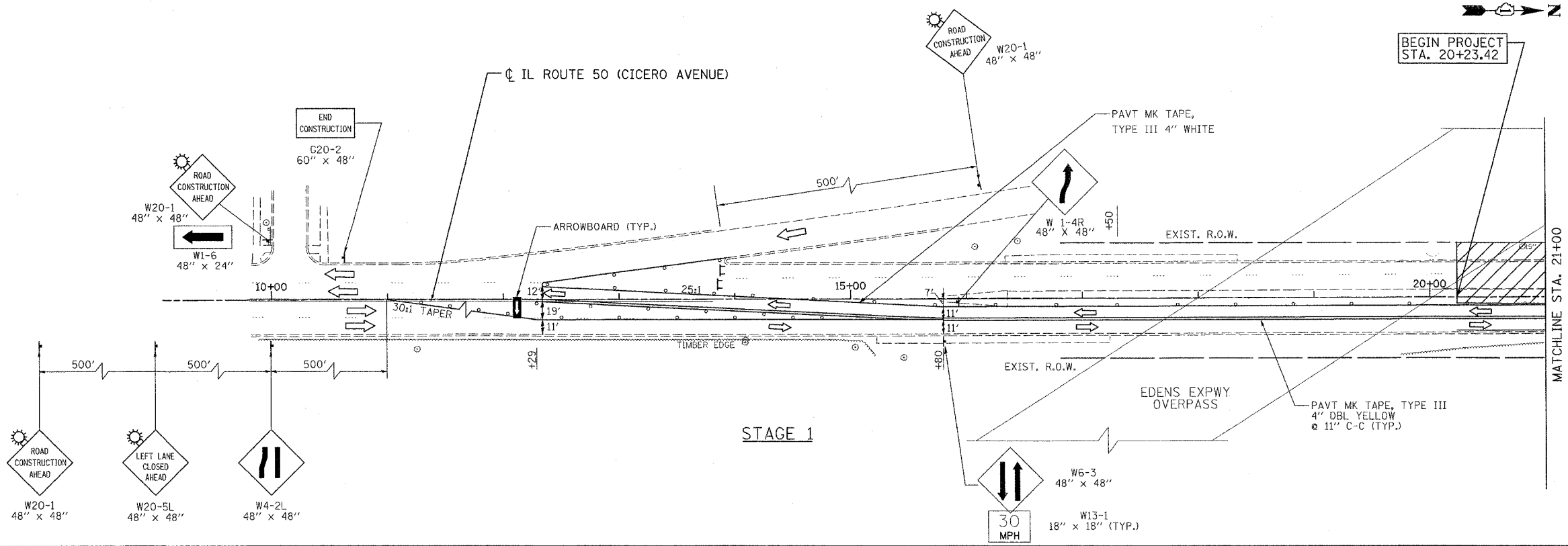
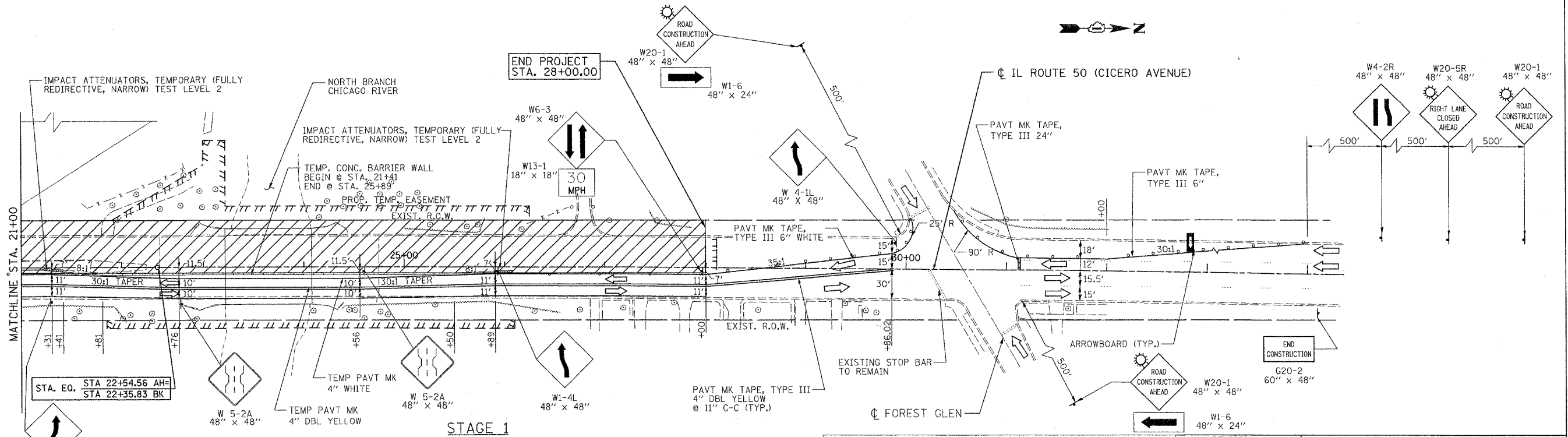


F.A.P. RTE.	SECTION	COUNTY	TOTAL SHEETS	SHEET NO.
350	57B-31	COOK	62	12
STA. 20+23.42		TO STA. 28+00.00		
FED. ROAD DIST. NO. 1		ILLINOIS FED. AID PROJECT		
CONTRACT NO. 60440				



NOTE: TEMPORARY PAVEMENT MARKING SHALL BE PLACED WITHIN PAVEMENT RECONSTRUCTION LIMIT ONLY.



LEGEND	
	WORK ZONE
	DIRECTION OF TRAFFIC
	TYPE III BARRICADE W/ TWO FLASHING BEACONS EACH (TYP.)
	SIGN ON PERMANENT OR PORTABLE SUPPORT
	TYPE II BARRICADES OR DRUMS W/ MONODIRECTIONAL STEADY BURNING LIGHT @ 50' C-C ALONG ROADWAY (TANGENT), 25' C-C ALONG TAPERS, AND 12' C-C ALONG RADII.

REVISIONS	
NAME	DATE

ILLINOIS DEPARTMENT OF TRANSPORTATION
ILLINOIS ROUTE 50 (CICERO AVENUE) OVER
NORTH BRANCH CHICAGO RIVER
SUGGESTED STAGES OF CONSTRUCTION
AND TRAFFIC CONTROL
STAGE 1

SCALE: 1"=50'
DATE: SEPTEMBER 19, 2006
DRAWN BY: CLW
CHECKED BY: AAC

PATRICK
ENGINEERING INC.
LISLE, ILLINOIS