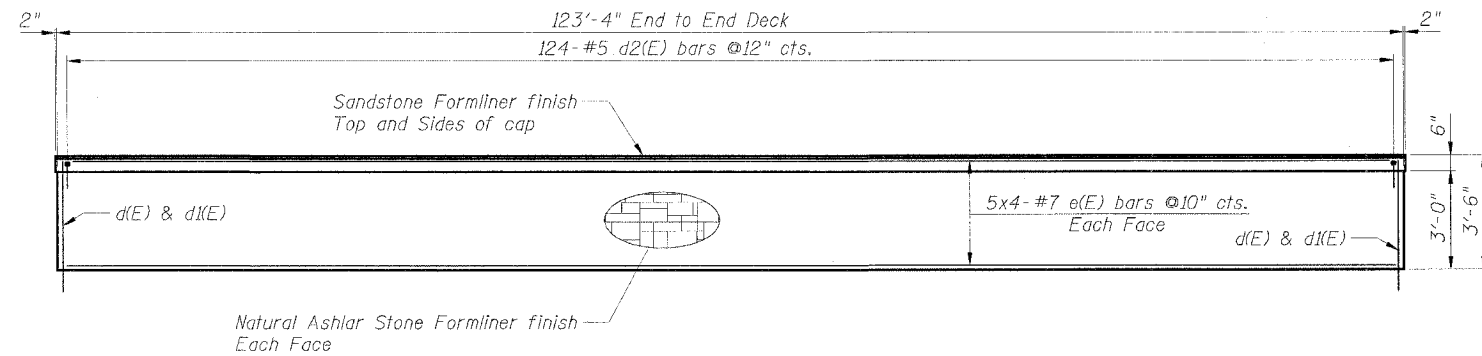


F.A.P. RTE.	SECTION	COUNTY	TOTAL SHEETS	SHEET NO.
350	57B-31	COOK	62	32
FED. ROAD DIST. NO. 7		ILLINOIS FED. AID PROJECT		

CONTRACT NO. 60440



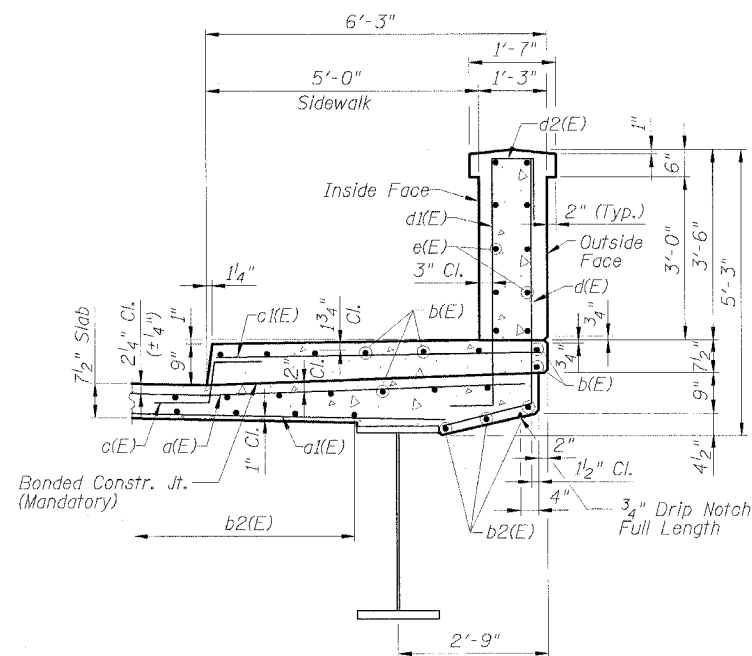
**PARAPET ELEVATION**

**Notes:**

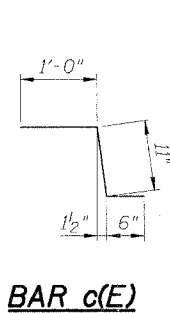
1. Reinforcement Bars designated (E) shall be epoxy coated.
2. Bars indicated thus: 20x3-#5 etc. indicates 20 lines of bars with 3 lengths per line.
3. For deck plan see Sheet S6 of S21.
4. For diaphragm details see Sheet S8 of S21.

**BILL OF MATERIAL**

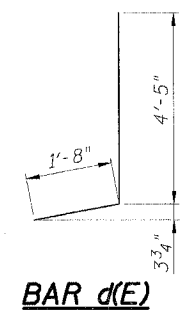
Bar	No.	Size	Length	Shape
a(E)	494	#5	32'-2"	—
a1(E)	330	#5	31'-0"	—
a2(E)	32	#5	2'-0"	—
b(E)	430	#5	26'-4"	—
b2(E)	240	#5	32'-5"	—
c(E)	248	#5	2'-5"	—
c1(E)	248	#5	6'-0"	—
d(E)	248	#5	5'-5"	—
d1(E)	370	#5	5'-6"	—
d2(E)	248	#4	3'-5"	—
e(E)	80	#7	34'-5"	—
m(E)	16	#6	32'-2"	—
m1(E)	22	#6	6'-8"	—
m2(E)	8	#6	32'-0"	—
m3(E)	2	#6	6'-10"	—
m4(E)	2	#6	2'-5"	—
m5(E)	2	#6	2'-3"	—
m6(E)	14	#6	32'-4"	—
s(E)	69	#5	8'-2"	—
s1(E)	60	#4	12'-9"	—
s2(E)	60	#4	10'-5"	—
s3(E)	69	#5	7'-11"	—
v(E)	120	#5	3'-6"	—
Concrete Superstructure			Cu. Yd.	342.1
Reinforcement Bars, Epoxy Coated			Lbs.	63,750
Bar Splacers			Each	984
Protective Coat			Sq. Yd.	1,067
Bridge Deck Grooving			Sq. Yd.	740
Form Liner Textured Surface			Sq. Ft.	2,100



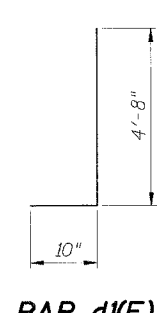
**SIDEWALK AND PARAPET SECTION**



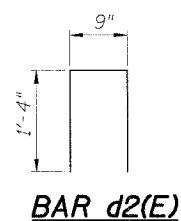
**BAR c(E)**



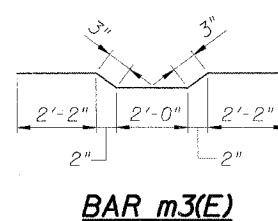
**BAR d(E)**



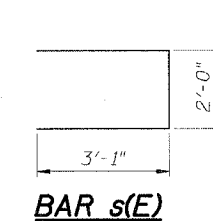
**BAR d1(E)**



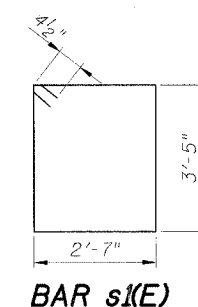
**BAR d2(E)**



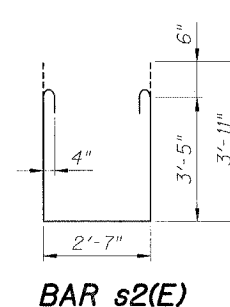
**BAR m3(E)**



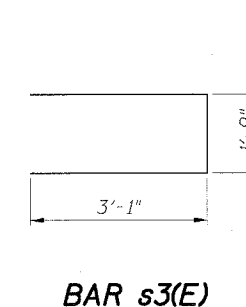
**BAR s(E)**



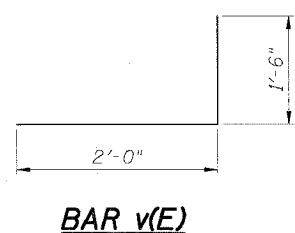
**BAR s1(E)**



**BAR s2(E)**



**BAR s3(E)**



**BAR v(E)**

REVISIONS	
NAME	DATE

ILLINOIS DEPARTMENT OF TRANSPORTATION  
DECK DETAILS  
FAP 350 IL ROUTE 50 (CICERO AVE.) OVER  
NORTH BRANCH OF THE CHICAGO RIVER  
COOK COUNTY STATION 23+65.80  
SECTION 57B-31  
STRUCTURE NO. 016-2782

SCALE: NONE DRAWN BY: M. Belton  
DATE: AUGUST 18, 2006 CHECKED BY: R. Clinton