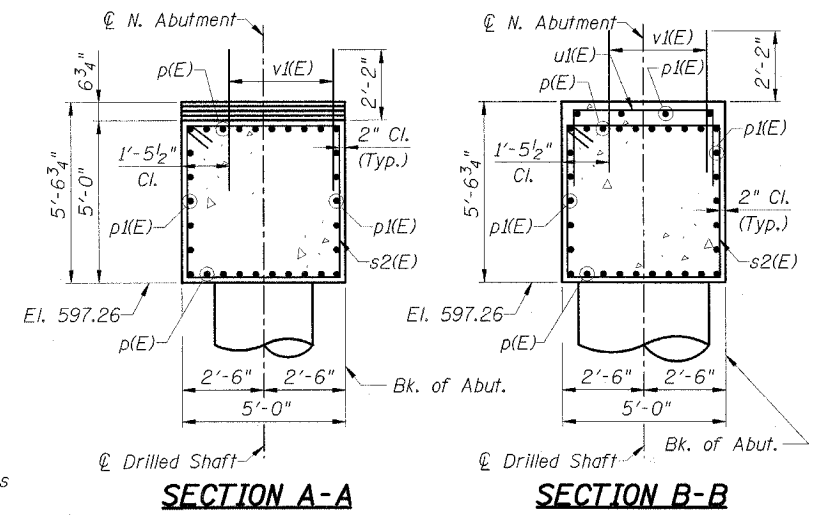
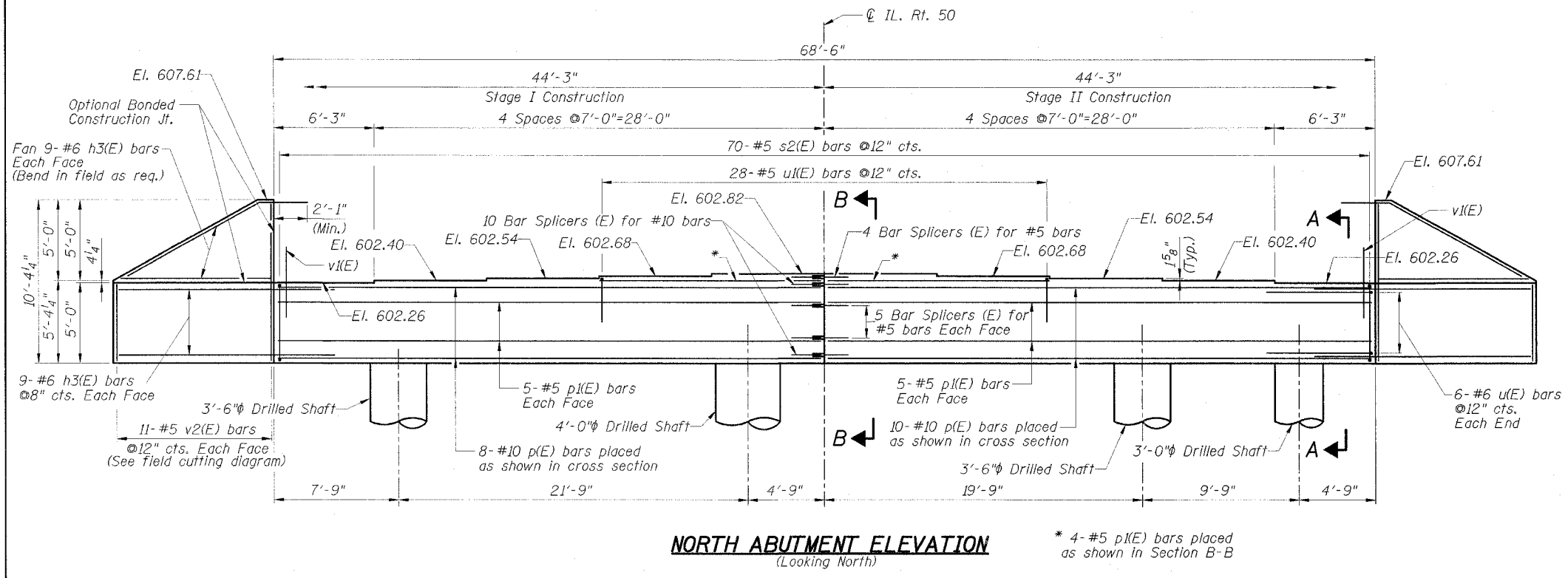


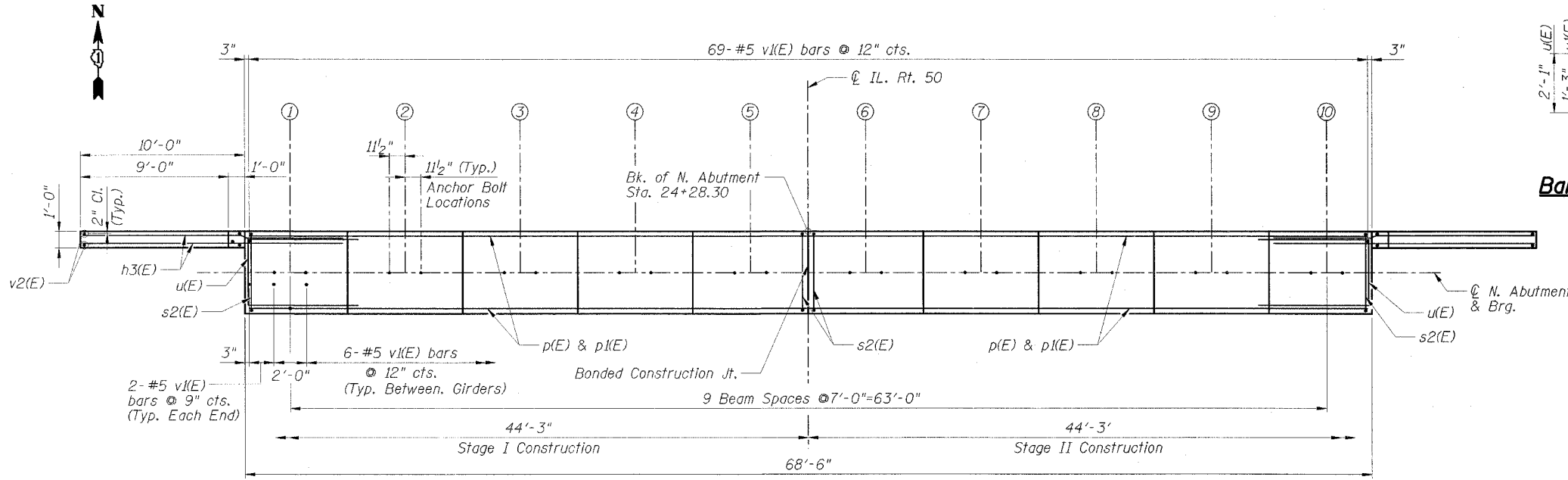
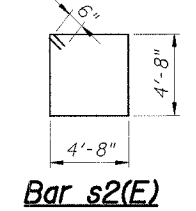
F.A.P. RTE.	SECTION	COUNTY	TOTAL SHEETS	SHEET NO.
350	57B-31	COOK	62	36
FED. ROAD DIST. NO. 7 ILLINOIS FED. AID PROJECT				

CONTRACT NO. 60440

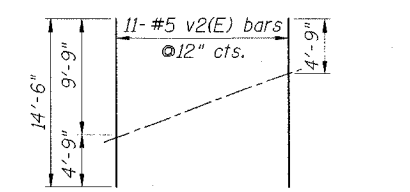


BILL OF MATERIAL

Bar	No.	Size	Length	Shape
h3(E)	72	#6	13'-0"	—
p(E)	40	#10	33'-11"	—
p(E)	28	#5	33'-11"	—
s2(E)	70	#5	19'-8"	□
u(E)	12	#6	8'-8"	□
u(E)	28	#5	6'-10"	□
v(E)	127	#5	4'-4"	—
v2(E)	22	#5	14'-6"	—
Structure Excavation		Cu. Yd.	274.9	
Concrete Structures		Cu. Yd.	72.8	
Reinforcement Bars, Epoxy Coated		Lbs.	10,930	
Bar Splicers		Each	34	
Porous Granular Embankment (Special)		Cu. Yd.	177.7	
Geocomposite Wall Drain		Sq. Yd.	81	
Pipe Underdrains for Structures 4"		Foot	115	



- Notes:**
1. For Anchor Bolt details see Sheet S13.
 2. For Drilled Shaft details see Sheet S3.
 3. Reinforcement bars designated (E) shall be epoxy coated.
 4. Space reinforcement to miss anchor bolts.
 5. Cast steps monolithically with abutment.
 6. For PGE and Filter Fabric details see Sheet S2.
 7. For Bar Splicer details see Sheet S14.



REVISIONS	
NAME	DATE

ILLINOIS DEPARTMENT OF TRANSPORTATION
 NORTH ABUTMENT
 FAP 350 IL ROUTE 50 (CICERO AVE.) OVER
 NORTH BRANCH OF THE CHICAGO RIVER
 COOK COUNTY STATION 23+65.80
 SECTION 57B-31
 STRUCTURE NO. 016-2782

SCALE: NONE
 DATE: AUGUST 18, 2006

DRAWN BY: M. Belton
 CHECKED BY: R. Clinton

