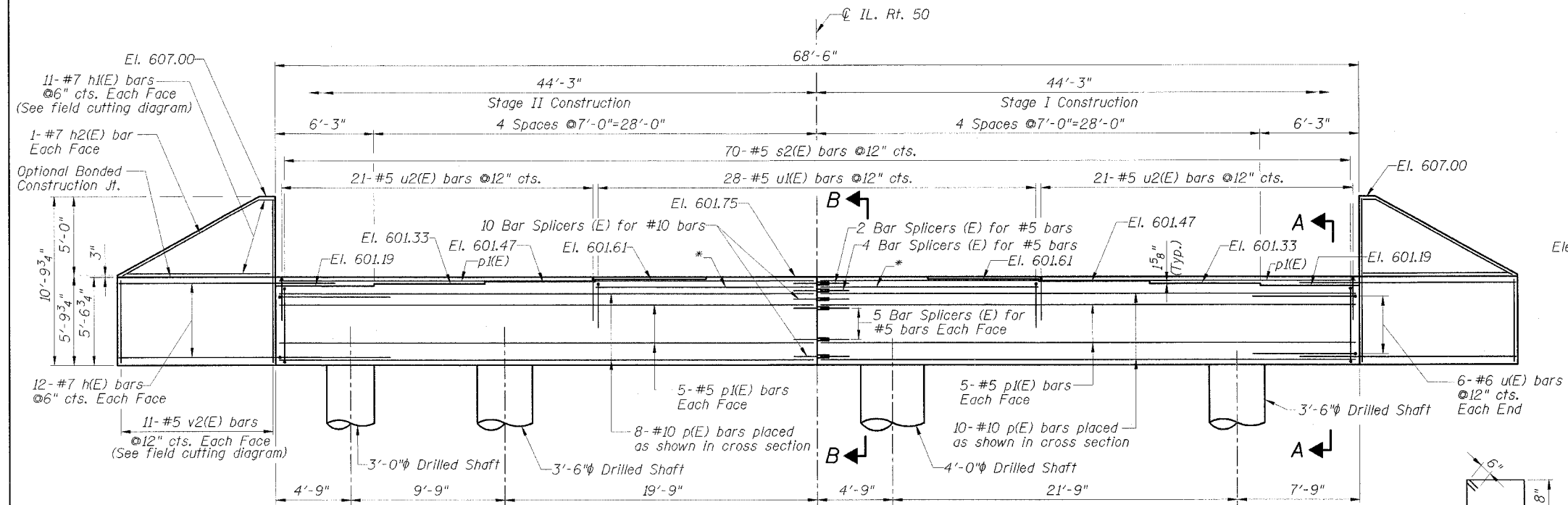
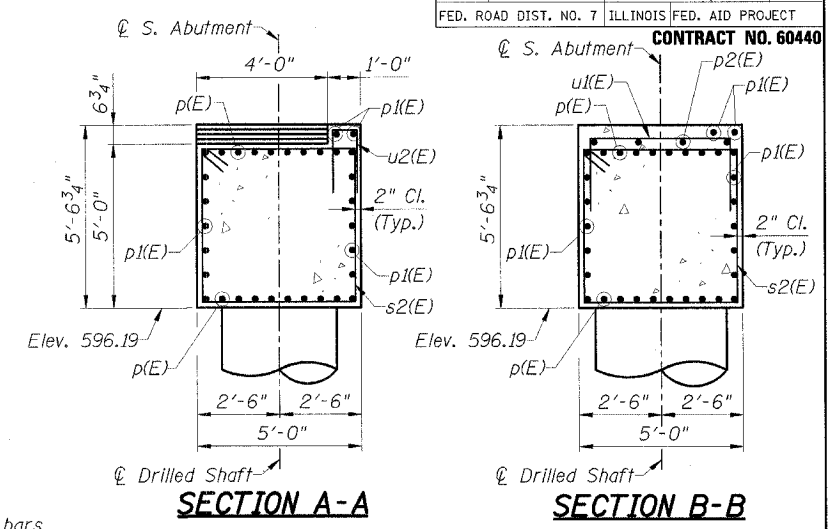


F.A.P. RTE.	SECTION	COUNTY	TOTAL SHEETS	SHEET NO.
350	57B-31	COOK	62	37
FED. ROAD DIST. NO. 7 ILLINOIS FED. AID PROJECT				

CONTRACT NO. 60440



SOUTH ABUTMENT ELEVATION
(Looking South)



SECTION A-A

SECTION B-B

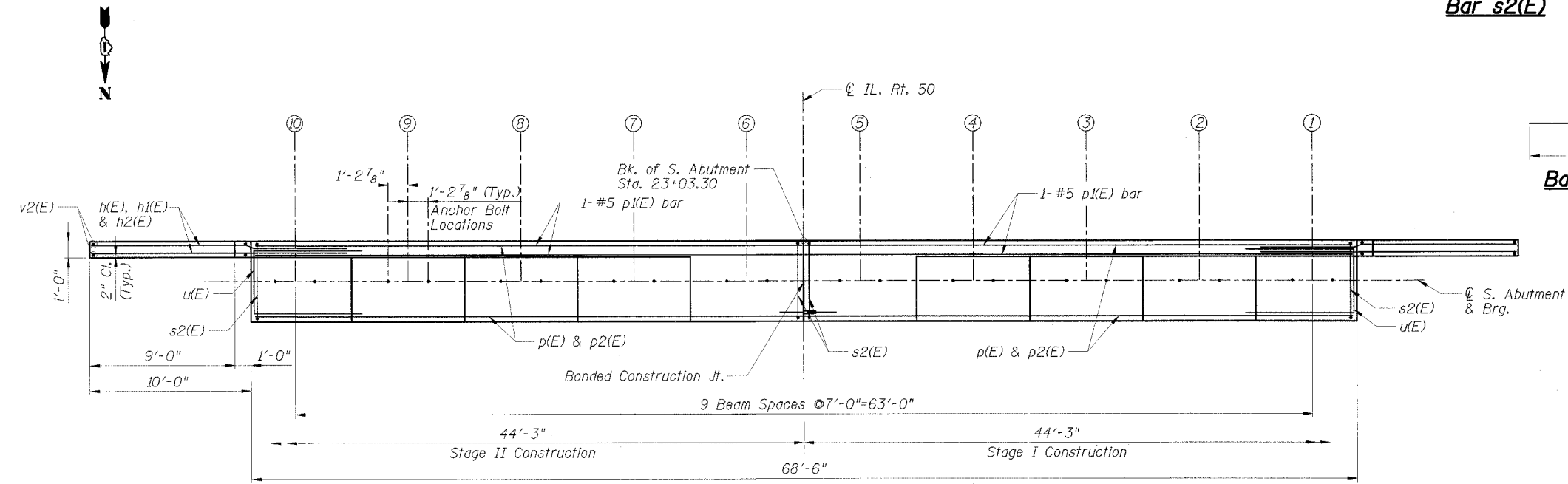
BILL OF MATERIAL

Bar No.	Size	Length	Shape
h1(E)	48 #7	12'-8"	—
h2(E)	22 #7	10'-4"	—
h(E)	4 #7	10'-8"	—
p1(E)	40 #10	33'-11"	—
p2(E)	24 #5	33'-11"	—
p(E)	8 #5	13'-8"	—
s2(E)	70 #5	19'-8"	□
u1(E)	12 #6	8'-8"	□
u2(E)	28 #5	6'-10"	□
u(E)	42 #5	4'-0"	□
v2(E)	22 #5	14'-6"	—
Structure Excavation	Cu. Yd.	321.1	
Concrete Structures	Cu. Yd.	73.9	
Reinforcement Bars, Epoxy Coated	Lbs.	10,890	
Bar Splicers	Each	36	
Porous Granular Embankment (Special)	Cu. Yd.	198.1	
Geocomposite Wall Drain	Sq. Yd.	87	
Pipe Underdrains for Structures 4"	Foot	120	

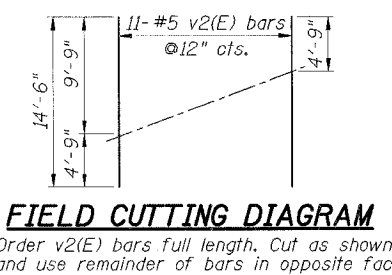
Bar s2(E)

Bars u1(E), u2(E) & u(E)

Bar h2(E)

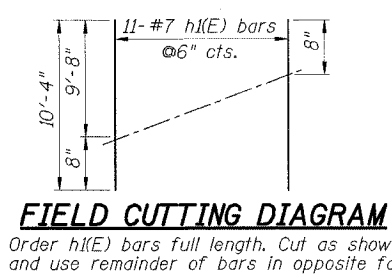


PLAN



FIELD CUTTING DIAGRAM

Order v2(E) bars full length. Cut as shown and use remainder of bars in opposite face.



FIELD CUTTING DIAGRAM

Order h1(E) bars full length. Cut as shown and use remainder of bars in opposite face.

- Notes:**
1. For Anchor Bolt details see Sheet S13.
 2. For Drilled Shaft details see Sheet S3.
 3. Reinforcement bars designated (E) shall be epoxy coated.
 4. Space reinforcement to miss anchor bolts.
 5. Cast steps monolithically with abutment.
 6. For PGE and Filter Fabric details see Sheet S2.
 7. For Bar Splicer details see Sheet S14.



REVISIONS	
NAME	DATE

ILLINOIS DEPARTMENT OF TRANSPORTATION
SOUTH ABUTMENT
FAP 350 IL ROUTE 50 (CICERO AVE.) OVER
NORTH BRANCH OF THE CHICAGO RIVER
COOK COUNTY STATION 23+65.80
SECTION 57B-31
STRUCTURE NO. 016-2782

SCALE: NONE
DATE: AUGUST 18, 2006
DRAWN BY: M. Belton
CHECKED BY: R. Clinton