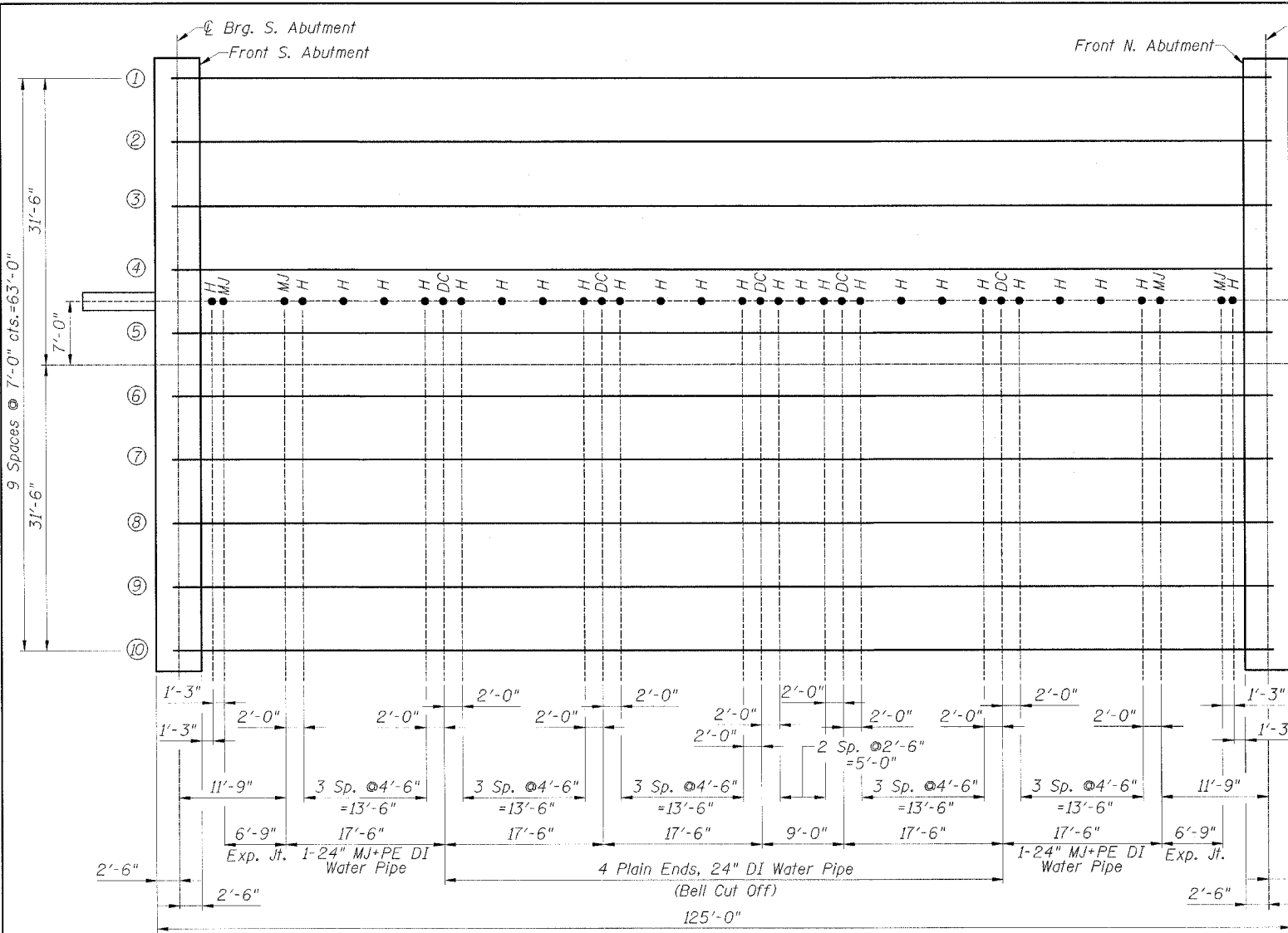
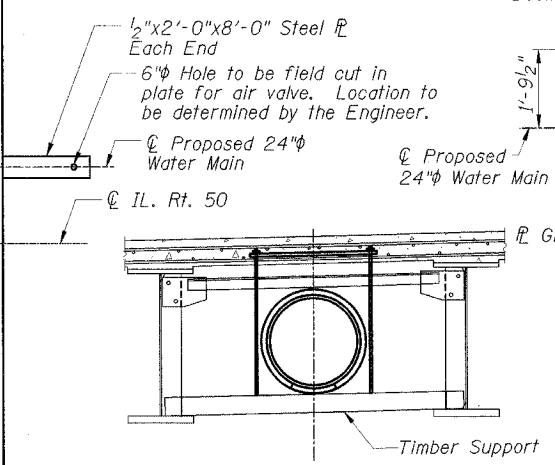


F.A.P. RTE.	SECTION	COUNTY	TOTAL SHEETS	SHEET NO.
350	57B-31	COOK	62	42
FED. ROAD DIST. NO. 7 ILLINOIS FED. AID PROJECT				

CONTRACT NO. 60440

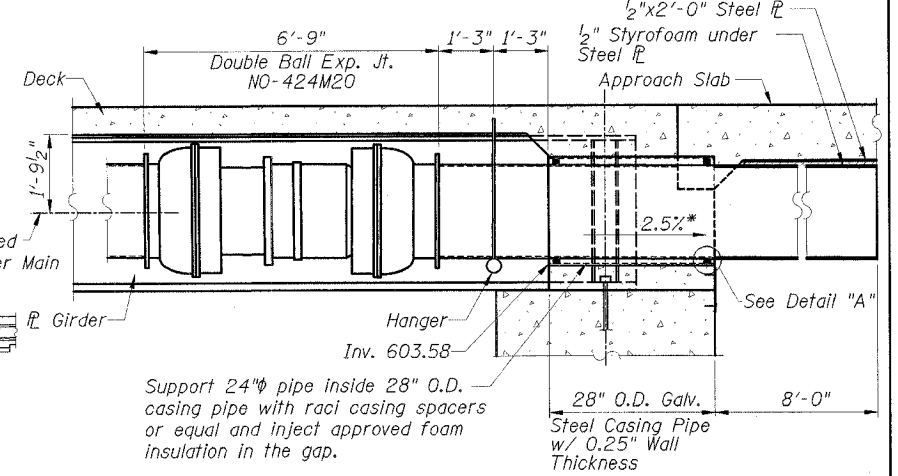


PLAN

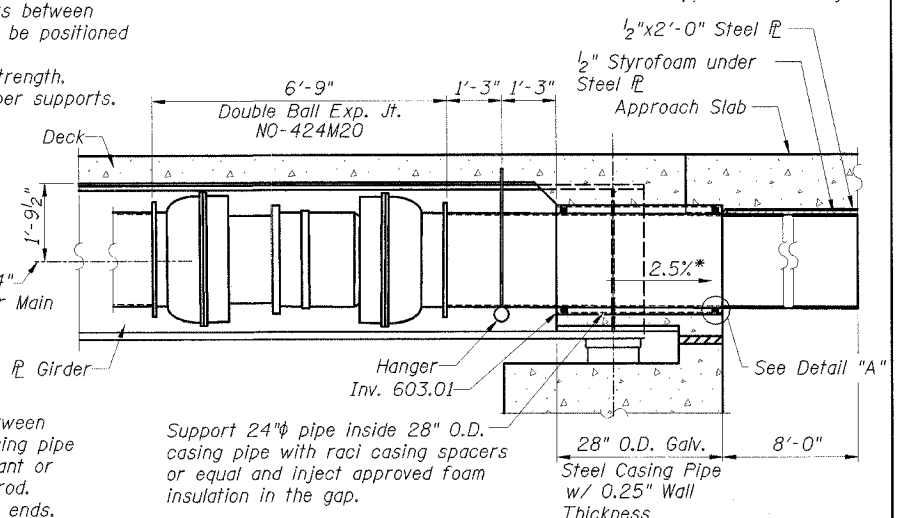


1. Set water main on temporary timber supports between girders prior to deck pour. Water main must be positioned at its final horizontal alignment.
2. After deck has achieved full compressive strength, attach pipe roller and remove temporary timber supports.

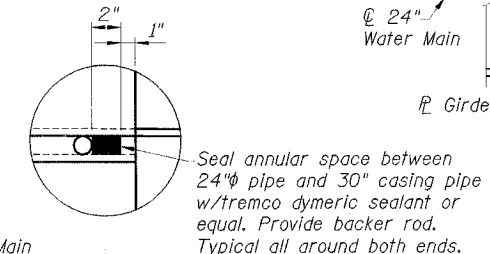
TEMP. HANGER DETAIL



WATER MAIN EXPANSION JOINT DETAIL AT NORTH ABUTMENT



WATER MAIN EXPANSION JOINT DETAIL AT SOUTH ABUTMENT



DETAIL "A"

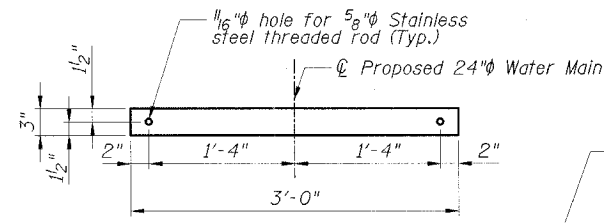
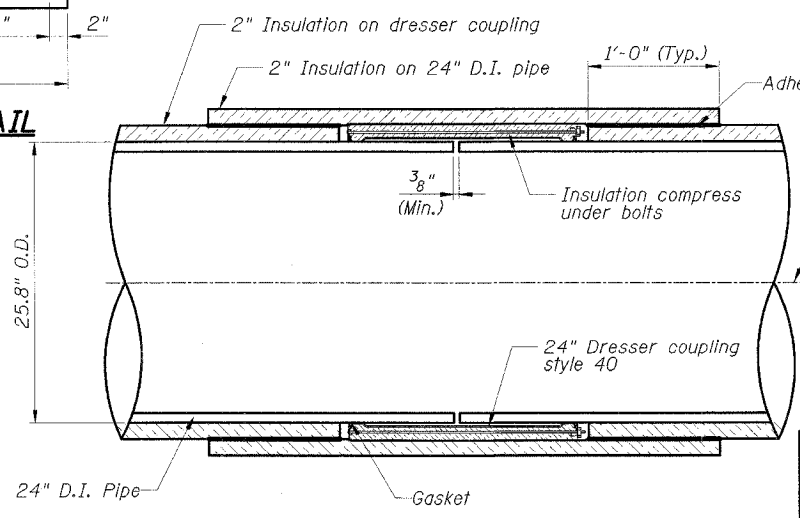
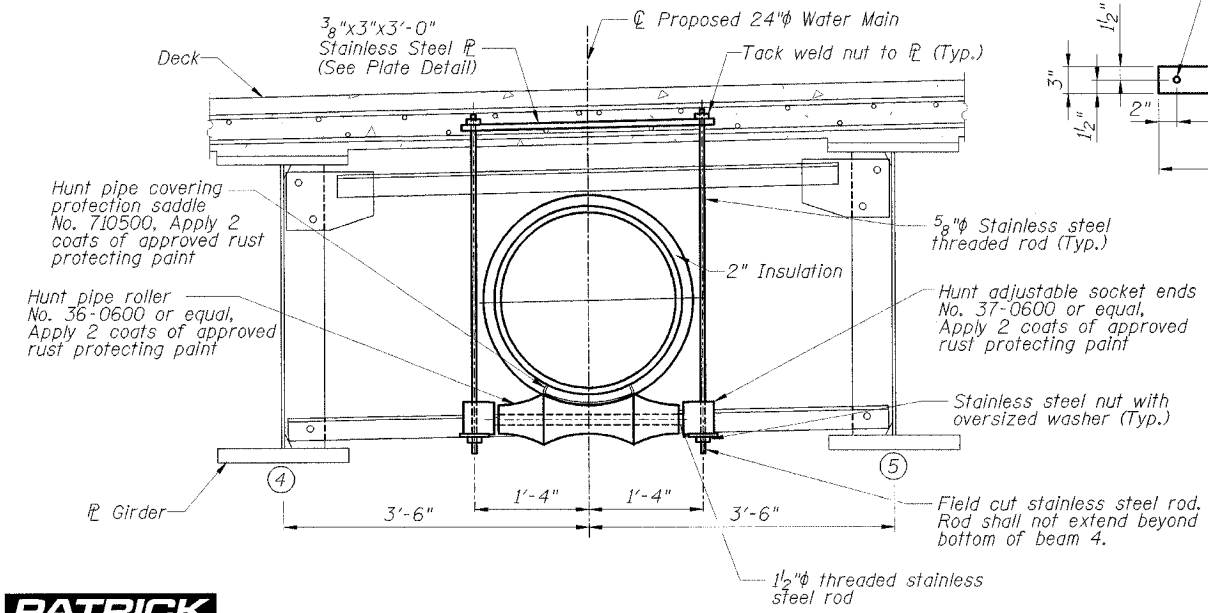


PLATE DETAIL



WATER MAIN INSULATION DETAIL



HANGER DETAIL

LEGEND

- DC - Dresser Coupling
- MJ - Mechanical Joint
- H - Hanger Location
- Exp. Jt. - Expansion Joint
- P.E. - Plain End

REVISIONS

NAME	DATE

ILLINOIS DEPARTMENT OF TRANSPORTATION
 WATER MAIN DETAILS
 FAP 350 IL ROUTE 50 (CICERO AVE.) OVER
 NORTH BRANCH OF THE CHICAGO RIVER
 COOK COUNTY STATION 23+65.80
 SECTION 57B-31
 STRUCTURE NO. 016-2782

SCALE: NONE
 DATE: AUGUST 18, 2006
 DRAWN BY: M. Belton
 CHECKED BY: R. Clinton