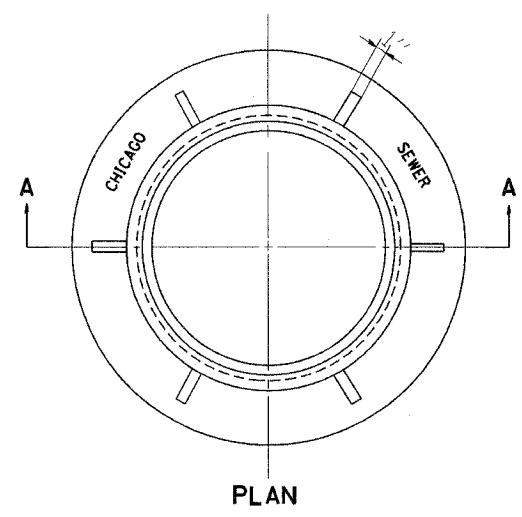
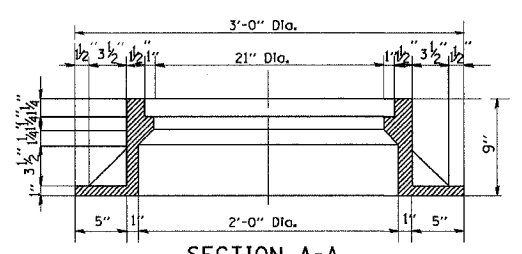


CONTRACT NO.			
F.A. RTE.	SECTION	COUNTY	TOTAL SHEETS
			62
STA.	TO STA.		SHEET NO.
FED. ROAD DIST. NO.	ILLINOIS	FED. AID PROJECT	59



PLAN

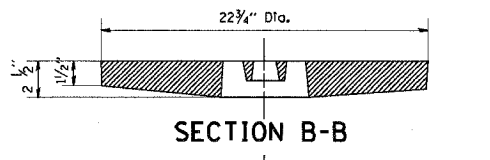


SECTION A-A

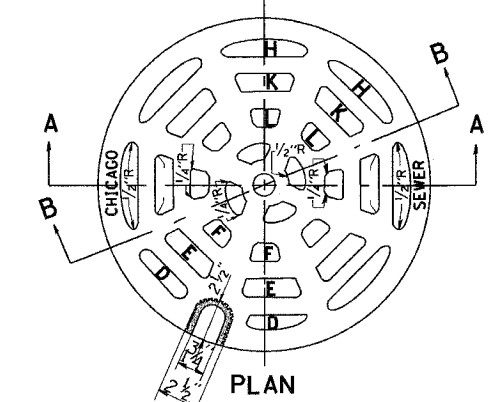
NOTE: Metal Plates Must Be Furnished For Perforated Lids On Manholes

**CHICAGO STANDARD MANHOLE FRAME**

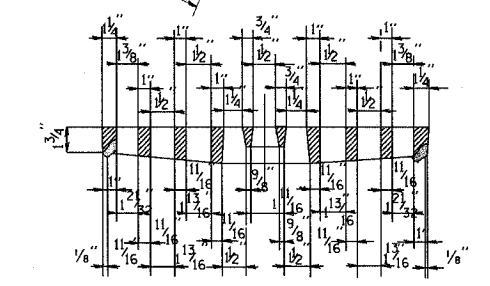
Scale: 1/2"=1'-0"  
Material: Cast Iron



SECTION B-B



PLAN



SECTION A-A

**PERFORATED LID FOR CATCH BASINS & MANHOLES**

Scale: 2"=1'-0"  
Material: Cast Iron

SECTION D-D

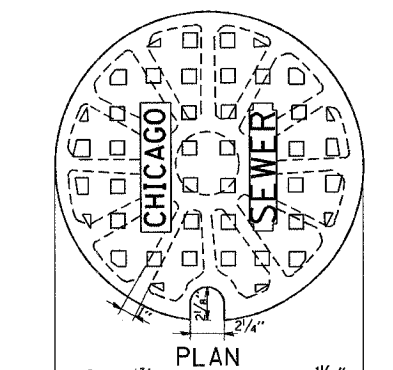
SECTION E-E

SECTION F-F

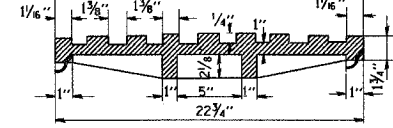
SECTION H-H

SECTION K-K

SECTION L-L



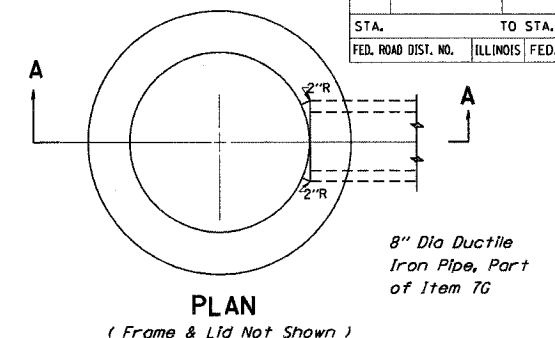
PLAN



SECTION

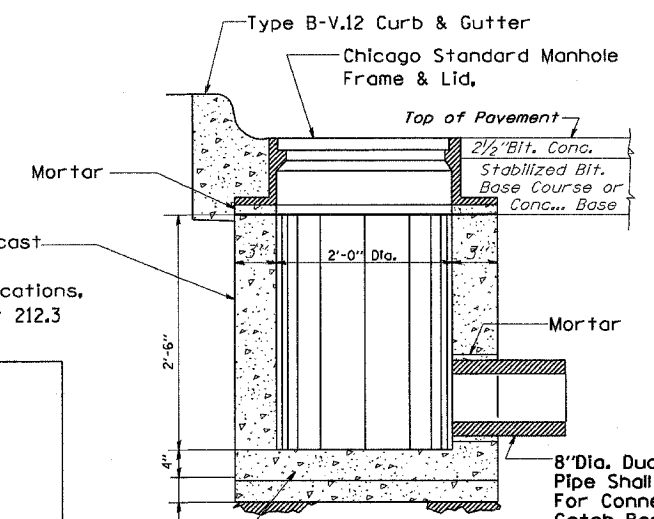
**SOLID LID FOR MANHOLES**

Scale: NONE  
Material: Cast Iron



PLAN

(Frame & Lid Not Shown)

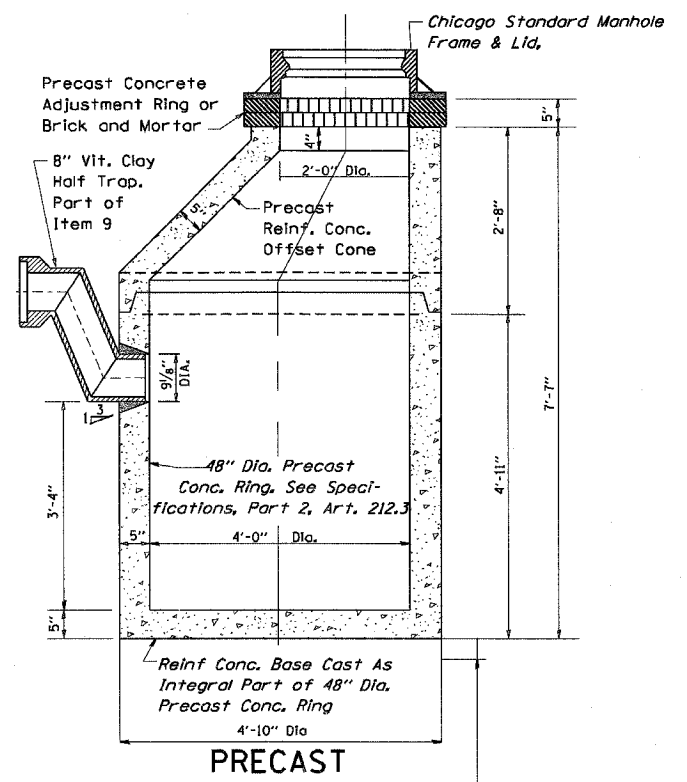


SECTION A-A

**STANDARD INLETS**

Scale 1"=1'-0"  
Item 12  
This Inlet Detail Is Sometimes Referred To As "Chicago Standard Inlet, Type A"

NOTE:  
INLETS SHALL NOT BE CONSTRUCTED UNLESS IT IS IMPOSSIBLE TO CONSTRUCT A CATCH BASIN. THE CONTRACTOR SHALL HAVE THE DEPARTMENT OF SEWERS APPROVAL BEFORE CONSTRUCTING INLETS

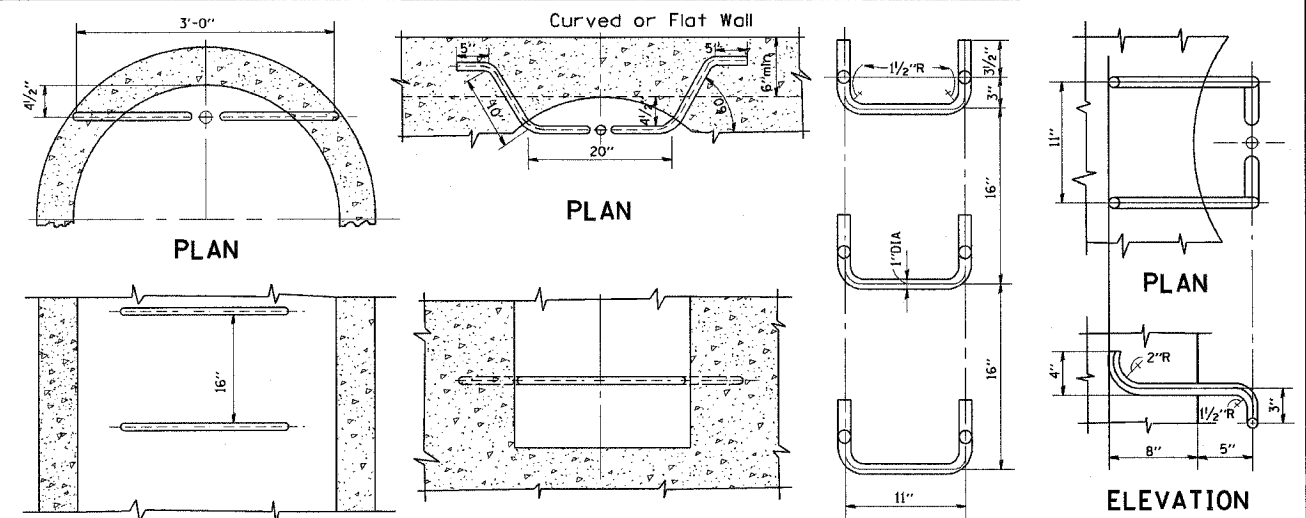


PRECAST

Note:  
6" Minimum Granular Embedment Under All Catch Basins

**STANDARD CATCH BASINS**

Scale: 3/4"=1'-0"  
Item 9



ELEVATION TYPE X

ELEVATION TYPE Y

SPACING HANDHOLD-TYPE Z RUNG

**STANDARD LADDER RUNGS**

All Ladder Rungs Shall Be Aluminum or Galvanized Wrought Iron As Specified in Specifications, Part 2, Article 214.2. Rungs Shall Be 1" Diameter or of A Shape Having An Equivalent Cross-Sectional Area

REVISIONS	
NAME	DATE
M. COMEZ	01/25/01

CITY OF CHICAGO  
DEPARTMENT OF SEWERS  
ENGINEERING DIVISION

ILLINOIS DEPARTMENT OF TRANSPORTATION

**CITY OF CHICAGO CATCH BASIN, INLET AND MANHOLE DETAILS**

SCALE: VERT. DATE: 2/15/2006

DRAWN BY  
CHECKED BY

BD600-13 (BD47)  
REVISION DATE: 01/25/01

PLOT DATE = 2/16/2006  
FILE NAME = M:\data\chicago\bd47.dwg  
PLOT SCALE = 483999.7 IN.  
USER NAME = gregmason