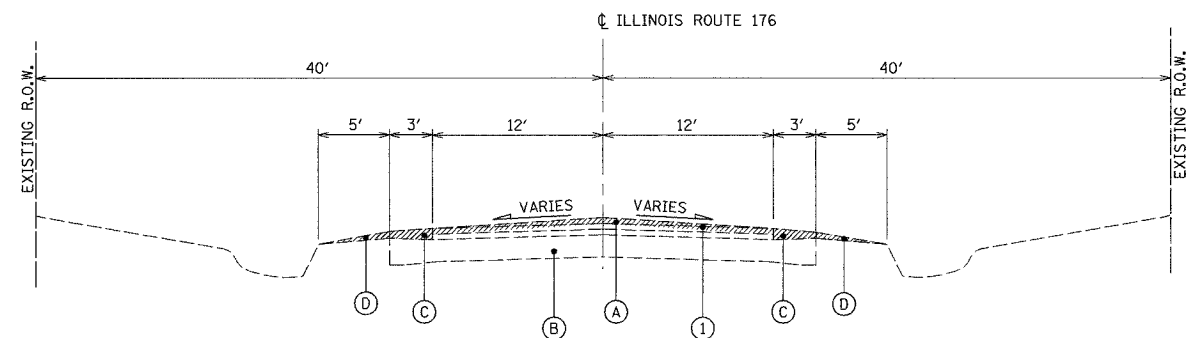
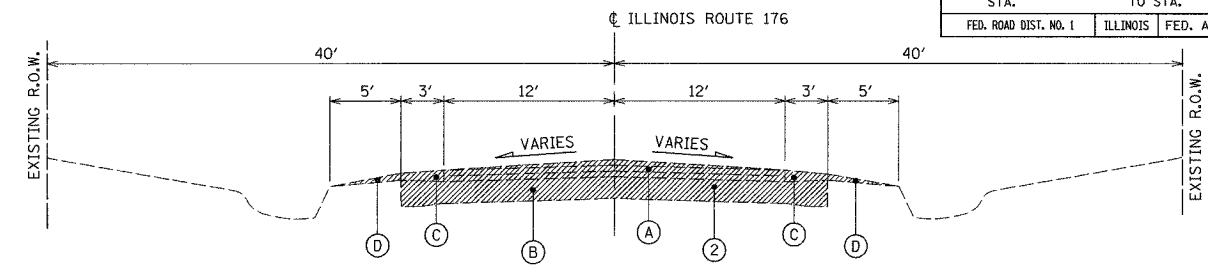


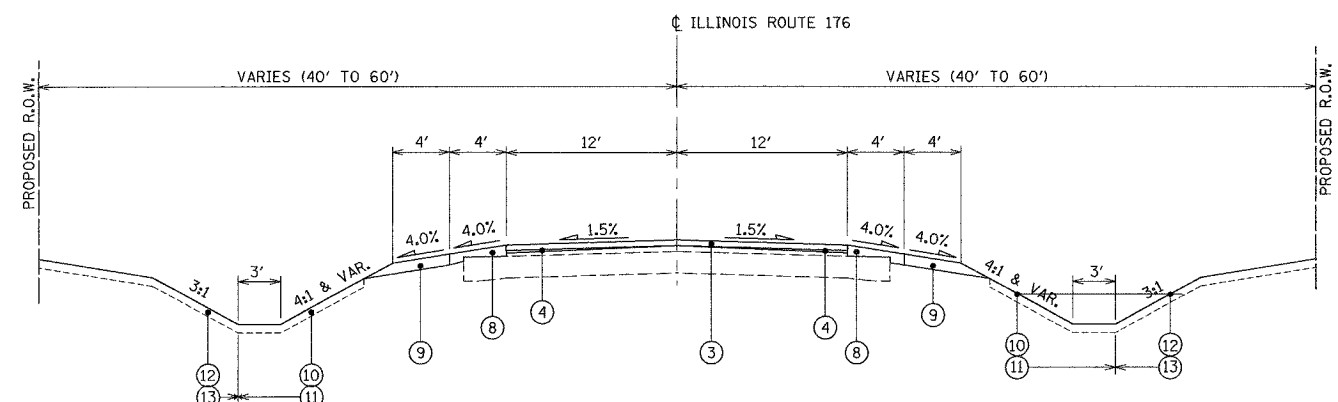
F.A. ROUTE NO.	SECTION	COUNTY	TOTAL SHEETS	SHEET NO.
533	119R-1-B	McHENRY	77	7
STA. 533+00 TO STA. 667+00		ILLINOIS FED. AID PROJECT		



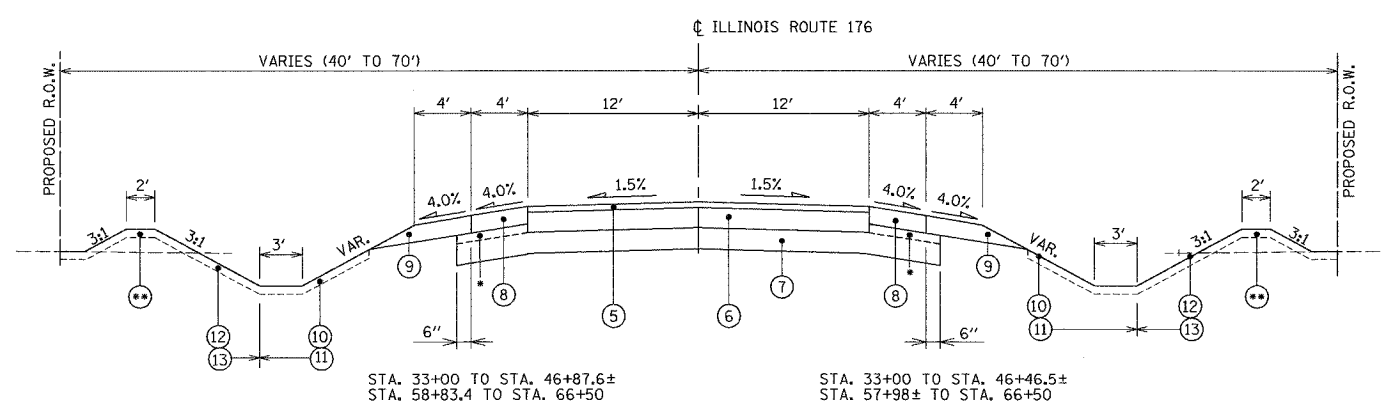
**EXISTING TYPICAL SECTION**  
 STA. 28+50 TO STA. 33+00  
 STA. 66+50 TO STA. 67+50



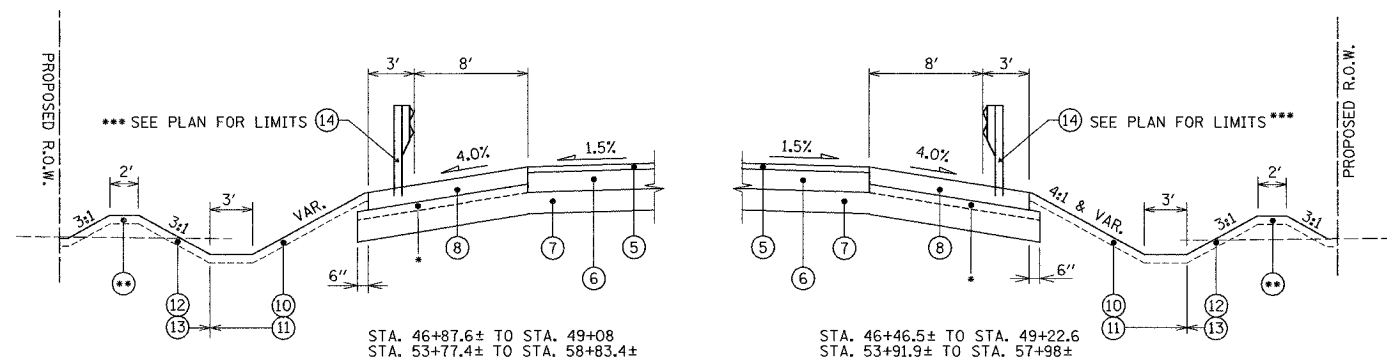
**EXISTING TYPICAL SECTION**  
 STA. 33+00 TO STA. 49+45  
 STA. 53+55 TO STA. 66+50



**PROPOSED TYPICAL SECTION**  
 STA. 28+50 TO STA. 33+00  
 STA. 66+50 TO STA. 67+50



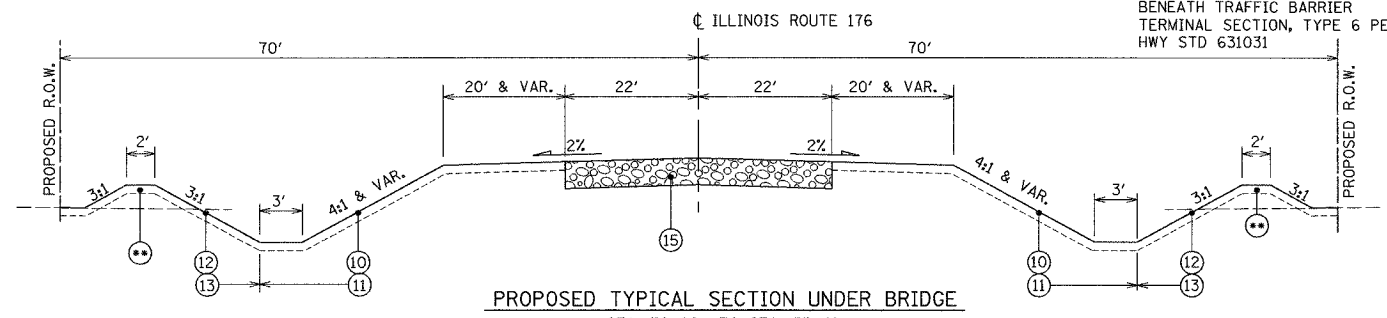
STA. 33+00 TO STA. 46+87.6±  
 STA. 58+83.4 TO STA. 66+50



STA. 46+87.6± TO STA. 49+08  
 STA. 53+77.4± TO STA. 58+83.4±

**PROPOSED TYPICAL SECTION**  
 STA. 33+00 TO STA. 49+15.34  
 STA. 53+84.66 TO STA. 66+50

- ADDITIONAL AGGREGATE THICKNESS INCIDENTAL TO (7)
- SEE CROSS SECTIONS FOR BERM LIMITS
- PROVIDE CONCRETE CURB, TYPE B BENEATH TRAFFIC BARRIER TERMINAL SECTION, TYPE 6 PER HWY STD 631031



**PROPOSED TYPICAL SECTION UNDER BRIDGE**  
 STA. 50+00± TO STA. 53+40±

**LEGEND :**

- |   |  |
|---|--|
| <p><b>EXISTING CONDITIONS:</b></p> <ul style="list-style-type: none"> <li>(A) HOT MIX ASPHALT SURFACE ± 5"</li> <li>(B) P.C.C. BASE COURSE (VARIES 7"-9")</li> <li>(C) HOT MIX ASPHALT SHOULDER (DEPTH VARIES)</li> <li>(D) AGGREGATE SHOULDER</li> <li>▨ ITEM TO BE REMOVED</li> </ul> | <p><b>PROPOSED IMPROVEMENTS:</b></p> <ul style="list-style-type: none"> <li>(1) HMA SURFACE REMOVAL, 3"</li> <li>(2) PAVEMENT REMOVAL</li> <li>(3) HOT MIX ASPHALT SURFACE COURSE, MIX "D", N50, 2"</li> <li>(4) LEVELING BINDER (MACHINE METHOD), N50 (1" &amp; VARIES)</li> <li>(5) HOT MIX ASPHALT SURFACE COURSE, MIX "D", N50, 2"</li> <li>(6) HOT MIX ASPHALT BINDER COURSE, IL-19, N50, 11"</li> <li>(7) AGGREGATE SUBGRADE, 12"</li> <li>(8) HOT MIX ASPHALT SHOULDER, 8"</li> <li>(9) AGGREGATE SHOULDER, TYPE B, 8"</li> <li>(10) TOPSOIL FURNISH AND PLACE, 4"</li> <li>(11) SEEDING CLASS 2A AND EROSION CONTROL BLANKET</li> <li>(12) COMPOST FURNISH AND PLACE, 2"</li> <li>(13) SEEDING CLASS 3 &amp; 5A</li> <li>(14) STEEL PLATE BEAM GUARDRAIL, TYPE A</li> <li>(15) RIP RAP CLASS A3, 8"</li> </ul> |
|---|--|

REVISIONS		ILLINOIS DEPARTMENT OF TRANSPORTATION ILLINOIS ROUTE 176 OVER THE SOUTH BRANCH OF THE KISHWAUKEE RIVER <b>TYPICAL SECTIONS</b>
NAME	DATE	
		SCALE: VERT. N.T.S. HORIZ. DATE: 6-04-07
		DRAWN BY: WS CHECKED BY: RJS
		GRAEF, ANHALT, SCHLOEMER & ASSOCIATES, INC. CHICAGO, ILLINOIS