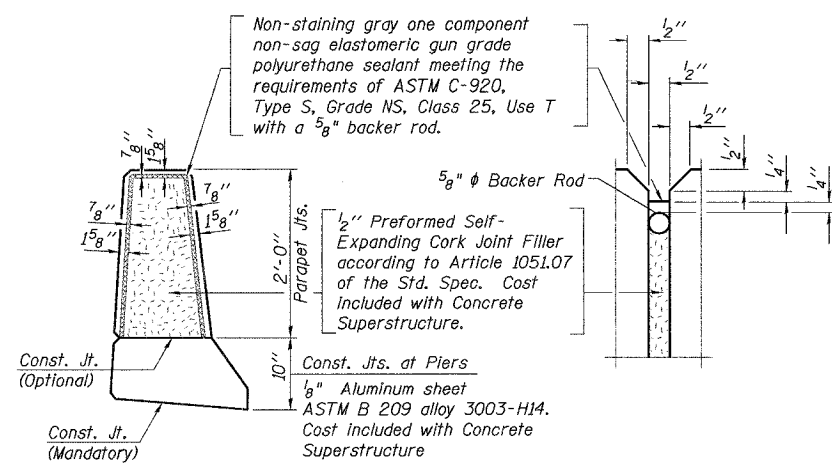
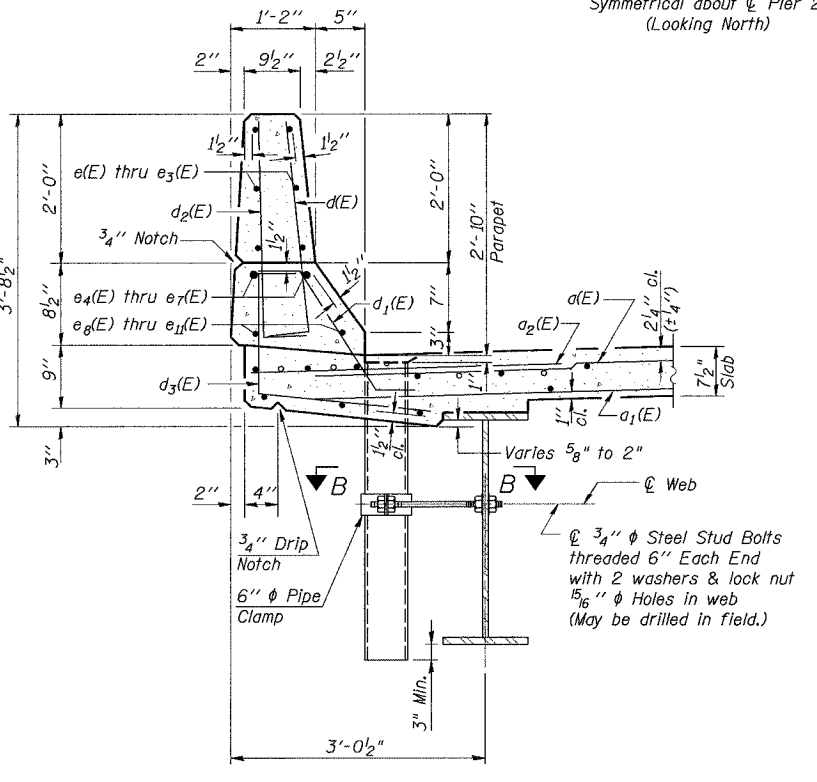


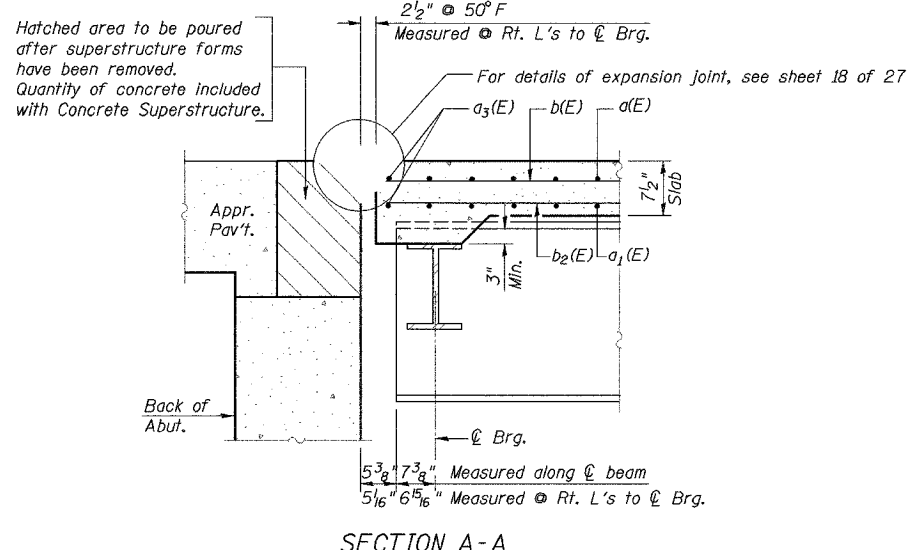
HALF PARAPET INSIDE ELEVATION
Symmetrical about \bar{C} Pier 2
(Looking North)



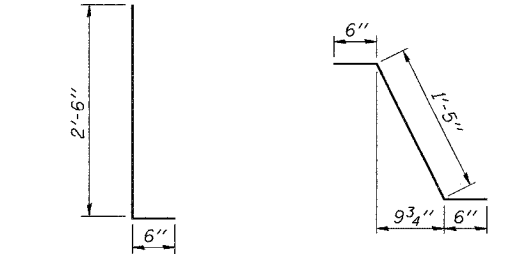
PARAPET JOINT DETAILS



SECTION THRU PARAPET

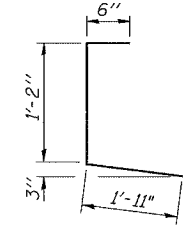


SECTION A-A



BARS d(E) & d2(E)

BAR d1(E)



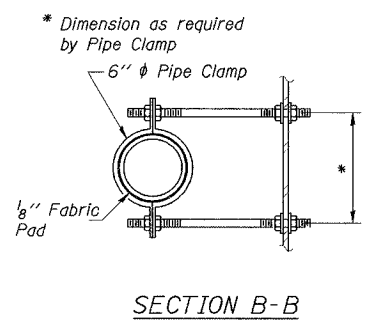
BAR d3(E)

**SUPERSTRUCTURE
BILL OF MATERIAL**

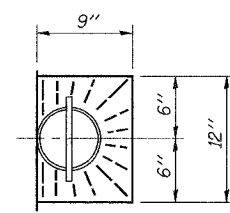
Bar	No.	Size	Length	Shape
a(E)	812	#5	42'-6"	
a1(E)	573	#5	42'-2"	
a2(E)	812	#6	6'-0"	
a3(E)	4	#5	44'-3"	
b(E)	690	#5	29'-1"	
b1(E)	258	#6	21'-5"	
b2(E)	656	#5	27'-5"	
b3(E)	43	#6	43'-4"	
d(E)	886	#5	3'-0"	
d1(E)	886	#5	2'-5"	
d2(E)	886	#4	3'-0"	
d3(E)	886	#4	3'-7"	
e(E)	120	#4	16'-9"	
e1(E)	48	#4	15'-10"	
e2(E)	96	#4	18'-0"	
e3(E)	24	#4	11'-2"	
e4(E)	24	#8	31'-6"	
e5(E)	16	#8	15'-10"	
e6(E)	24	#8	27'-4"	
e7(E)	8	#8	11'-2"	
e8(E)	24	#5	29'-11"	
e9(E)	16	#5	15'-10"	
e10(E)	24	#5	25'-10"	
e11(E)	8	#5	11'-2"	
Floor Drains				Each 47
Concrete Superstructure				Cu. Yd. 509.0
Bridge Deck Grooving				Sq. Yd. 1,803
Protective Coat				Sq. Yd. 2,139
Reinforcement Bars, Epoxy Coated				Pound 138,010

Reinforcement bars designated (E) shall be epoxy coated.
Bars indicated thus 1 x 3-#5 etc. indicates 1 line of bars with 3 lengths per line.

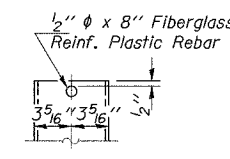
DESIGNED	S.D.H.
CHECKED	S.S.T.
DRAWN	E.B.
CHECKED	S.D.H.



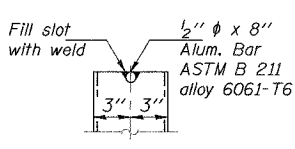
SECTION B-B



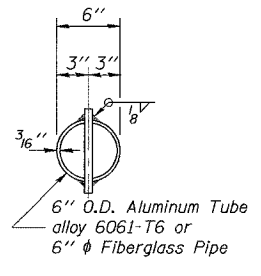
TOP PLAN



FIBERGLASS PIPE



ALUMINUM TUBE



TOP PLAN (Showing Aluminum Tube)

Notes:
The exterior surfaces of the floor drains shall be painted with the finish coat as specified in the special provisions for Cleaning and Painting New Metal Structures. The exterior surfaces of the drains shall be cleaned according to Steel Structures Painting Council's Spec. SSPC-SPI prior to painting.
Fiberglass pipe shall conform to ASTM D 2996, with short-time rupture strength hoop tensile stress of 30,000 p.s.i. minimum.

DECK DETAILS
IL Route 176 over
South Branch of the Kishwaukee River
F.A.P. RTE 533, SECTION 119R-1-B
McHENRY COUNTY
STATION 51+50.00
S.N. 056-0071
DATE: 08-17-07
GRAEF, ANHALT, SCHLOEMER & ASSOCIATES INC
CHICAGO ILLINOIS