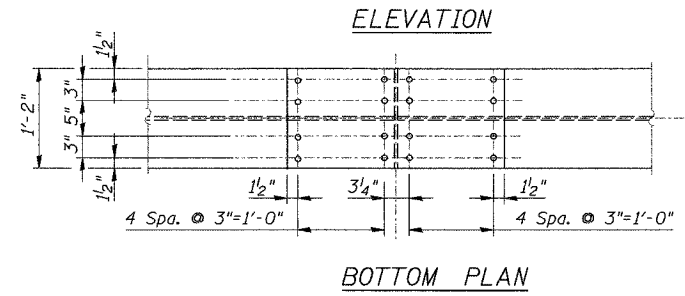
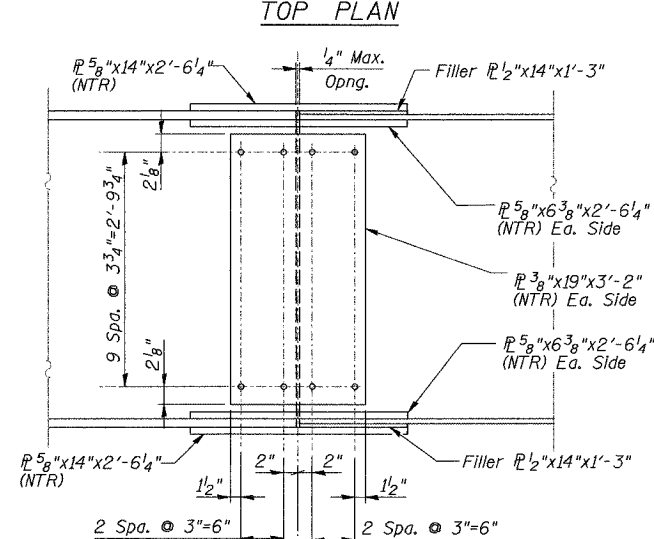
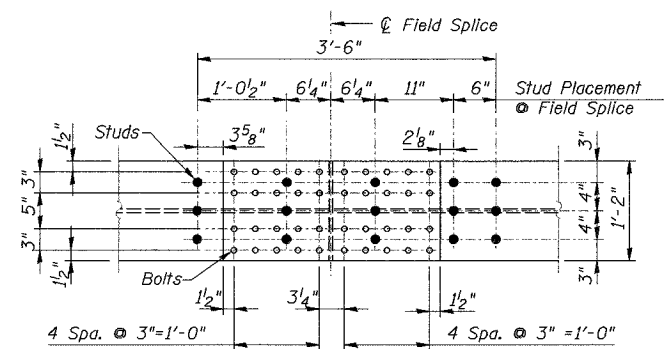
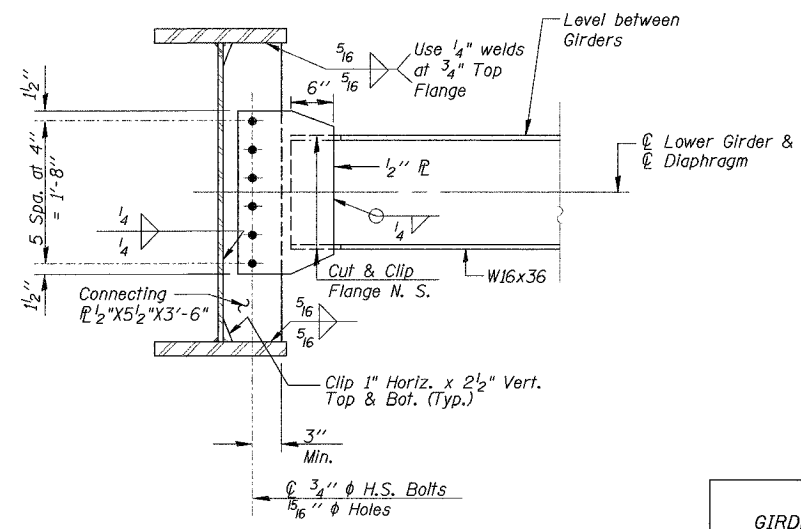
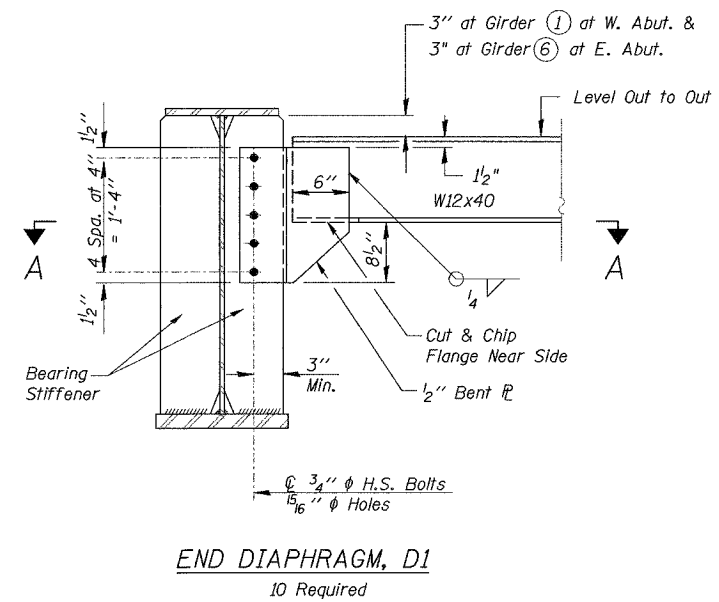
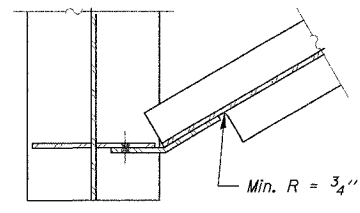


FIELD SPLICE #1  
FIELD SPLICE #4 (OPP. HAND)



FIELD SPLICE #2  
FIELD SPLICE #3 (OPP. HAND)

- Notes:
- Two hardened washers shall be required over all oversized holes.
  - All Structural Steel on this Sheet shall be AASHTO M270 Grade 50 except diaphragms and diaphragm connecting plates which shall be AASHTO M270 Grade 36.
  - Load carrying components designated "NTR" shall conform to the Supplemental Requirements for Notch Toughness, Zone 2.



GIRDER AND FRAMING DETAILS  
IL Route 176 over  
South Branch of the Kishwaukee River  
F.A.P. RTE 533, SECTION 119R-1-B  
McHENRY COUNTY  
STATION 51+50.00  
DATE: 08-17-07 S.N. 056-0071  
GRAEF, ANHALT, SCHLOEMER & ASSOCIATES INC  
CHICAGO ILLINOIS

DESIGNED	S.S.T.
CHECKED	S.D.H.
DRAWN	E.B.
CHECKED	S.S.T.