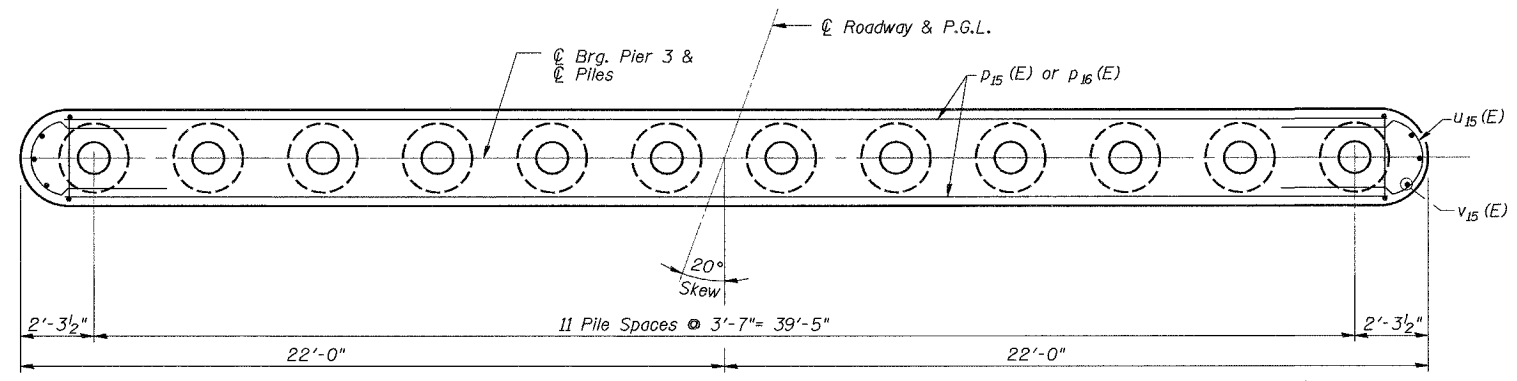
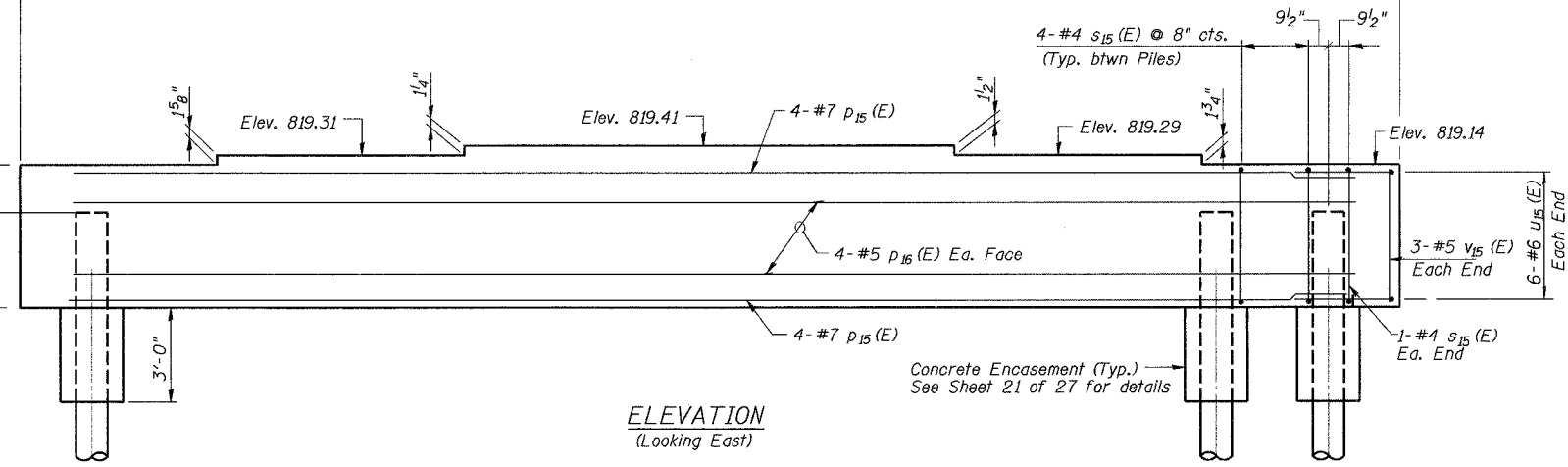
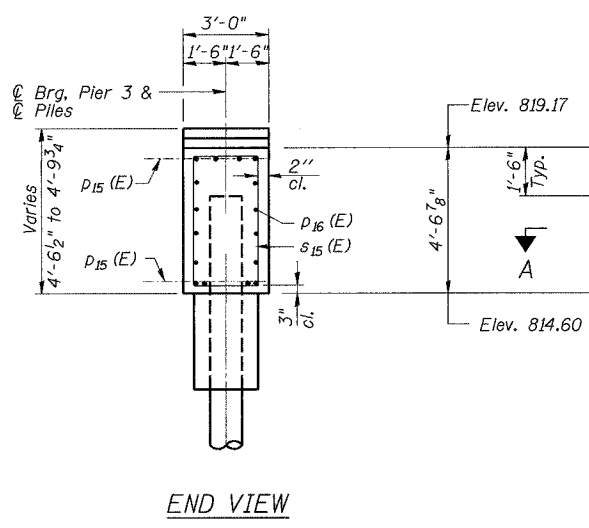
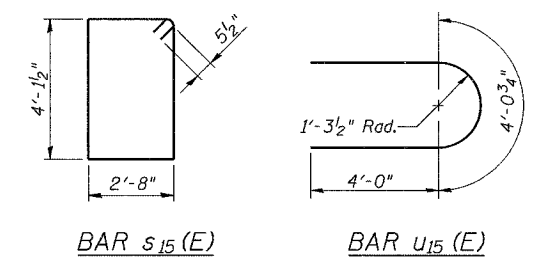
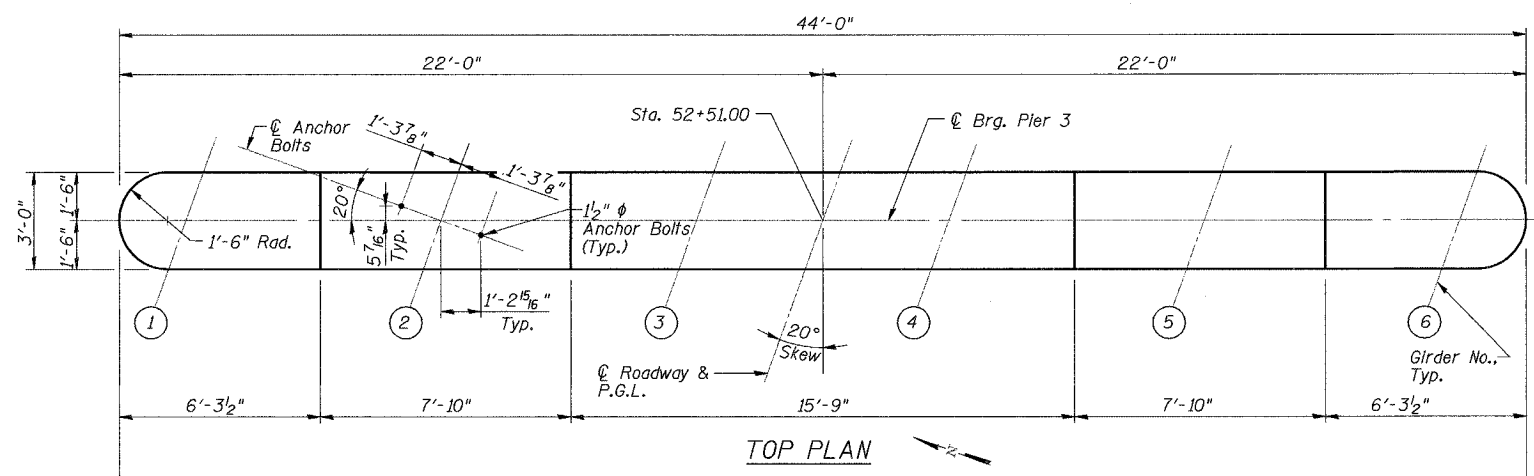


Contract #62340



PILE DATA
 Pile Type and Size: Metal Shell 14" dia. x 1/4" Walls
 Nominal Required Bearing: 390 kips
 Allowable Resistance Available: 130 kips
 Estimated Pile Length: 41 ft.
 Number of Production Piles: 11
 Number of Test Piles: 1

DESIGNED	S.S.T.
CHECKED	S.D.H.
DRAWN	E.B.
CHECKED	S.S.T.

- Notes:
1. Space reinforcement in cap to miss anchor bolts.
 2. Pour steps monolithically with cap.

BILL OF MATERIAL

Bar	No.	Size	Length	Shape
p15 (E)	8	#7	41'-0"	—
p16 (E)	8	#5	41'-0"	—
s15 (E)	46	#4	14'-6"	□
u15 (E)	12	#6	12'-1"	—
v15 (E)	6	#5	4'-1"	—
Structure Excavation		Cu. Yd.	52	
Concrete Structures		Cu. Yd.	22.4	
Concrete Encasement		Cu. Yd.	3.9	
Reinforcement Bars, Epoxy Coated		Pound	1,700	
Furnishing Metal Shell Piles 14" x 0.250"		Foot	451	
Driving Piles		Foot	451	
Test Pile Metal Shells		Each	1	

Reinforcement Bars designated (E) shall be epoxy coated.

PIER 3
 IL Route 176 over
 South Branch of the Kishwaukee River
 F.A.P. RTE 533, SECTION 119R-1-B
 McHENRY COUNTY
 STATION 51+50.00
 DATE: 08-17-07 S.N. 056-0071
 GRAEF, ANHALT, SCHLOEMER & ASSOCIATES INC
 CHICAGO ILLINOIS